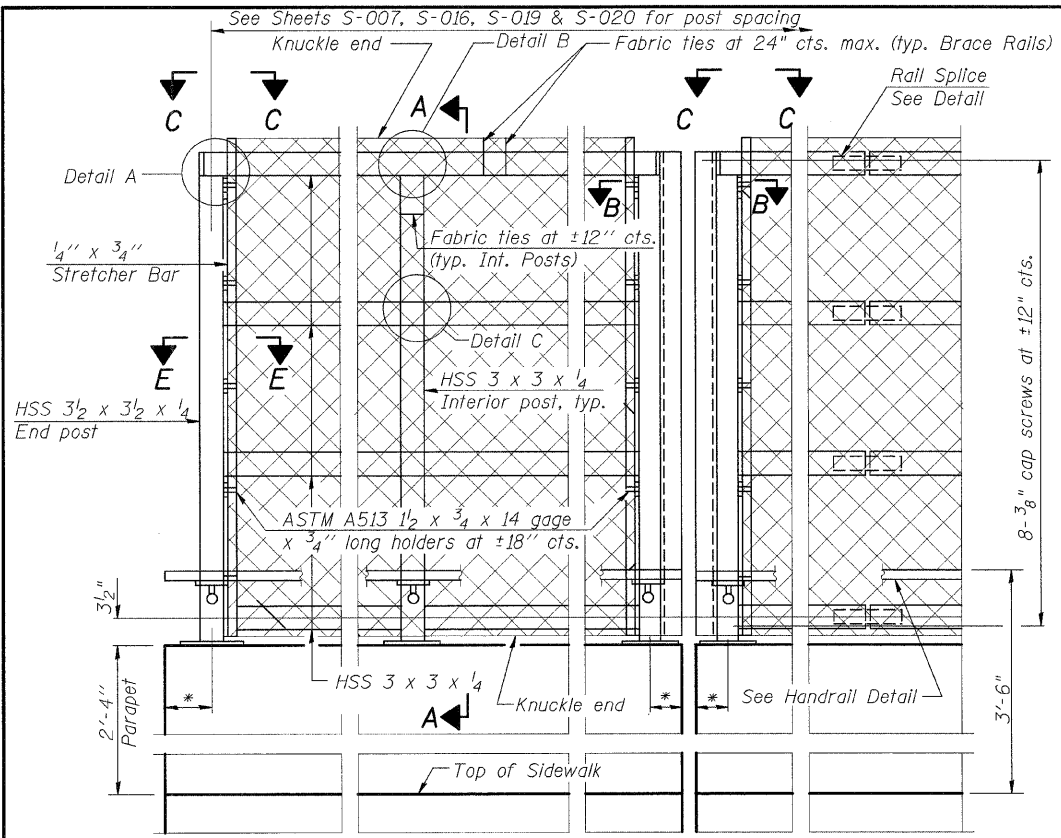
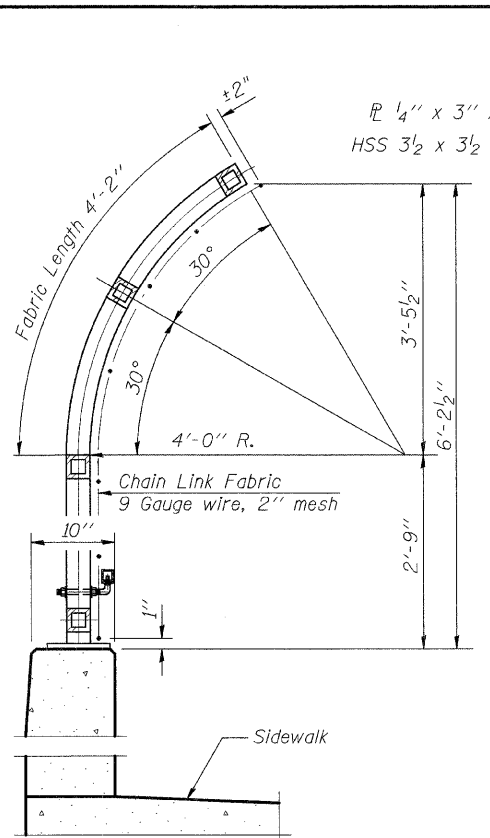


F.A.I. RTE.	SECTION	COUNTY	TOTAL SHEETS	SHEET NO.
57	1920.1B-R	COOK	101	077
STA.	TO STA.			
FED. ROAD DIST. NO. 1	ILLINOIS	FED. AID PROJECT		
CONTRACT NO. 62533				

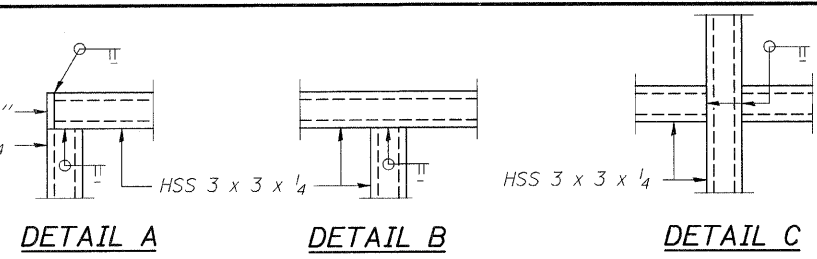
All steel rail elements shall be galvanized according to Article 509.05 of the Standard Specifications.



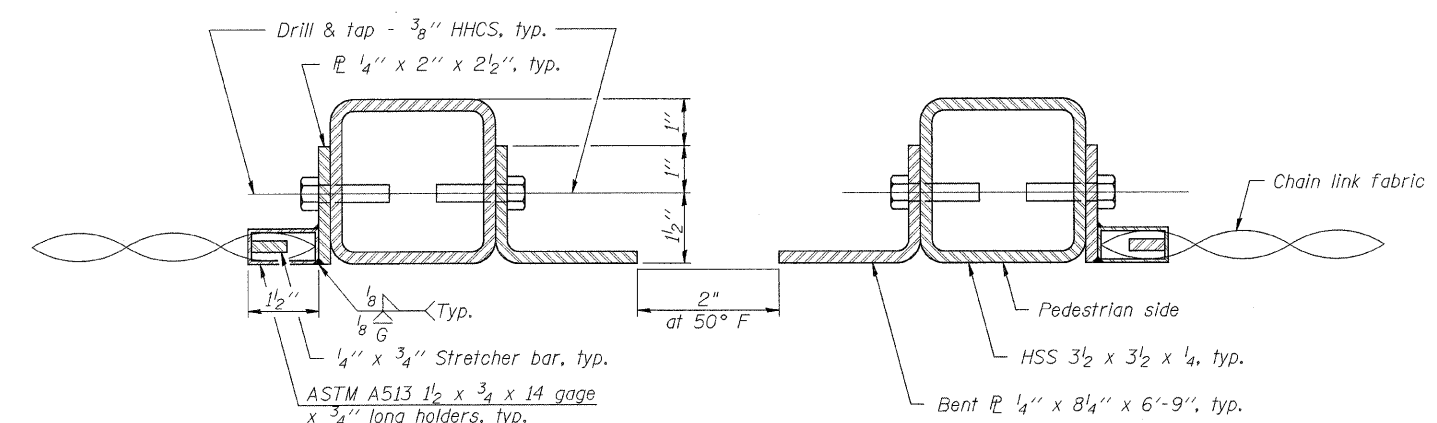
ELEVATION
(Inside Face)



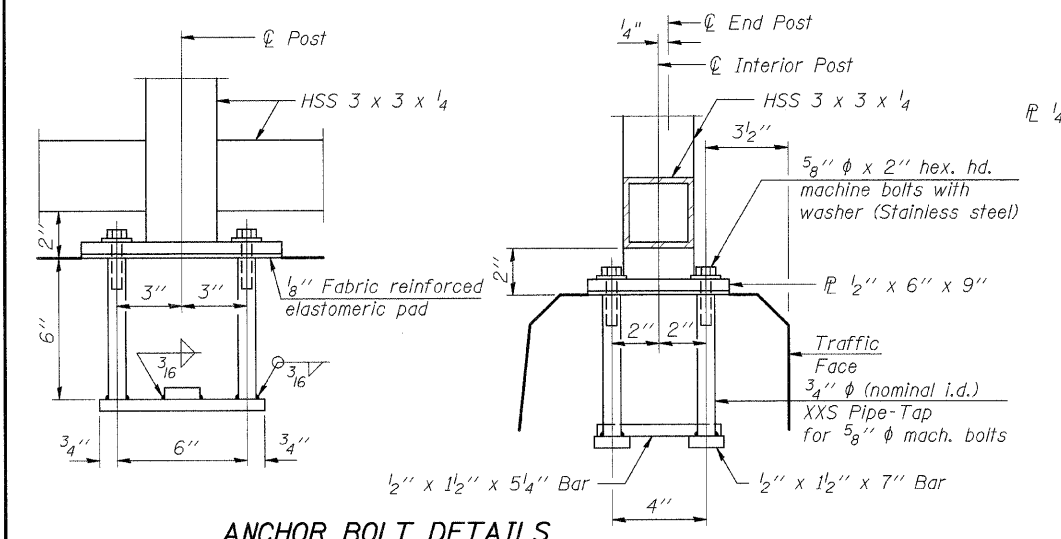
SECTION A-A



DETAIL A **DETAIL B** **DETAIL C**

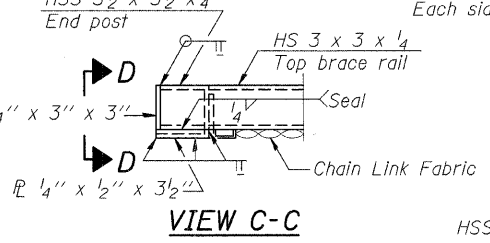


SECTION B-B
(At Expansion Joint)

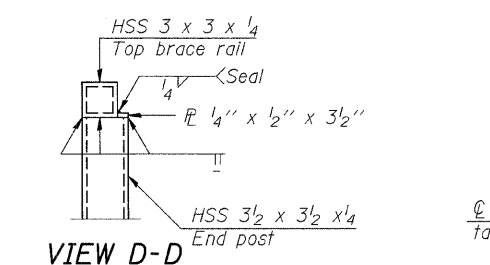


ANCHOR BOLT DETAILS

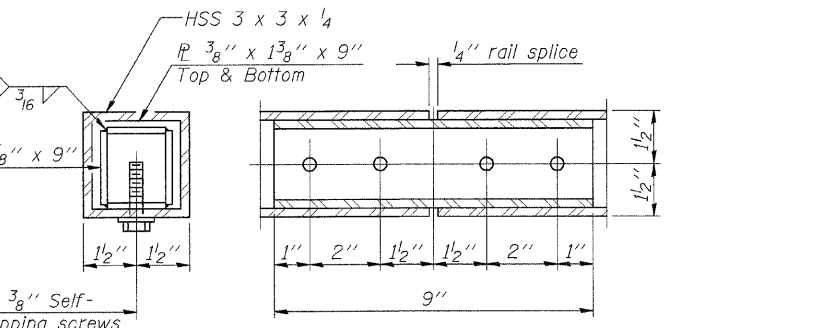
In lieu of the cast-in-place anchor device shown, the Contractor has the option of drilling and setting 5/8 inch diameter anchor rods according to Article 509.06 of the Standard Specifications. Embedment shall be according to the manufacturer's specifications.



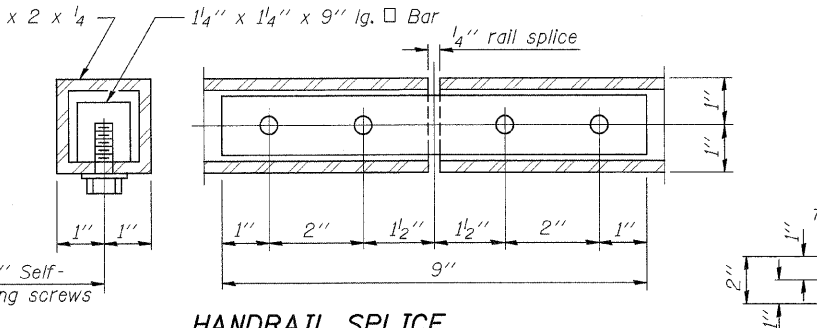
VIEW C-C



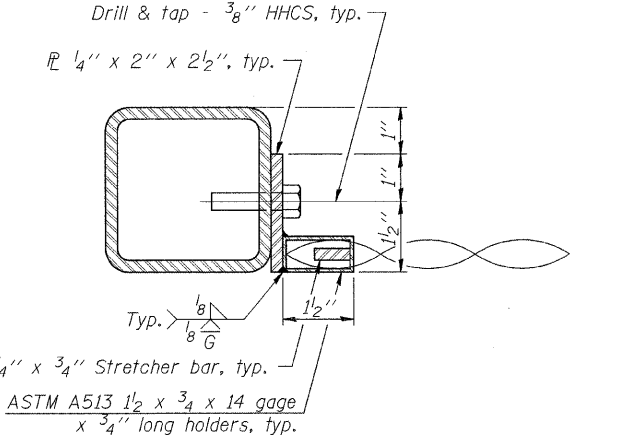
VIEW D-D



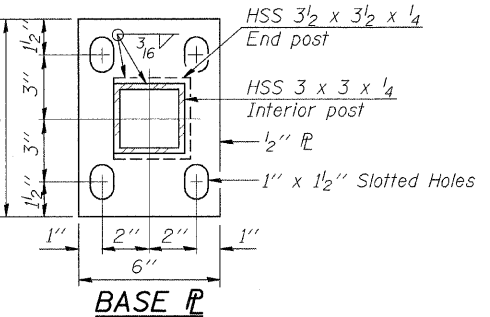
RAIL SPLICE



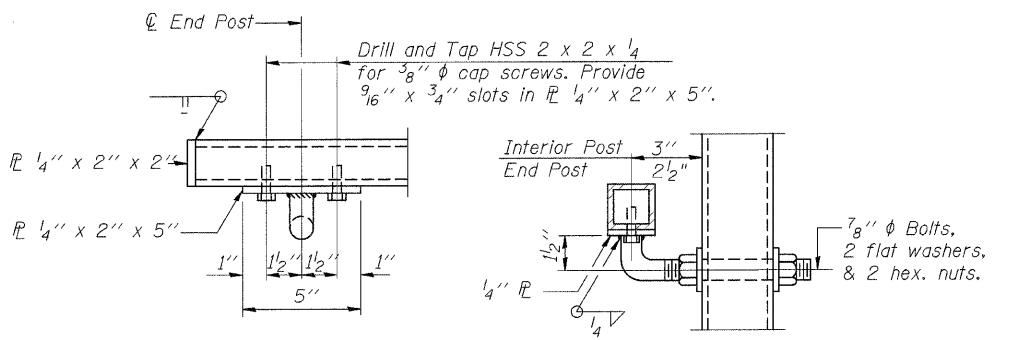
HANDRAIL SPLICE



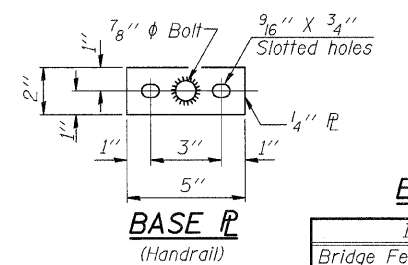
SECTION E-E



BASE P



HANDRAIL DETAIL



BASE P
(Handrail)

BILL OF MATERIAL

Item	Unit	Quantity
Bridge Fence Railing	Foot	431

REVISIONS	
NAME	DATE

SHT. S-011
 ILLINOIS DEPARTMENT OF TRANSPORTATION
 F.A.I. ROUTE 57 (INTERSTATE 57)
 112TH PLACE BRIDGE DECK REPLACEMENT
 112th PLACE OVER I-57
 SN 016-0988 STA. 546+15.56
 COOK COUNTY
 BRIDGE FENCE RAILING
 PARAPET MOUNTED 1
 DRAWN BY: TMH
 CHECKED BY: JLR
 DATE: 01/16/09

TENG

TENG & ASSOCIATES, INC.
 ENGINEERS/ARCHITECTS/PLANNERS
 205 N. MERRILL AVE., CHICAGO, IL 60601
 TELEPHONE: 312.616.0000

RITCHIE & ASSOCIATES, INC. PROJECT NO. 1920.1B-R
 15 DOCUMENT REVISIONS STRUCTURAL/ARCHITECTURAL
 color tables K:\STANDARD\TENG\DATA\COLORTABLE.FBL
 pen table: N/A