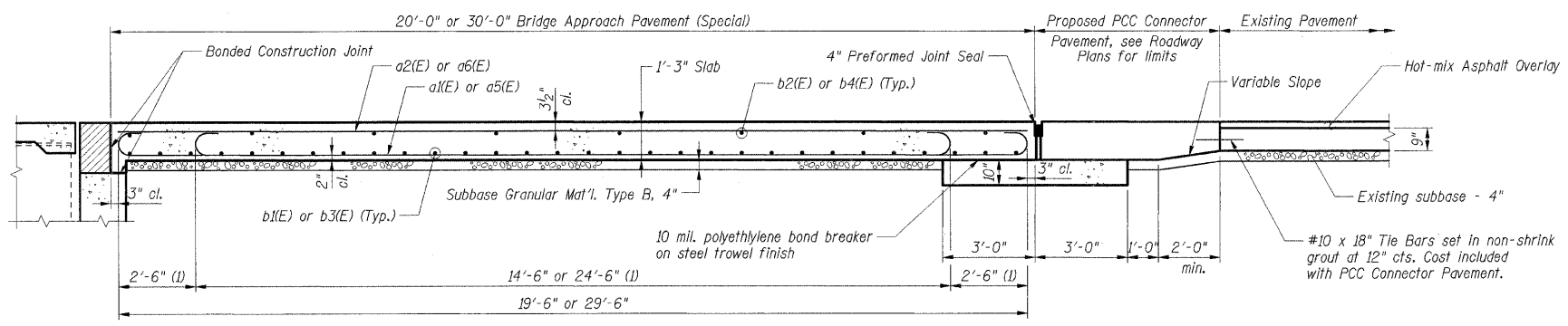
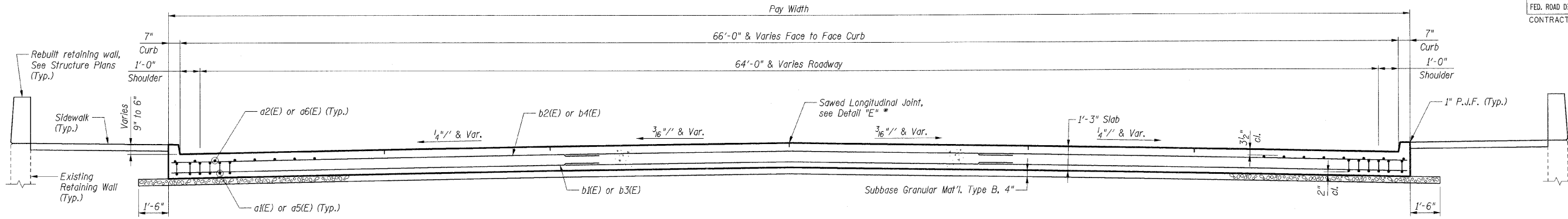


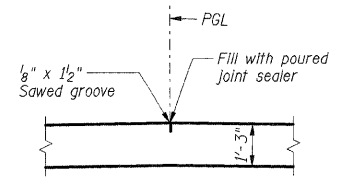
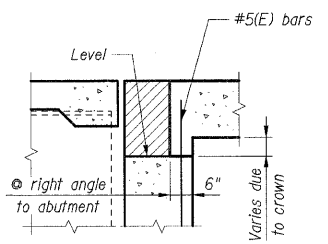
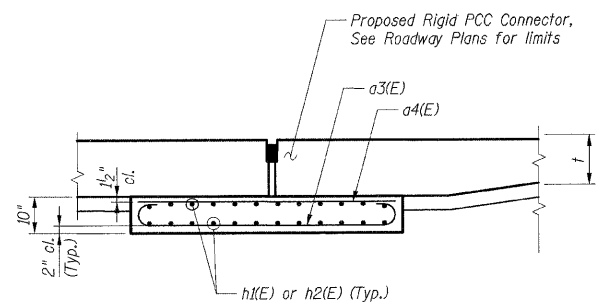
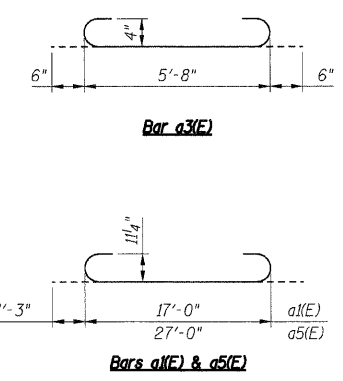
F.A.I. RTE.	SECTION	COUNTY	TOTAL SHEETS	SHEET NO.
57	1920.1B-R	COOK	101	066
STA.		TO STA.		
FED. ROAD DIST. NO. 1		ILLINOIS	FED. AID PROJECT	
CONTRACT NO. 62533				



MATERIAL REQUIRED FOR BRIDGE APPROACH PAVEMENT (SPECIAL)

Bar	No.	Size	Length	Shape
a1(E)	134	#9	19'-6"	U
a2(E)	67	#5	19'-6"	—
a3(E)	152	#4	6'-8"	U
a4(E)	152	#4	5'-8"	—
a5(E)	134	#9	29'-6"	U
a6(E)	67	#5	29'-6"	—
a7(E)	8	#5	12'-0"	—
b1(E)	60	#5	25'-7"	—
b2(E)	18	#4	25'-4"	—
b3(E)	90	#5	23'-5"	—
b4(E)	24	#4	23'-2"	—
h1(E)	72	#5	26'-9"	—
h2(E)	72	#5	24'-6"	—
Item	Unit	Total		
Concrete Structures	Cu Yd	160.1	**	
Reinforcement Bars, Epoxy Coated	Lbs	35,420	**	
Polyethylene Bond Breaker	Sq Yd	99	**	
Concrete Pad	Sq Yd	99	**	

** Item included in the cost for Bridge Approach Pavement (Special).



- Notes:**
1. Reinforcement bars designated (E) shall be epoxy coated.
 2. Work this sheet with Sht. 065.
 3. Thickness "t" = Thickness of Pavement.
 4. See Standard 42.1001 for reinforcement details not shown.
 5. See Standard 42.0001 for details of joints not shown.

REVISIONS	
NAME	DATE

ILLINOIS DEPARTMENT OF TRANSPORTATION
112TH PLACE OVER
F.A.I ROUTE 57 (INTERSTATE 57)
**BRIDGE APPROACH PAVEMENT,
SPECIAL AT SN 016-0988
DETAILS**

SCALE: N.T.S. DRAWN BY: RDS
DATE: 01/16/09 CHECKED BY: ACL

TENG
TENG & ASSOCIATES, INC.
ENGINEERS/ARCHITECTS/PLANNERS
205 N. MICHIGAN AVE., CHICAGO, IL 60601
TELEPHONE: 312/615-0000

..\TTR00MWA.DGN, ..\AFS00TTR.DGN
 H-6-2009, 15:56:36
 T:\DOCUMENT\19306801\STRUCT\DGN\AFS00TTR.DGN
 1 2 3 4 5 6 7 8 9 10 11 12 13 14 15 16 17 18 19 20 21 22 23 24 25 26 27 28 29 30 31 32 33 34 35 36 37 38 39 40 41 42 43 44 45 46 47 48 49 50 51 52 53 54 55 56 57 58 59 60 61 62 63
 HECHTBR