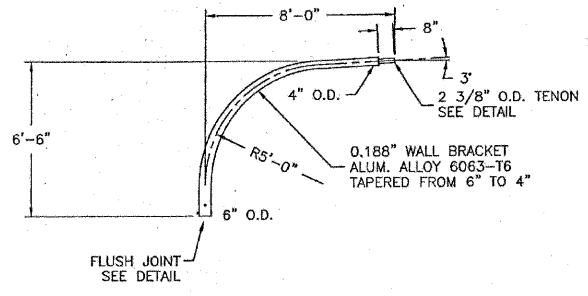
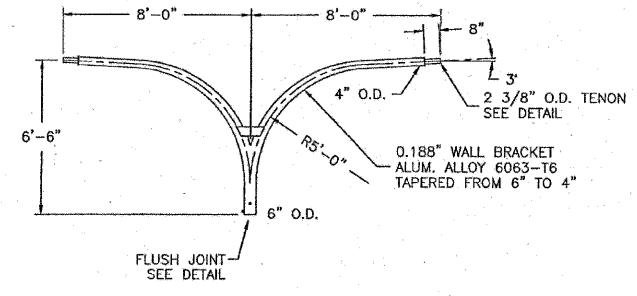


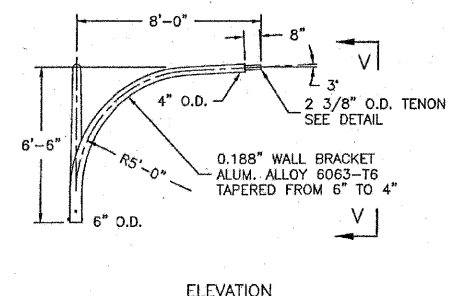
F.A.I. RTE.	SECTION	COUNTY	TOTAL SHEETS	SHEET NO.
57	1920.1B-R	COOK	101	056
STA.		TO STA.		
FED. ROAD DIST. NO. 1		ILLINOIS	FED. AID PROJECT	
CONTRACT NO. 62533				



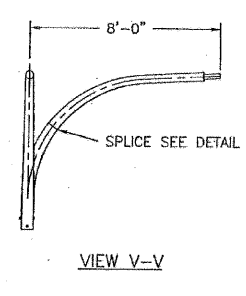
SINGLE DAVIT ARM



TWIN DAVIT ARM AT 180°

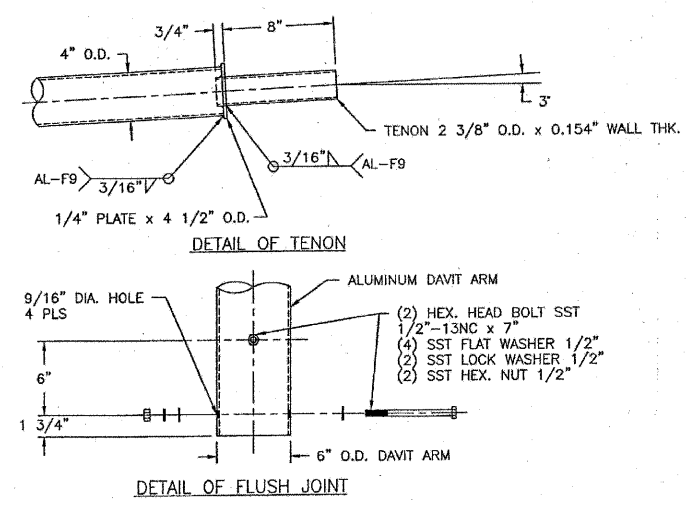


TWIN DAVIT ARM AT 90°



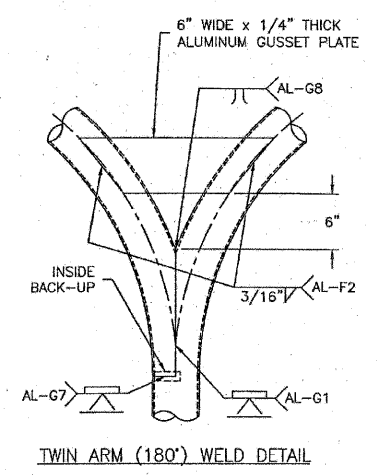
VIEW V-V

ELEVATION

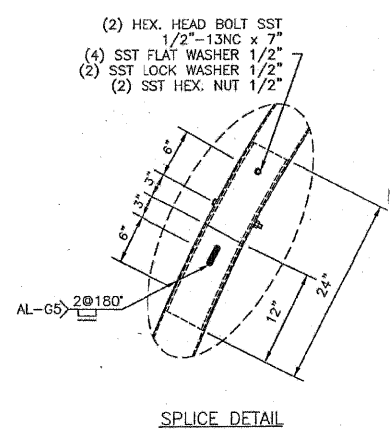


DETAIL OF TENON

DETAIL OF FLUSH JOINT



TWIN ARM (180°) WELD DETAIL



SPLICE DETAIL

<b>ALUMINUM DAVIT ARM</b> 6" x 8'-0"		
CITY OF CHICAGO DEPT. OF STREETS AND SANITATION DIVISION OF ELECTRICITY BUREAU OF ELECTRICAL ENGINEERING		
DRAFTSMAN	CHIEF DRAFTSMAN	ENGINEER
SUPERVISING ENGINEER	ELEC. DESIGN ENGR.	DWG. NO.
ENGINEER OF ELECTRICITY		<b>948</b>
DEPT. IN CHARGE	CONSTRUCTION	
DEPUTY COMMISSIONER		
DATE: 1-23-02	SCALE:	

NORTH ST. BORDER ROOM  
 FILE NO. 1584907  
 1 2 3 4 5 6 7 8 9 10 11 12 13 14 15 16 17 18 19 20 21 22 23 24 25 26 27 28 29 30 31 32 33 34 35 36 37 38 39 40 41 42 43 44 45 46 47 48 49 50 51 52 53 54 55 56 57 58 59 60 61 62 63  
 MECHTRP  
 T:\DOCUMENTS\950860\CIVIL\DWG\4-CORR\HW.DWG

REVISIONS	
NAME	DATE

ILLINOIS DEPARTMENT OF TRANSPORTATION  
112TH PLACE OVER  
F.A.I. ROUTE 57 (INTERSTATE 57)

ELECTRICAL STANDARD DETAILS

SCALE: NONE  
DATE: 01/16/09  
DRAWN BY: N/A  
CHECKED BY: N/A

**TENG**

TENG & ASSOCIATES, INC.  
ENGINEERS/ARCHITECTS-PLANNERS  
205 N. MICHIGAN AVE., CHICAGO, IL 60601  
TELEPHONE: 312/678-0000