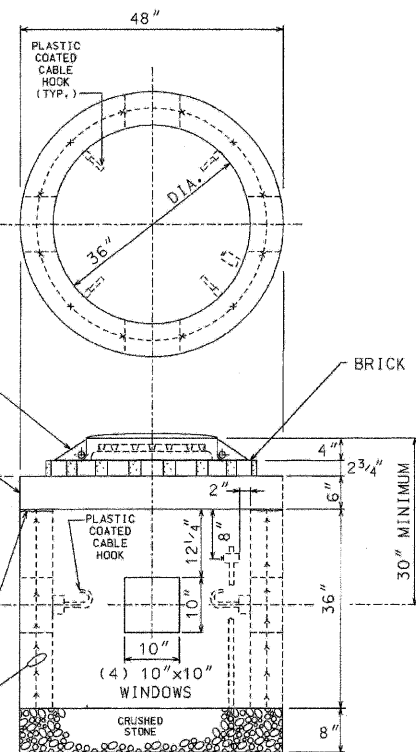


TOP VIEW  
FRAME, COVER & TOP  
OF HANDHOLE REMOVED



FRAME & COVER  
DRG. #872

SEE DETAIL  
ROOF OF  
HANDHOLE

BRICK

INSTALL BED OF MORTAR  
BETWEEN ROOF & HANDHOLE

REINF. WIRE  
MESH-6"X6"

SIDE  
ELEVATION

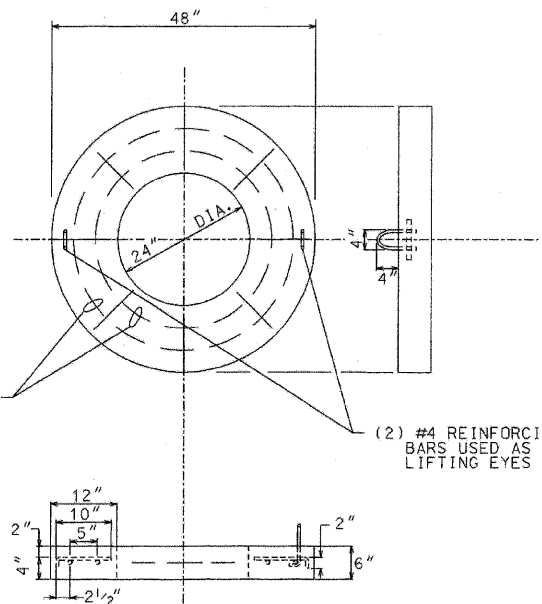
COMPLETE COMMODITY CODE NO. 05-6610-5310M

CODE NO.	MATERIALS	SIZE	QUAN.
(1) 05-6610-5312	PRE-CAST HANDHOLE	36" X 36"	
(2) 05-6610-5312	PRE-CAST ROOF	SEE DETAIL	1
05-9075-5470	STONE 3/4" CRUSHED SCREENINGS	BAG	5
05-1452-9720	BRICK		24
02-4299-5524	FRAME, MANHOLE	24"	1
02-4574-5624	COVER, MANHOLE	24"	1
09-7796-9312	GROUND ROD	3/4" X 12'	1
09-2636-3240	GROUND CLAMP		1
(3) 05-5082-5330	SONO TUBE	36"	1
(3) 05-5082-5342	SONO TUBE	48"	1
(3) 05-3267-2940	CONC. REDI-MIX	CU. YD.	3/4
(3) 20-5472-9630	REINFORCING BAR	#3 (3/8")	20'
(3) 20-5472-9630	REINFORCING BAR	#3 (3/8")	8'
(3) 20-5472-9640	REINFORCING BAR	#4 (1/2")	4'
(3) 57-0770-0000	(MESH (6" X 6"))	36" X 11'	1

- (1) PRE-CAST HANDHOLE SHALL INCLUDE CABLE HOOKS AND CONDUIT KNOCK-OUTS.  
 (2) PRE-CAST ROOF SHALL INCLUDE LIFTING EYES.  
 (3) THESE ITEMS ARE FOR POURED-IN-PLACE HANDHOLES ONLY.

CONSTRUCTION NOTES:

- 1 - 8" BED OF STONE FOR DRAINAGE.  
 2 - ALL METALLIC CONDUIT(S) ENTERING HANDHOLE SHALL EXTEND MIN. 1" & MAX. OF 3" INSIDE INNER WALL & BE EQUIPPED WITH AN APPROVED TYPE THREADED GROUNDING BUSHING.



(2) #3 REINFORCING  
BARS WITH (8) #3  
CROSS TIES

(2) #4 REINFORCING  
BARS USED AS  
LIFTING EYES

DETAIL-ROOF OF HANDHOLE

DATE	REVISION
B 01-23-00	ADDED CABLE HOOKS PER COMMISSIONER MURPHY (RC/RE)
A	REDRAW (CAD.) MP.

36" DIA. HEAVY DUTY  
CONCRETE HANDHOLE  
WITH 24" FRAME &  
COVER

CITY OF CHICAGO  
DEPT. OF STREETS AND SANITATION  
BUREAU OF ELECTRICAL ENGINEERING

DRAFTSMAN M. PATTON	CHIEF DRAFTSMAN B. CARTER	ENGINEER W. THOMPKA
SUPERVISING ENGINEER N. DEBARTOLO	ELECT. DESIGN ENGINEER	

ENGINEER OF ELECTRICALITY  
866

DEPT. SUPERV. OF ELECTRICALITY  
DEPUTY COMMISSIONER  
DATE: 1-12-96

112TH ST. BORDER.DWG  
 116-2009, 134227  
 1, 2, 3, 4, 5, 6, 7, 8, 9, 10, 11, 12, 13, 14, 15, 16, 17, 18, 19, 20, 21, 22, 23, 24, 25, 26, 27, 28, 29, 30, 31, 32, 33, 34, 35, 36, 37, 38, 39, 40, 41, 42, 43, 44, 45, 46, 47, 48, 49, 50, 51, 52, 53, 54, 55, 56, 57, 58, 59, 60, 61, 62, 63

#ELECTRICAL SPEC  
#GENERAL SPEC

ES-11

REVISIONS	
NAME	DATE

ILLINOIS DEPARTMENT OF TRANSPORTATION  
 112TH PLACE OVER  
 F.A.I. ROUTE 57 (INTERSTATE 57)

ELECTRICAL STANDARD DETAILS

SCALE: NONE  
 DATE: 01/16/09  
 DRAWN BY: N/A  
 CHECKED BY: N/A

**TENG**  
 TENG & ASSOCIATES, INC.  
 ENGINEERS/ARCHITECTS/PLANNERS  
 205 N. MICHIGAN AVE., CHICAGO, IL 60601  
 TELEPHONE: 312/618-0000