

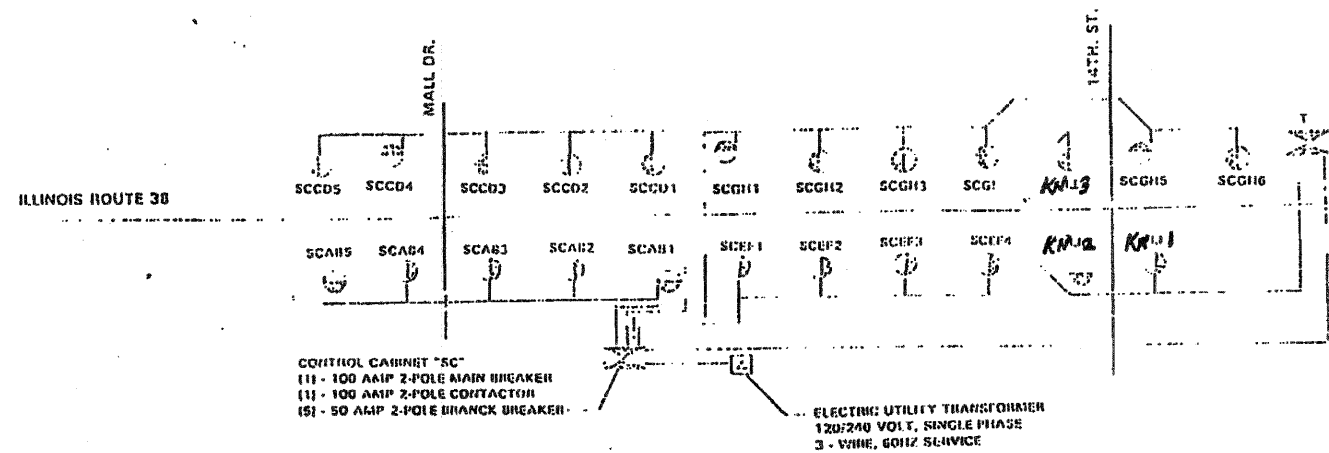
RECORD DRAWING

APPROVED  
 VIRGIL COOK & SON, INC.  
 BY Gary A. Carlson  
 DATE 7/25/96

NOTE.

- 1) ST. CHARLES "SC" UNIT ID WILL BE BLACK ON YELLOW.
- 2) STATE OF ILLINOIS "KN" UNIT ID WILL BE BLACK ON SILVER.

SEE SHEET NO. 2 FOR DETAILS



LEGEND

LUMINAIRE, 310W H.P.S. CONNECTED TO RED AND BLACK WIRE

TRAFFIC CONTROLLER

LIGHTING CONTROLLER

ELECTRIC UTILITY PAD MOUNTED TRANSFORMER

CONTROLLER CIRCUITS	PROPOSED LOAD (AMPS)
SCAB	7.5
SCCD	7.5
SCEF	6
SCGH	9
KN1	4.5

PREPARED BY:  
**CEMCON, L.L.C.**  
 Consulting Engineers, Land Surveyors & Planners  
 2280 White Oak Circle, Suite 100  
 Aurora, Illinois 60504-9675  
 Ph: 630.862.2100 Fax: 630.862.2199  
 E-Mail: cadd@cemcon.com Website: www.cemcon.com

REVISIONS	
NAME	DATE

ILLINOIS DEPARTMENT OF TRANSPORTATION

WIRING DIAGRAM F.A.P. 347  
 (ILL. RTE. 38)

SCALE: VERT. 1/8"=1'-0"  
 HORIZ. 1/4"=1'-0"  
 DATE 10/5/94

DRAWN BY M.S.  
 CHECKED BY C.B.

**FOR INFORMATION ONLY**

FILE NAME = \MICROST\352069\ 28-WIRING DIAGRAM.DGN	USER NAME = JGC	DESIGNED - KK	REVISED -	STATE OF ILLINOIS DEPARTMENT OF TRANSPORTATION	WIRING DIAGRAM - IL. ROUTE 38 @ 14th STREET KANE COUNTY TRAFFIC SIGNAL MODERNIZATION	F.A.P. RTE.	SECTION	COUNTY	TOTAL SHEETS	SHEET NO.	
PLOT SCALE = 1"=20'	CHECKED - BPT	REVISED -	SCALE: N.T.S.			SHEET NO. OF SHEETS	STA. TO STA.	2009-003 TS	KANE	28	28
PLOT DATE = 01-23-09	DATE - 01-23-09	REVISED -				FED. ROAD DIST. NO.	[ILLINOIS] FED. AID PROJECT	CONTRACT NO. 60F98			