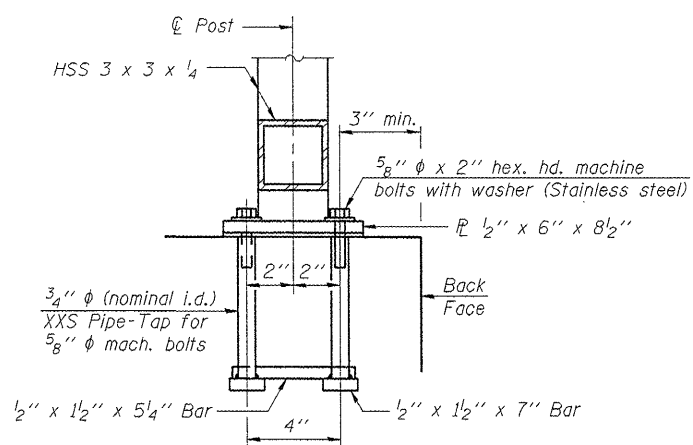
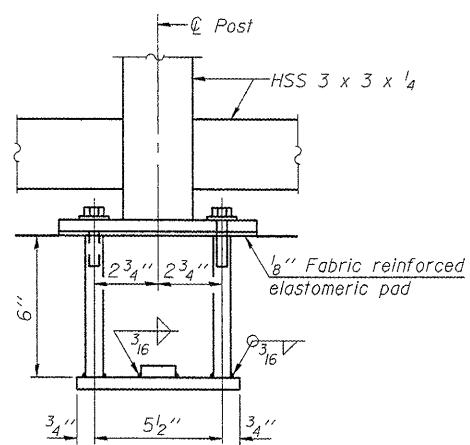
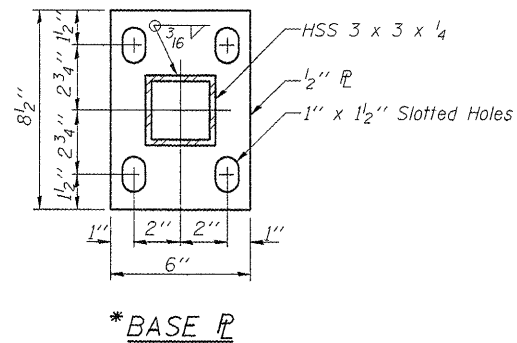
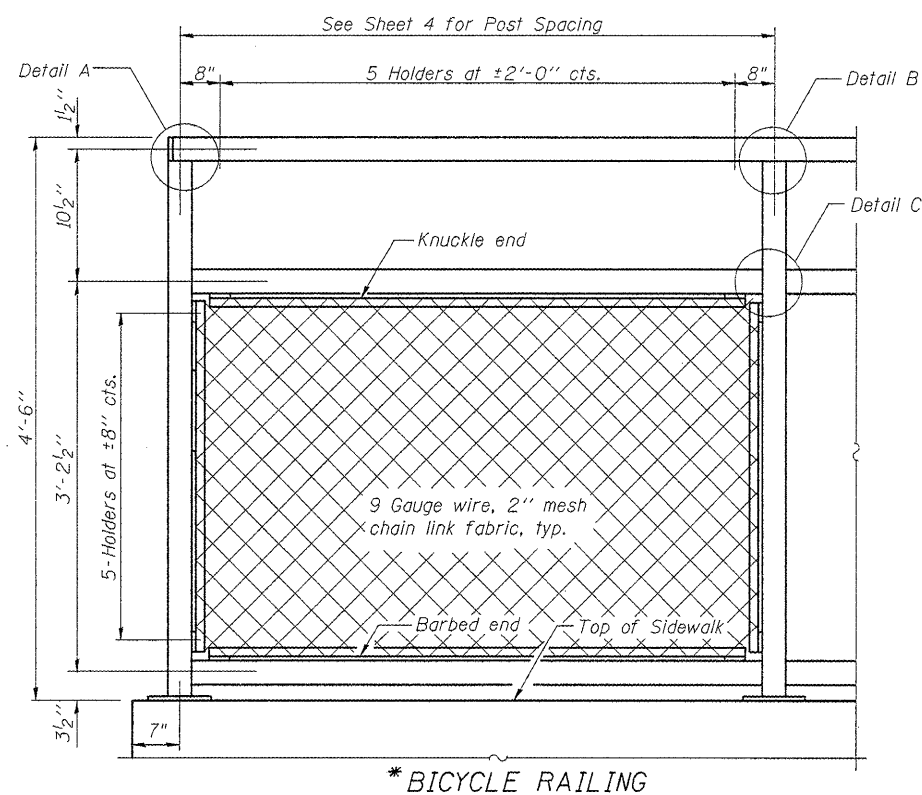
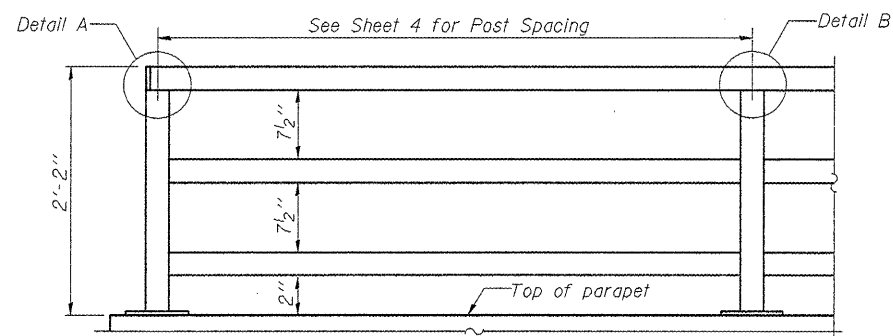


STATE OF ILLINOIS
DEPARTMENT OF TRANSPORTATION

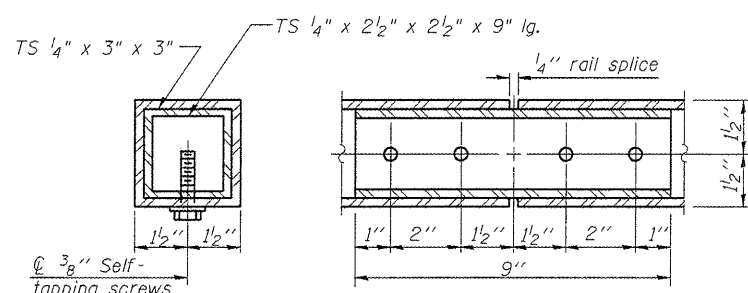
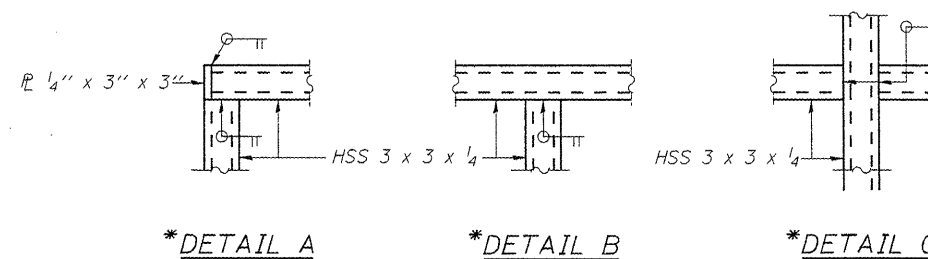


ANCHOR BOLT DETAILS

In lieu of the cast-in-place anchor device shown, the Contractor has the option of drilling and setting 5/8" φ anchor rods according to Article 509.06 of the Standard Specifications. Embedment shall be according to the manufacturer's specifications.



***PARAPET RAILING ELEVATION**
(Inside Face of Three Element Rail)



***RAIL SPLICE**

| | |
|------------|---------|
| DESIGNED - | BPS |
| CHECKED - | GSP |
| DRAWN - | BPS/MJB |
| CHECKED - | GSP |

| Item | Unit | Quantity |
|---|------|----------|
| Removing and Re-Erecting Existing Railing | Foot | 97.5 |
| Bicycle Railing to be Removed and Reinstalled | Foot | 66.5 |

**PARAPET & BICYCLE RAILING
STRUCTURE NO. 016-2530**

| | | | | | |
|-------------|--------------------------------|---------|--------------------|--------------|-----------|
| SHEET NO. 9 | F.A.P. RTE. | SECTION | COUNTY | TOTAL SHEETS | SHEET NO. |
| | 305 | 1415 B | COOK | 75 | 47 |
| 15 SHEETS | FED. ROAD DIST. NO. 7 ILLINOIS | | FED. AID PROJECT | | |
| | | | CONTRACT NO. 60F60 | | |

*FOR INFORMATION ONLY

