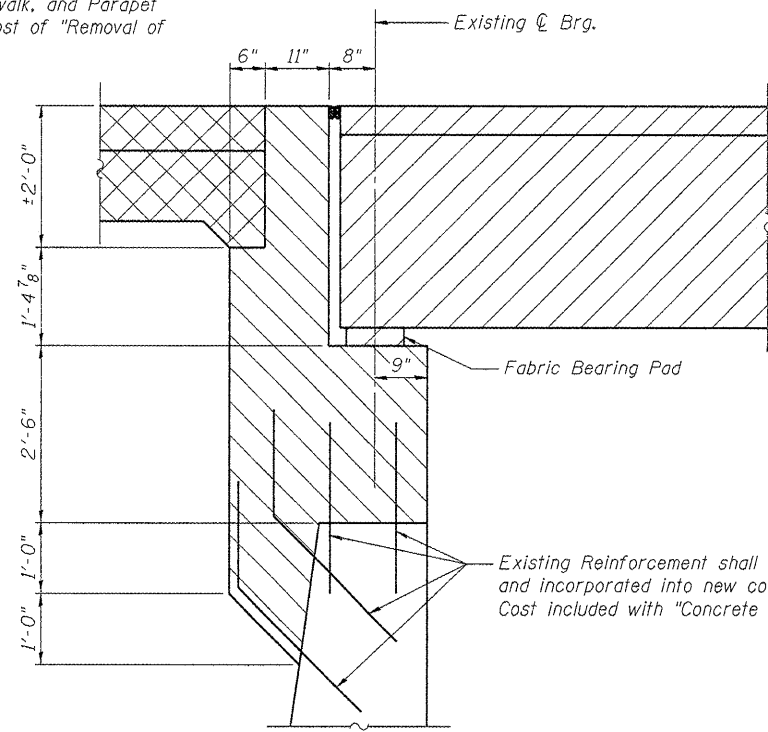
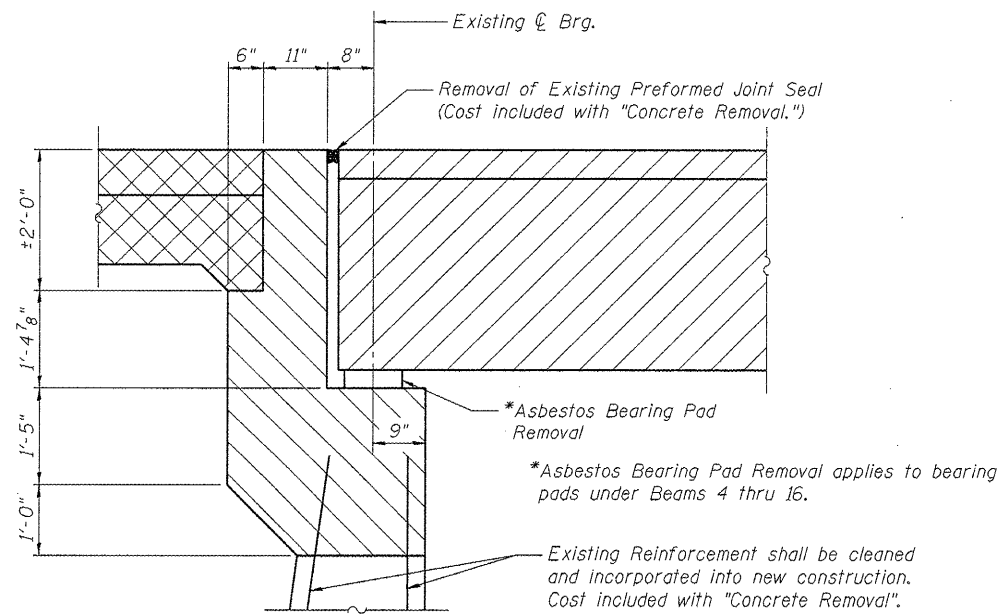


Note:
Concrete Wearing Surface, Sidewalk, and Parapet removal shall be included in the cost of "Removal of Existing Superstructure No. 1".

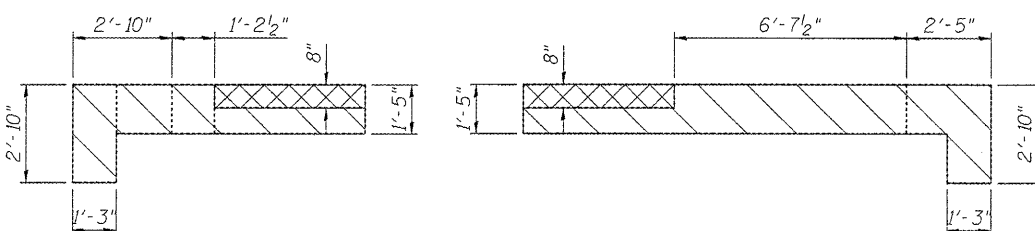
STATE OF ILLINOIS
DEPARTMENT OF TRANSPORTATION



SECTION A-A



SECTION B-B



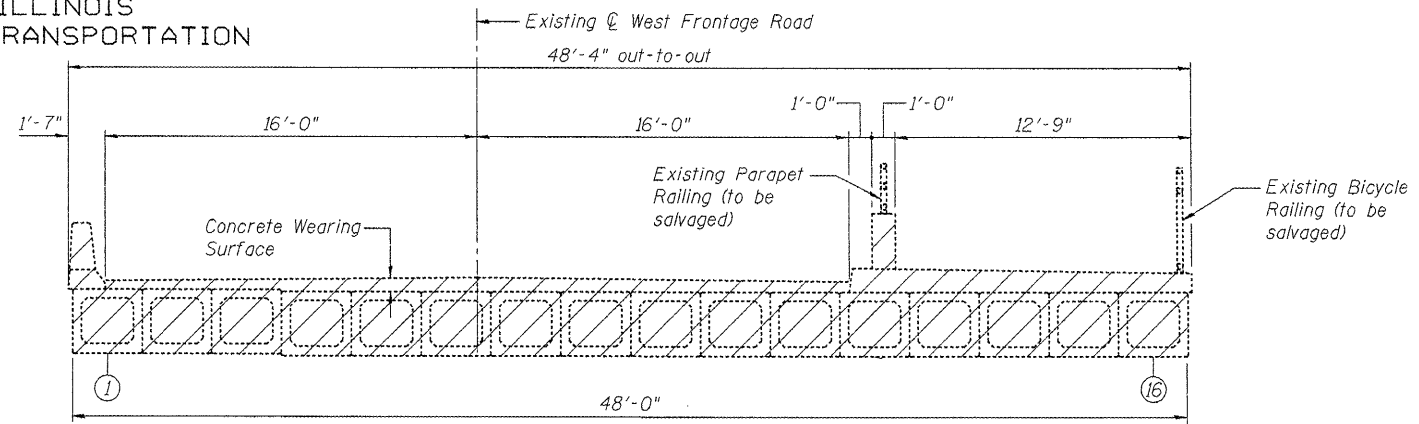
SECTION C-C

(North Abutment shown, South Abutment opposite hand)

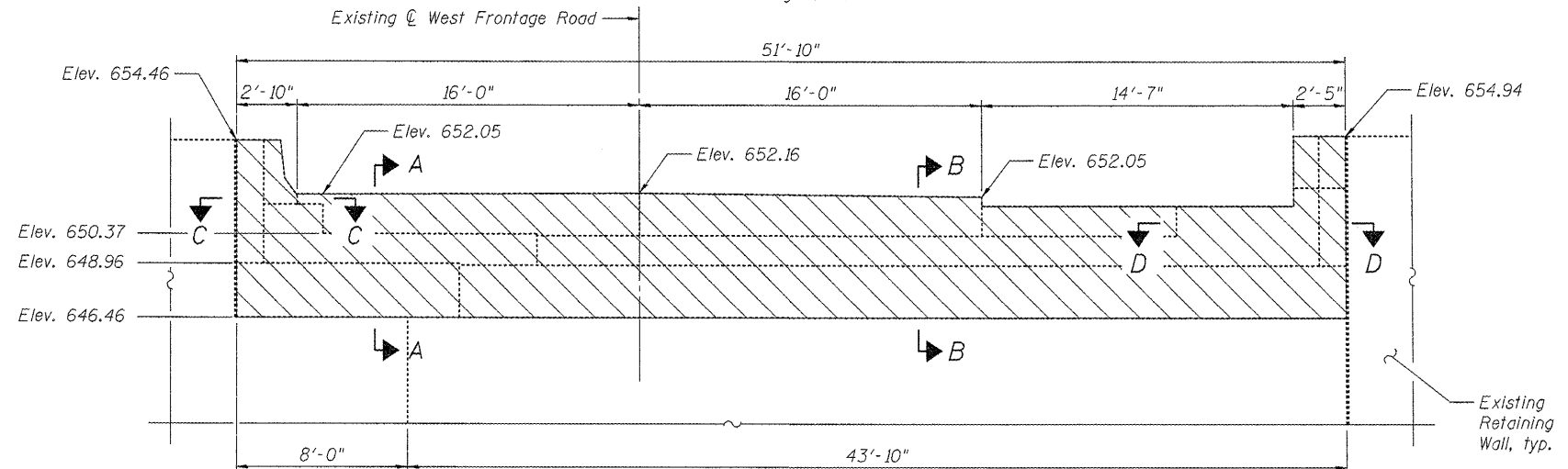
SECTION D-D

(North Abutment shown, South Abutment opposite hand)

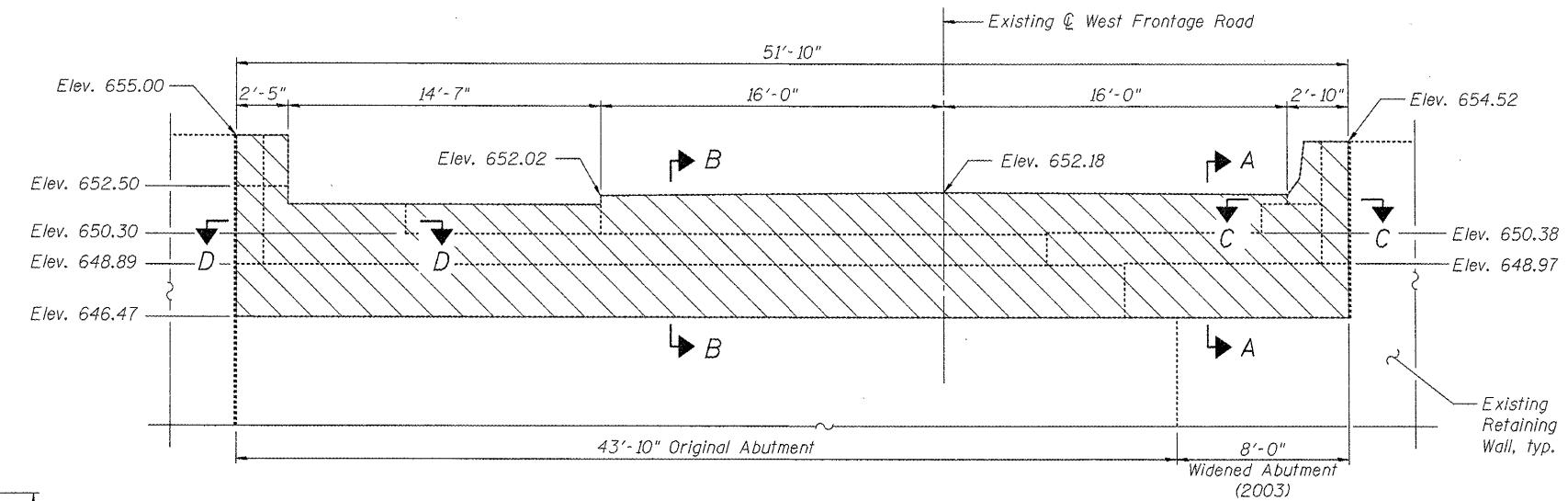
- LEGEND**
- Removal of Existing Superstructures
 - Concrete Removal
 - Approach Slab Removal See Roadway Plans



EXISTING SUPERSTRUCTURE
(Looking North)



NORTH ABUTMENT ELEVATION
(Looking North)



SOUTH ABUTMENT ELEVATION
(Looking South)

REMOVAL BILL OF MATERIAL

Item	Unit	Quantity
Asbestos Bearing Pad Removal	Each	26
Removal of Existing Superstructures No. 1	Each	1
Concrete Removal	Cu. Yd.	40.8

REMOVAL PLAN
STRUCTURE NO. 016-2530

DESIGNED -	BPS
CHECKED -	GSP
DRAWN -	BPS/MJB
CHECKED -	GSP

SHEET NO. 2 15 SHEETS	F.A.P RTE.	SECTION	COUNTY	TOTAL SHEETS	SHEET NO.
	305	1415 B	COOK	75	40
CONTRACT NO. 60F60					
FED. ROAD DIST. NO. 7 ILLINOIS FED. AID PROJECT					

