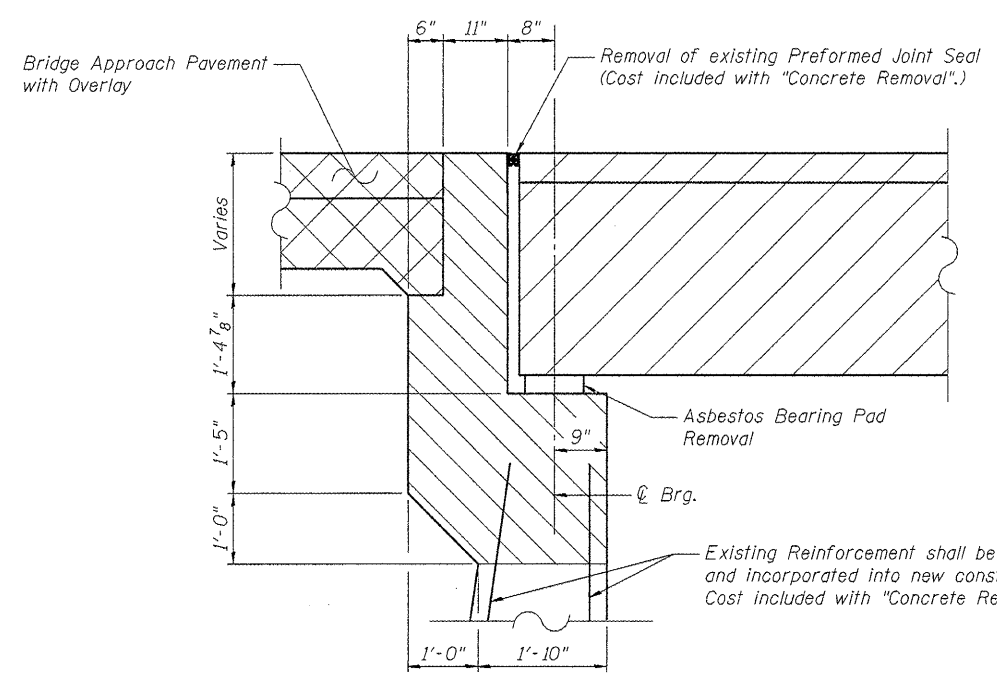


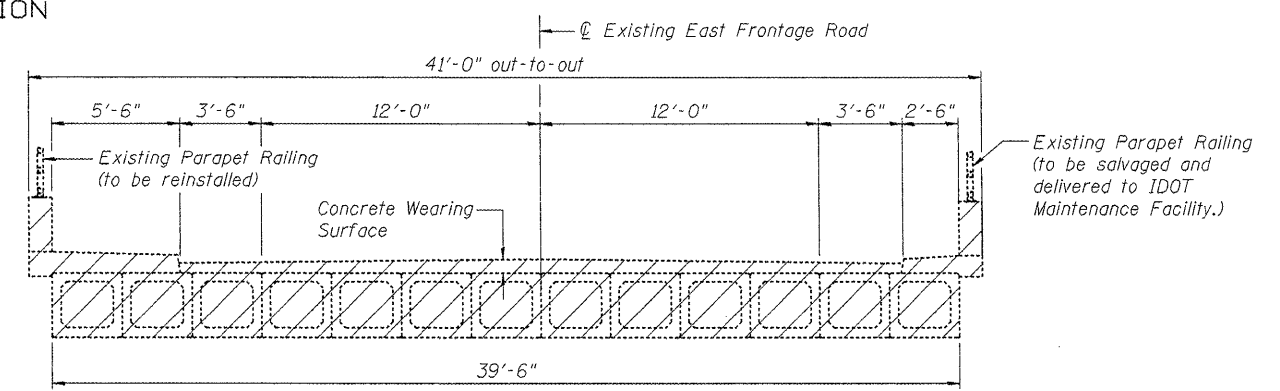
STATE OF ILLINOIS
DEPARTMENT OF TRANSPORTATION



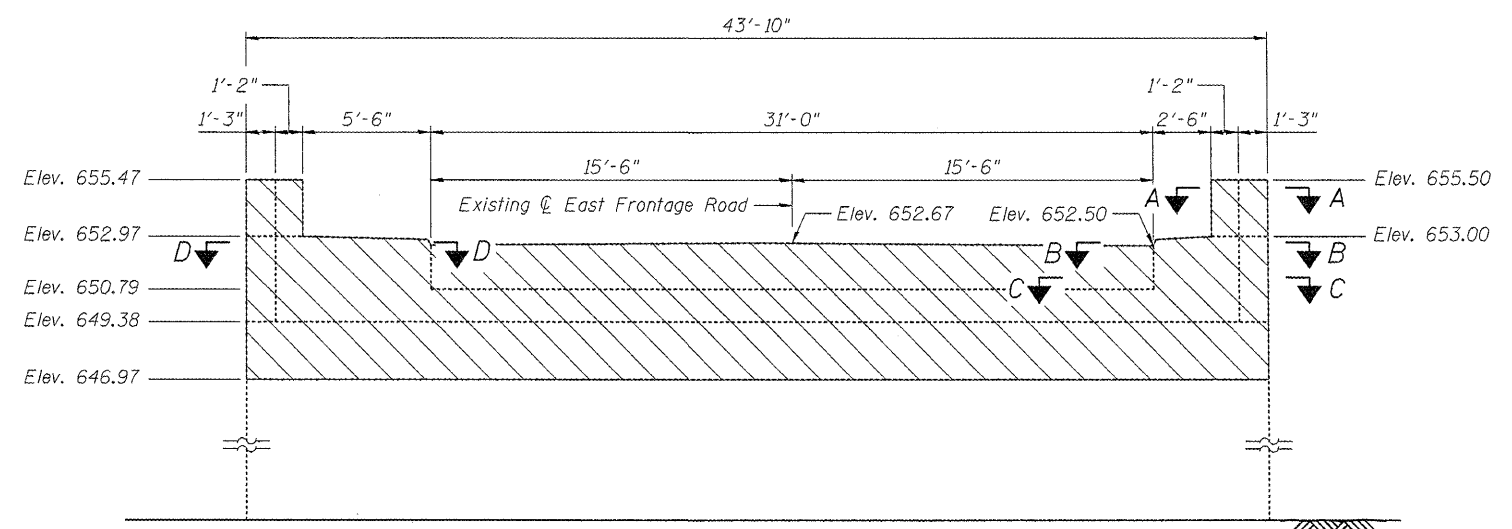
SECTION THRU EXISTING ABUTMENT

LEGEND

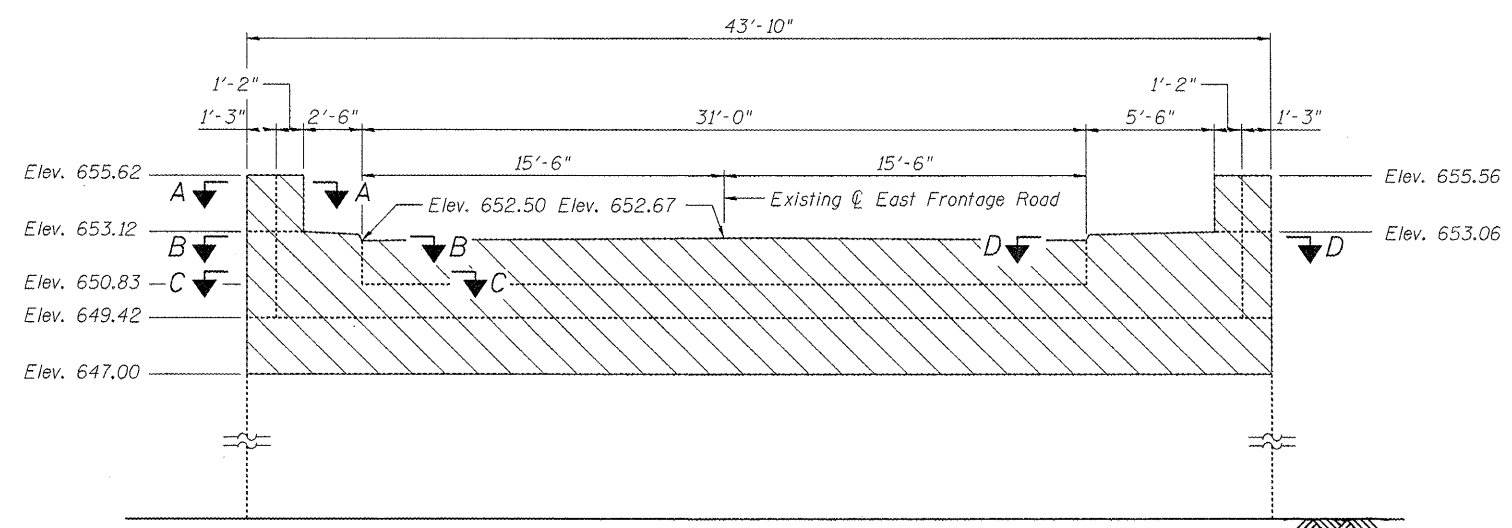
- Removal of Existing Superstructures
- Concrete Removal
- Approach Slab Removal See Roadway Plans



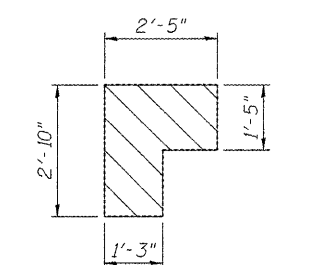
EXISTING SUPERSTRUCTURE
(Looking North)



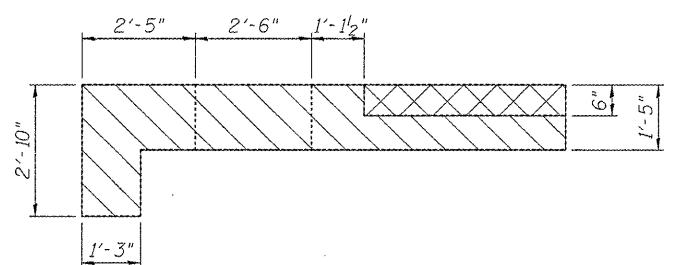
NORTH ABUTMENT ELEVATION
(Looking North)



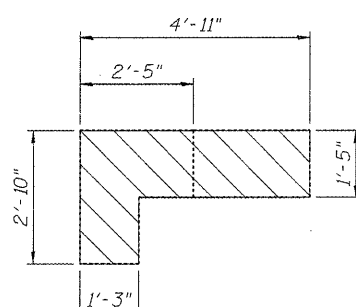
SOUTH ABUTMENT ELEVATION
(Looking South)



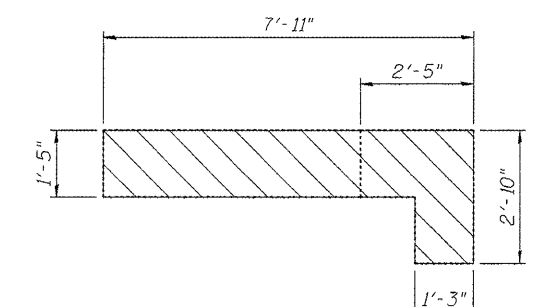
SECTION A-A
(South Abutment shown,
North Abutment opposite hand)



SECTION C-C
(South Abutment shown,
North Abutment opposite hand)



SECTION B-B
(South Abutment shown,
North Abutment opposite hand)



SECTION D-D
(South Abutment shown,
North Abutment opposite hand)

Note:
Concrete Wearing Surface, Sidewalk, Parapet removal and the East Parapet Railing removal and salvage of shall be included in the cost of "Removal of Existing Superstructures, No. 2."

REMOVAL BILL OF MATERIAL

Item	Unit	Quantity
Asbestos Bearing Pad Removal	Each	26
Removal of Existing Superstructures No. 2	Each	1
Concrete Removal	Cu. Yd.	35.0

REMOVAL PLAN
STRUCTURE NO. 016-2529

DESIGNED -	BPS
CHECKED -	GSP
DRAWN -	BPS/MJB
CHECKED -	GSP

SHEET NO. 2 15 SHEETS	F.A.P. RTE.	SECTION	COUNTY	TOTAL SHEETS	SHEET NO.
	305	1415 B	COOK	75	25
CONTRACT NO. 60F60					
FED. ROAD DIST. NO. 7 ILLINOIS FED. AID PROJECT					



9:\p\02\jeo\2082305\cadd\structural\sh\162529-REM.dgn