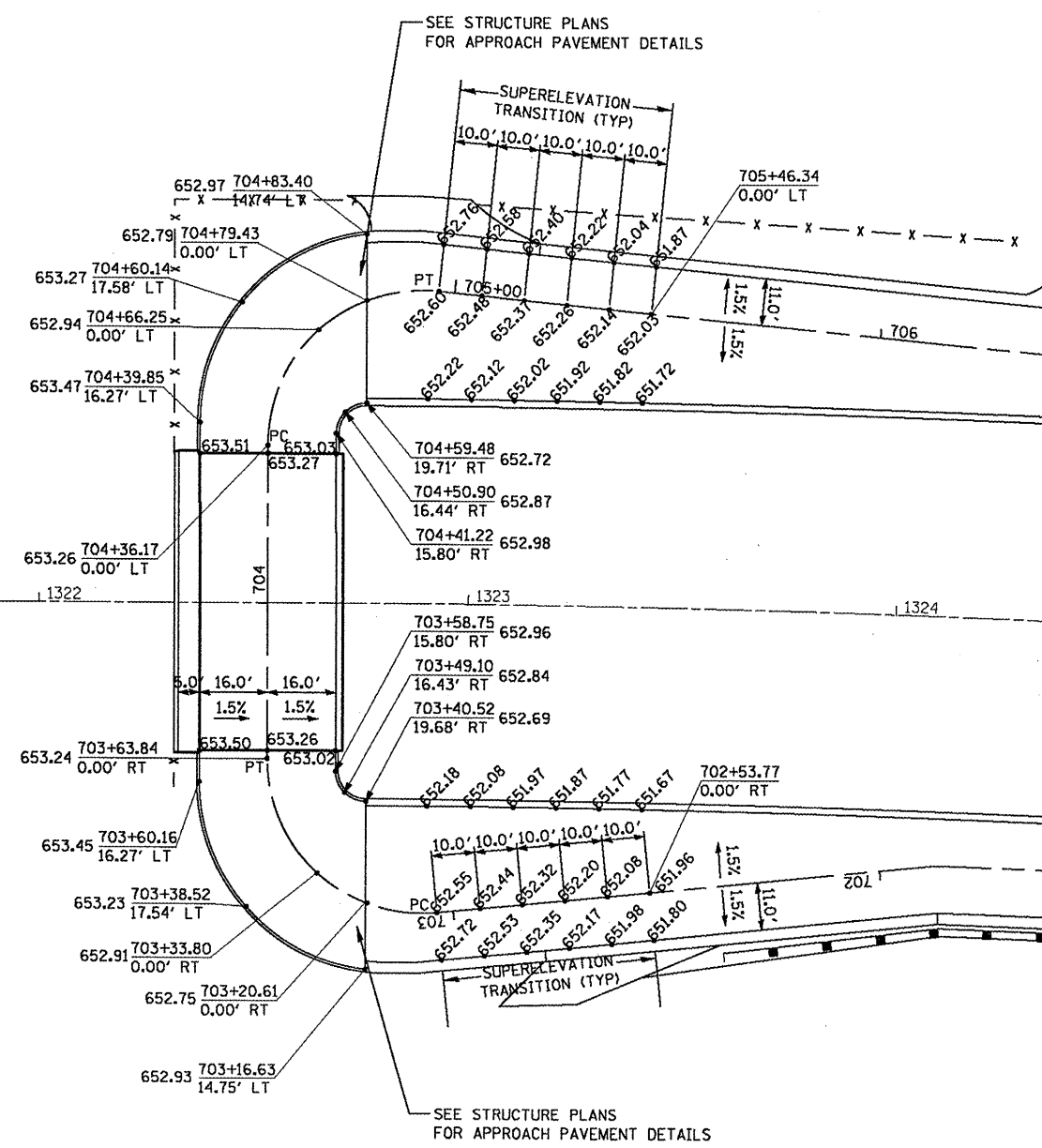


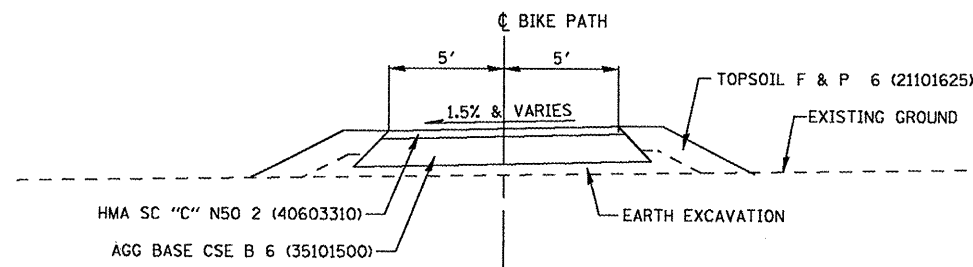
WEST FRONTAGE ROAD DETAILS

SCALE HORIZ.: 1" = 20'



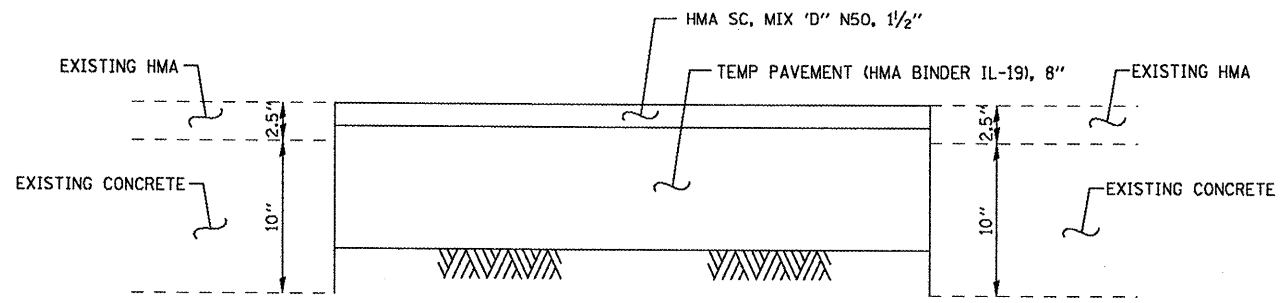
EAST FRONTAGE ROAD DETAILS

SCALE HORIZ.: 1" = 20'



PROPOSED BIKE PATH TYPICAL SECTION

NOT TO SCALE



TEMPORARY PAVEMENT

NOT TO SCALE

FILE NAME =	USER NAME = 2piend	DESIGNED - DLP	REVISED -
G:\projects\2002305\CADD\Civil\Sh\083103\PLM\FD_01.dgn		DRAWN - ENTRAN	REVISED -
		CHECKED - TMH	REVISED -
		DATE - 1/09	REVISED -

STATE OF ILLINOIS
DEPARTMENT OF TRANSPORTATION

WEST AND EAST FRONTAGE ROADS
ROADWAY DETAILS

F.A.P. RTE. NO.	SECTION	COUNTY	TOTAL SHEETS	SHEET NO.
305	1415 B	COOK	75	14
FED. ROAD DIST. NO. ILLINOIS FED. AID PROJECT			CONTRACT NO. 60F60	

SCALE: 1" = 20' SHEET NO. OF SHEETS STA. TO STA.