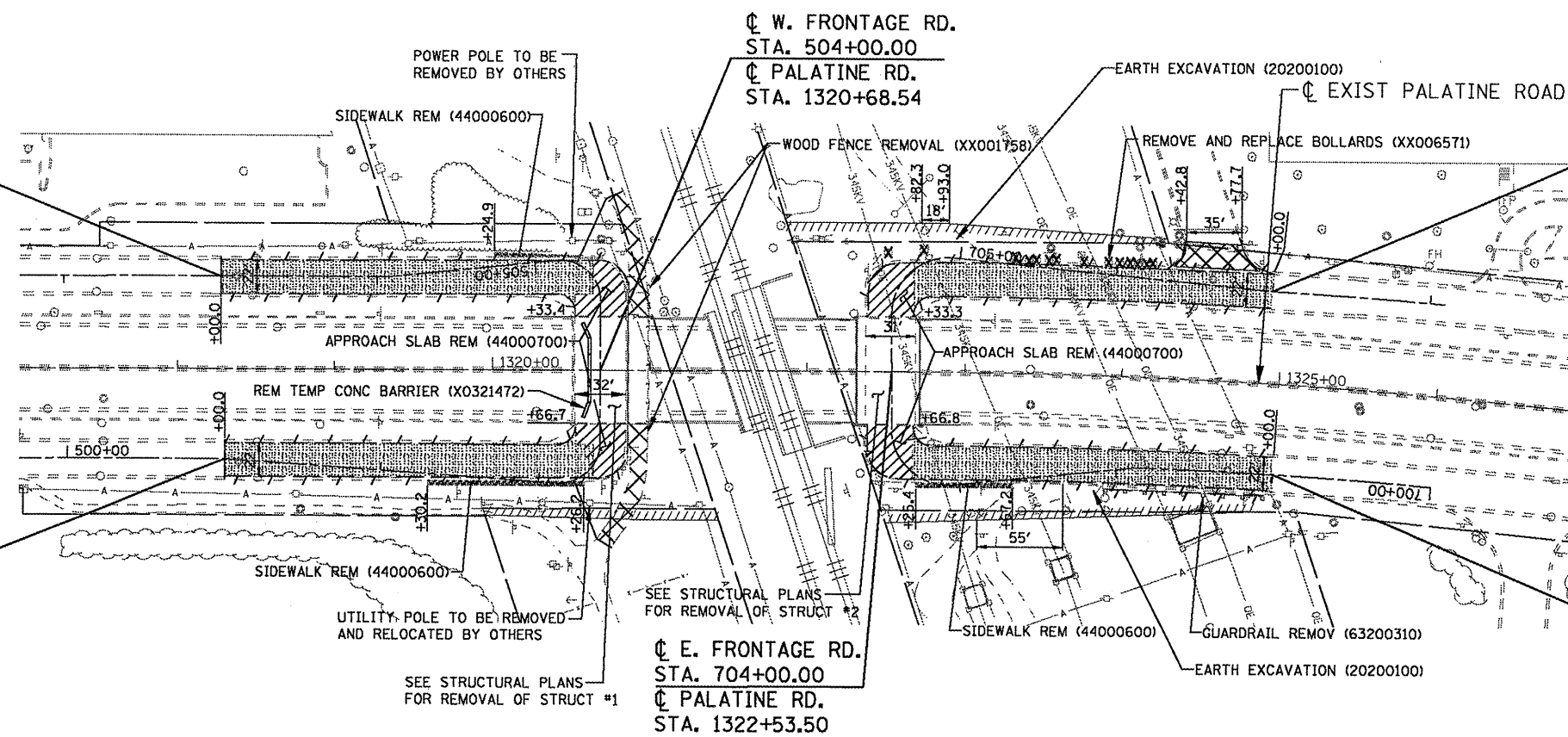


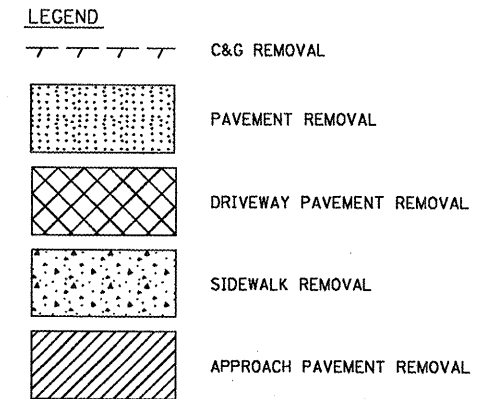
END IMPROVEMENTS
WEST FRONTAGE ROAD
STA. 507+00.00

BEGIN IMPROVEMENTS
WEST FRONTAGE ROAD
STA. 501+00.00



END IMPROVEMENTS
EAST FRONTAGE ROAD
STA. 707+00.00

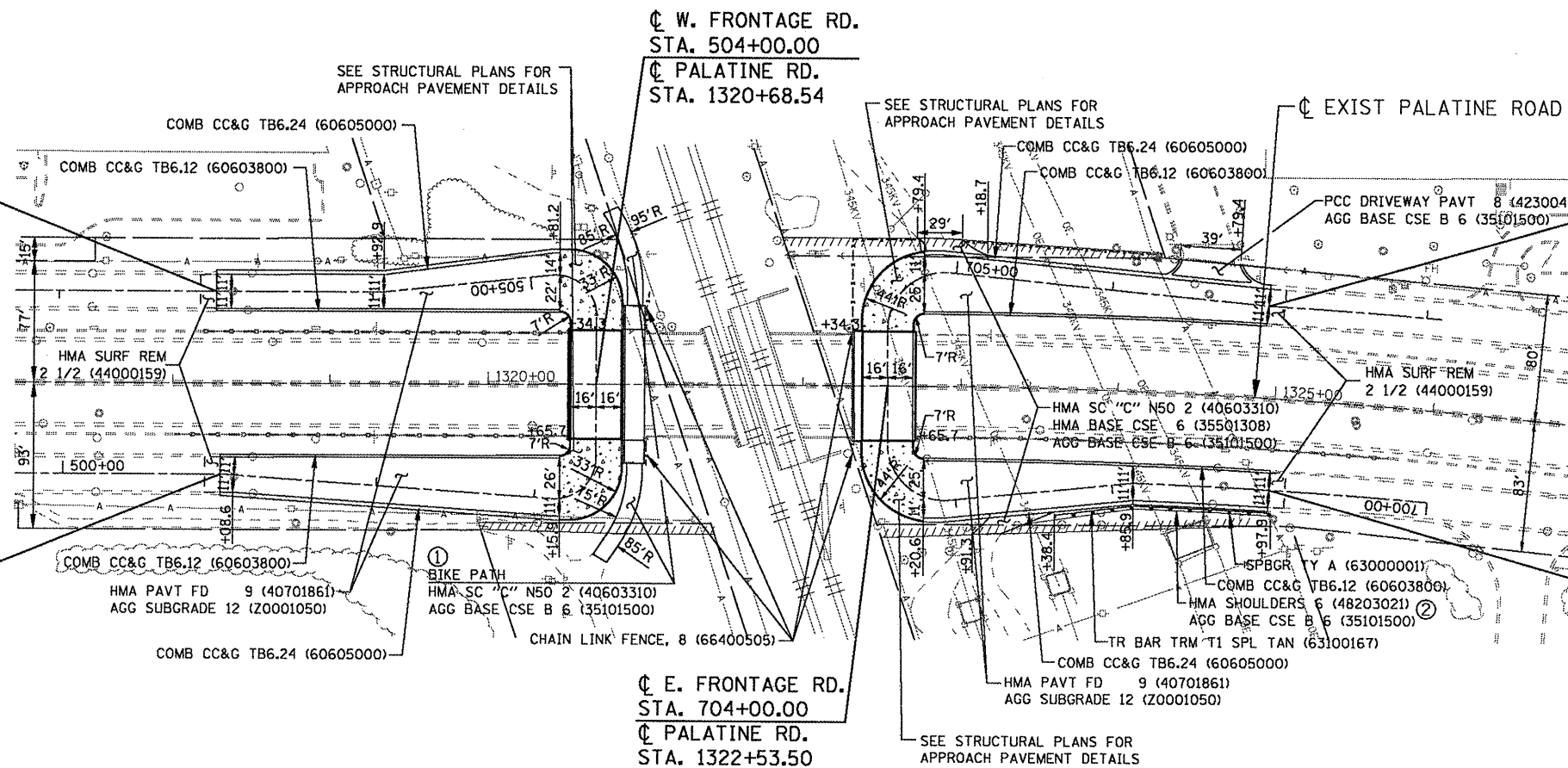
BEGIN IMPROVEMENTS
EAST FRONTAGE ROAD
STA. 701+00.00



REMOVAL PLAN

END IMPROVEMENTS
WEST FRONTAGE ROAD
STA. 507+00.00

BEGIN IMPROVEMENTS
WEST FRONTAGE ROAD
STA. 501+00.00



END IMPROVEMENTS
EAST FRONTAGE ROAD
STA. 707+00.00

BEGIN IMPROVEMENTS
EAST FRONTAGE ROAD
STA. 701+00.00

NOTES:
① SEE FRONTAGE ROAD DETAILS FOR BIKE PATH PLANS.
② SEE DISTRICT DETAIL FOR GUARDRAIL STABILIZATION.

PROPOSED PLAN

FILE NAME =	USER NAME = Zpried	DESIGNED - DLP	REVISED -
G:\projects\2002305\CADD\Civil\Shit\003\03PLMLPR...01.dgn		DRAWN - ENTRAN	REVISED -
		CHECKED - TMH	REVISED -
		DATE - 1/09	REVISED -

**STATE OF ILLINOIS
DEPARTMENT OF TRANSPORTATION**

**WEST AND EAST FRONTAGE ROADS
EXISTING AND PROPOSED ROADWAY PLAN**

SCALE: 1"=50'

F.A.P. RTE. 305	SECTION 1415 B	COUNTY COOK	TOTAL SHEETS 75	SHEET NO. 12
FED. ROAD DIST. NO.		ILLINOIS FED. AID PROJECT		