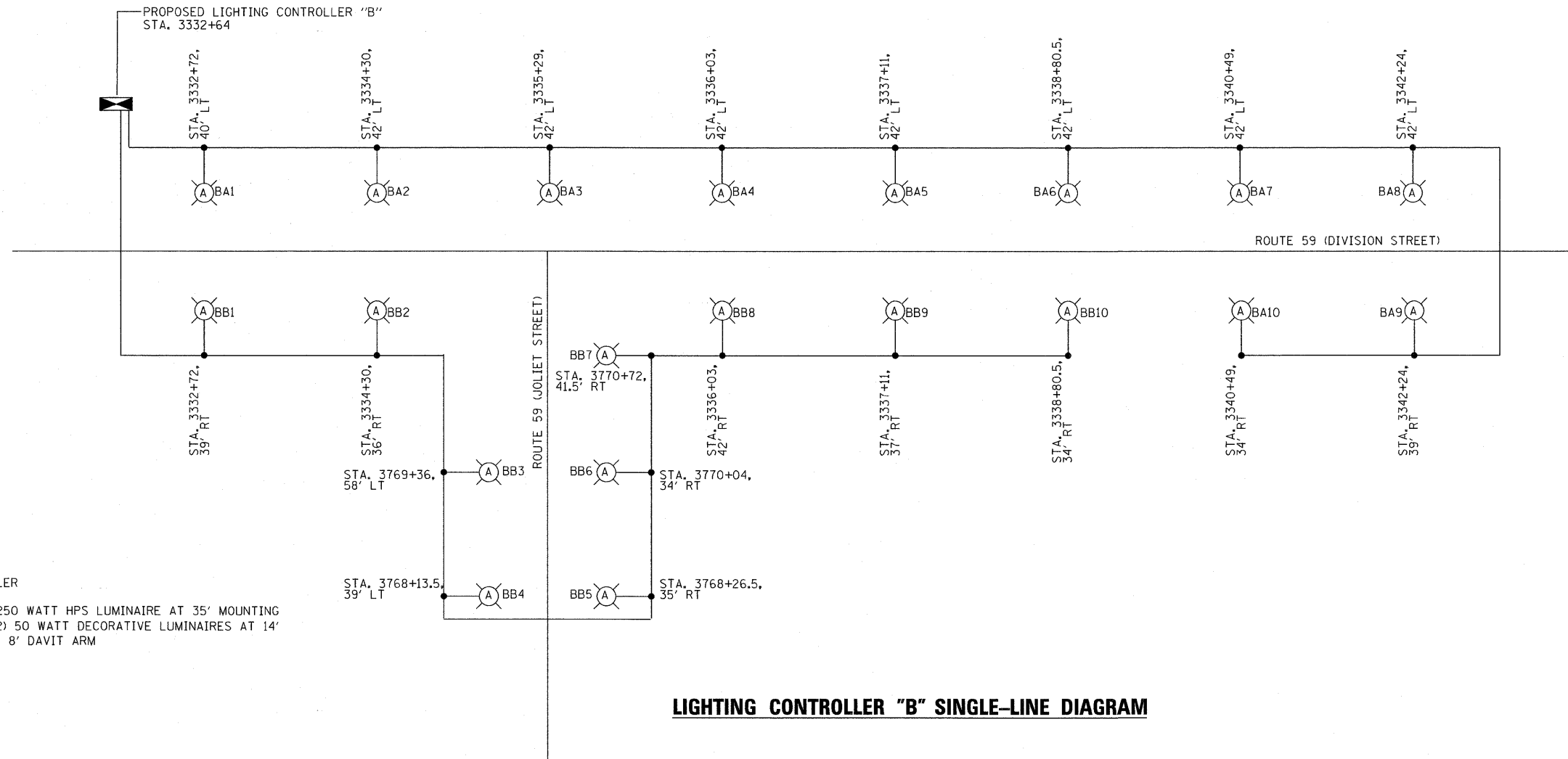




NOT TO SCALE

LOAD TABULATIONS FOR LIGHTING CONTROLLER "B"		
CIRCUIT	WATTS	AMPS
A	3,500	23.0
B	3,500	23.0
C	---	---
D	---	---
TOTAL	7,000	46.0



LEGEND

- LIGHTING CONTROLLER
- LIGHT POLE WITH 250 WATT HPS LUMINAIRE AT 35' MOUNTING HEIGHT AND TWO (2) 50 WATT DECORATIVE LUMINAIRES AT 14' MOUNTING HEIGHT. 8' DAVIT ARM

LIGHTING CONTROLLER "B" SINGLE-LINE DIAGRAM

FILE NAME = s:\p7\id\061206-r459-aster\41-design\north section\sign\plan\field\1 rt 59 b.k.w\work\main\north\663203-071681-lighting-one_line.dwg

USER NAME = 263mac	DESIGNED - SMV	REVISED -
	DRAWN - KAR	REVISED -
PLOT SCALE = 20.0000' / IN.	CHECKED - SMV	REVISED -
PLOT DATE = 1/5/2009	DATE - 06-13-08	REVISED -

STATE OF ILLINOIS
DEPARTMENT OF TRANSPORTATION

SINGLE-LINE DIAGRAM

SCALE: SHEET NO. 9 OF 9 SHEETS STA. TO STA.

F.A. RTE.	SECTION	COUNTY	TOTAL SHEETS	SHEET NO.
338	113 N-2	WILL	260	175
FED. ROAD DIST. NO. ILLINOIS			CONTRACT NO. 60E73	
			FAP 338 (IL RTE. 59)	