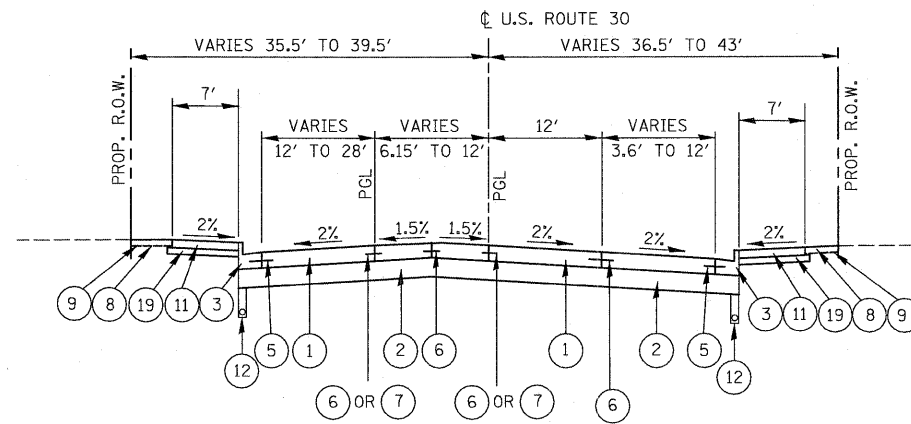
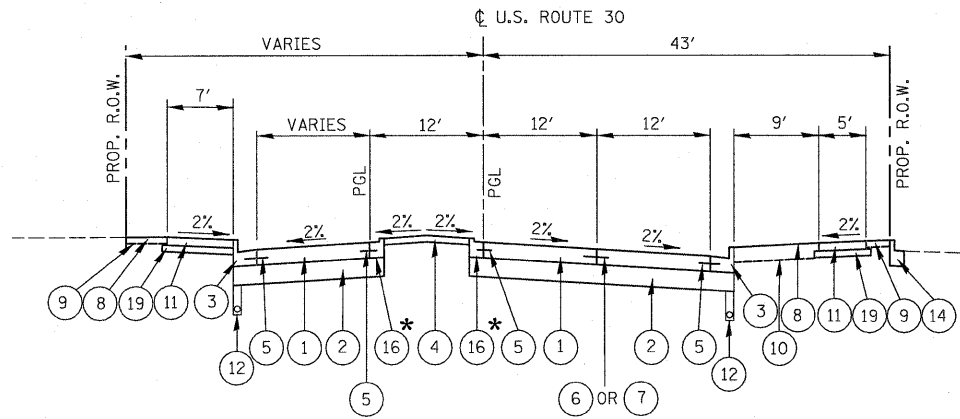


STA. 3764+00 TO STA. 3765+69

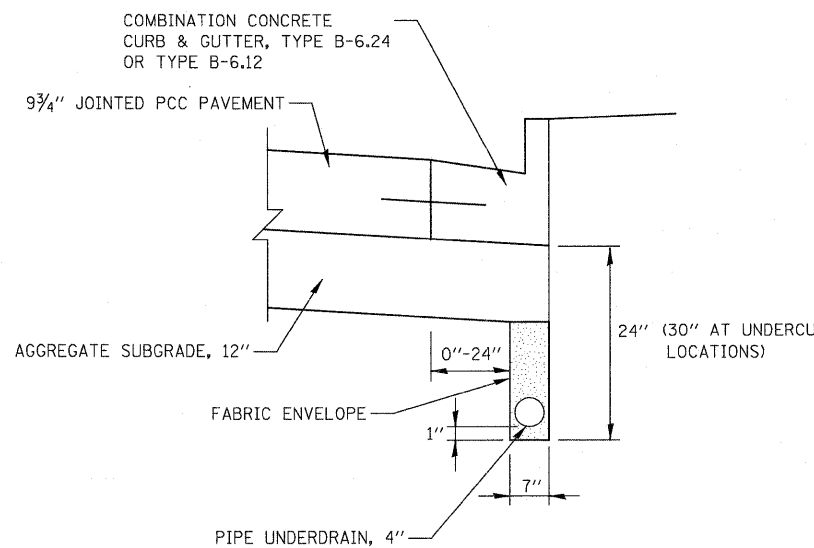


STA. 3765+69 TO STA. 3769+33

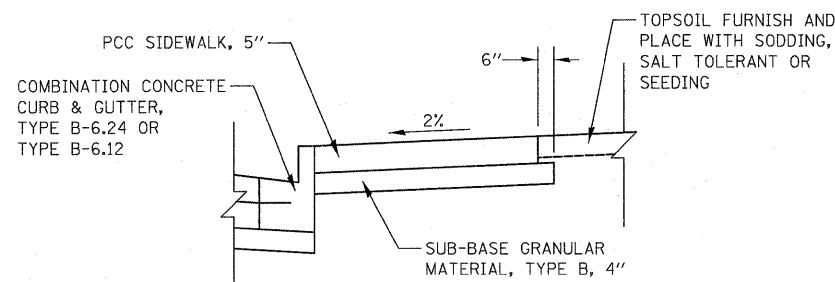


STA. 3769+33 TO STA. 3770+40

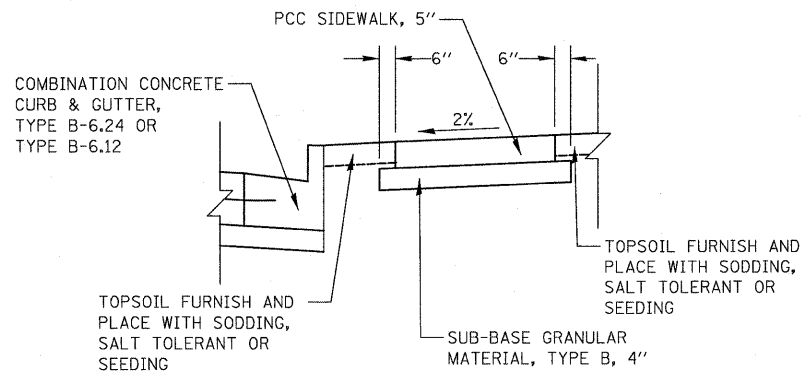
*SEE NOTE 1



PIPE UNDERDRAIN, FABRIC LINED TRENCH 4"



SUB-BASE GRANULAR MATERIAL PLACEMENT AT PCC SIDEWALK LOCATIONS DETAIL



LEGEND PROPOSED

- 1 PORTLAND CEMENT CONCRETE PAVEMENT 9 3/4" (JOINTED)
- 2 AGGREGATE SUBGRADE 12"
- 3 COMBINATION CONCRETE CURB AND GUTTER, TYPE B-6.24
- 4 STAMPED COLORED PORTLAND CEMENT CONCRETE MEDIAN SURFACE 8 INCH
- 5 NO. 6 x 24" TIE BARS (EPOXY COATED), GROUTED IN PLACE AT 24" O.C. INCLUDED IN COST OF COMBINATION CONCRETE CURB & GUTTER, STANDARD 606001.
- 6 LONGITUDINAL CONSTRUCTION JOINT GROUTED-IN-PLACE TIE BARS (EPOXY COATED) NO. 6 x 24" LONG DEFORMED TIE BARS AT 24" O.C. (STANDARD 420001) (INCLUDED IN THE COST OF CONCRETE PAVEMENT)
- 7 LONGITUDINAL SAWED JOINT - NO. 6 x 30" LONG DEFORMED TIE BARS (EPOXY COATED) AT 30" O.C. (STANDARD 420001) (INCLUDED IN THE COST OF CONCRETE PAVEMENT)
- 8 SODDING, SALT TOLERANT OR SEEDING (AS NOTED ON LANDSCAPE PLANS)
- 9 TOPSOIL FURNISH AND PLACE, 4"
- 10 TOPSOIL FURNISH AND PLACE, 12"
- 11 PORTLAND CEMENT CONCRETE SIDEWALK 5 INCH
- 12 PIPE UNDERDRAINS, FABRIC LINED TRENCH 4"
- 13 AGGREGATE SHOULDERS, TYPE B 4"
- 14 COMBINATION CONCRETE CURB AND GUTTER, TYPE B-6.12
- 15 COMBINATION CONCRETE CURB AND GUTTER, TYPE B-6.18
- 16 COMBINATION CONCRETE CURB AND GUTTER, TYPE M-2.12
- 17 HOT- MIX ASPHALT BASE COURSE, 8"
- 18 HOT- MIX ASPHALT SURFACE COURSE, MIX "D", N70, 2"
- 19 SUB-BASE GRANULAR MATERIAL, TYPE B 4"

NOTES:

1. PROPOSED CURB AND GUTTER ALONG THE CENTER MEDIAN SHALL BE CONSTRUCTED WITH REVERSE PITCHED GUTTER. THE COST OF THIS WORK SHALL BE INCLUDED IN THE CONTRACT UNIT PRICE FOR COMBINATION CONCRETE CURB AND GUTTER, TYPE M-2.12.

FILE NAME = #FILEL#	USER NAME = #USER#	DESIGNED - PJO	REVISED -	STATE OF ILLINOIS DEPARTMENT OF TRANSPORTATION	TYPICAL PROPOSED SECTIONS U.S. ROUTE 30			F.A. RTE. 338	SECTION 113 N-2	COUNTY WILL	TOTAL SHEETS 260	SHEET NO. 21
	PLOT SCALE = #SCALE#	DRAWN - PJO	REVISED -		SCALE: NONE	SHEET NO. 1 OF 1 SHEETS	STA. 3764+00 TO STA. 3770+40	FED. ROAD DIST. NO.	[ILLINOIS]	FAP 338 (IL RTE. 59)		
	PLOT DATE = #DATE#	CHECKED - JCM	REVISED -									
		DATE - JANUARY 16, 2009	REVISED -									