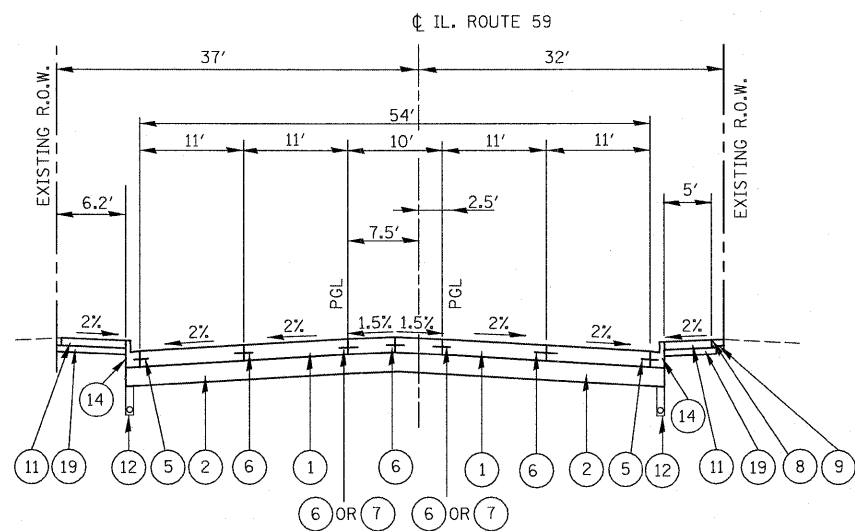
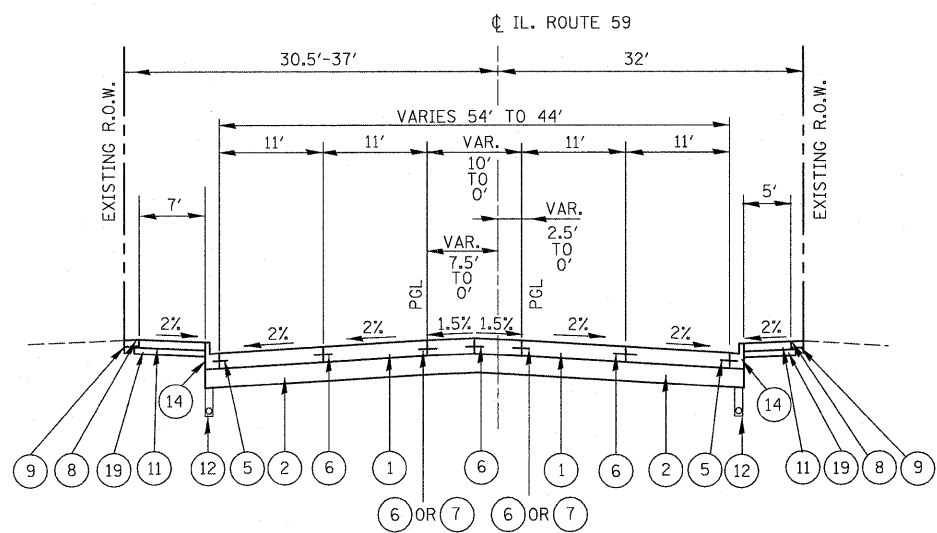


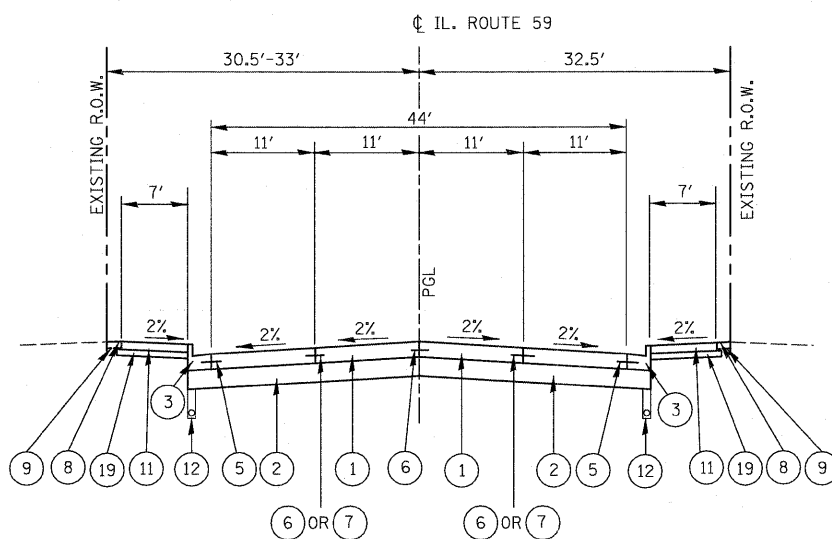
STA. 3342+15 TO STA. 3346+37.91



STA. 3346+37.91 TO STA. 3349+05



STA. 3349+05 TO STA. 3351+67.5



STA. 3351+67.5 TO STA. 3356+28

LEGEND PROPOSED

- 1 PORTLAND CEMENT CONCRETE PAVEMENT 9 3/4" (JOINTED)
- 2 AGGREGATE SUBGRADE 12"
- 3 COMBINATION CONCRETE CURB AND GUTTER, TYPE B-6.24
- 4 STAMPED COLORED PORTLAND CEMENT CONCRETE MEDIAN SURFACE 8 INCH
- 5 NO. 6 x 24" TIE BARS (EPOXY COATED), GROUTED IN PLACE AT 24" O.C. INCLUDED IN COST OF COMBINATION CONCRETE CURB & GUTTER, STANDARD 606001.
- 6 LONGITUDINAL CONSTRUCTION JOINT GROUTED-IN-PLACE TIE BARS (EPOXY COATED) NO. 6 x 24" LONG DEFORMED TIE BARS AT 24" O.C. (STANDARD 420001) (INCLUDED IN THE COST OF CONCRETE PAVEMENT)
- 7 LONGITUDINAL SAWED JOINT - NO. 6 x 30" LONG DEFORMED TIE BARS (EPOXY COATED) AT 30" O.C. (STANDARD 420001) (INCLUDED IN THE COST OF CONCRETE PAVEMENT)
- 8 SODDING, SALT TOLERANT OR SEEDING (AS NOTED ON LANDSCAPE PLANS)
- 9 TOPSOIL FURNISH AND PLACE, 4"
- 10 TOPSOIL FURNISH AND PLACE, 12"
- 11 PORTLAND CEMENT CONCRETE SIDEWALK 5 INCH
- 12 PIPE UNDERDRAINS, FABRIC LINED TRENCH 4" (SEE NOTE 1)
- 13 AGGREGATE SHOULDERS, TYPE B 4"
- 14 COMBINATION CONCRETE CURB AND GUTTER, TYPE B-6.12
- 15 COMBINATION CONCRETE CURB AND GUTTER, TYPE B-6.18
- 16 COMBINATION CONCRETE CURB AND GUTTER, TYPE M-2.12
- 17 HOT- MIX ASPHALT BASE COURSE, 8"
- 18 HOT- MIX ASPHALT SURFACE COURSE, MIX "D", N70, 2"
- 19 SUB-BASE GRANULAR MATERIAL, TYPE B 4" (SEE NOTE 2)

NOTES:

- 1. SEE PIPE UNDERDRAIN, FABRIC LINED TRENCH DETAIL ON TYPICAL PROPOSED SECTIONS U.S. ROUTE 30 SHEET.
- 2. SEE SUB-BASE GRANULAR MATERIAL PLACEMENT AT PCC SIDEWALK LOCATIONS DETAIL ON TYPICAL PROPOSED SECTIONS U.S. ROUTE 30 SHEET.

FILE NAME =	USER NAME = #USER#	DESIGNED - PJO	REVISED -	STATE OF ILLINOIS DEPARTMENT OF TRANSPORTATION	TYPICAL PROPOSED SECTIONS ILLINOIS ROUTE 59			F.A. RTE.	SECTION	COUNTY	TOTAL SHEETS	SHEET NO.
#FILE#	PLOT SCALE = #SCALE#	DRAWN - PJO	REVISED -					338	113 N-2	WILL	260	20
	PLOT DATE = #DATE#	CHECKED - JCM	REVISED -		CONTRACT NO. 60E73							
		DATE - JANUARY 16, 2009	REVISED -		SCALE: NONE	SHEET NO. 2 OF 2 SHEETS	STA. 3346+38 TO STA. 3356+28	FED. ROAD DIST. NO. [ILLINOIS]	FAP 338 (IL RTE. 59)			