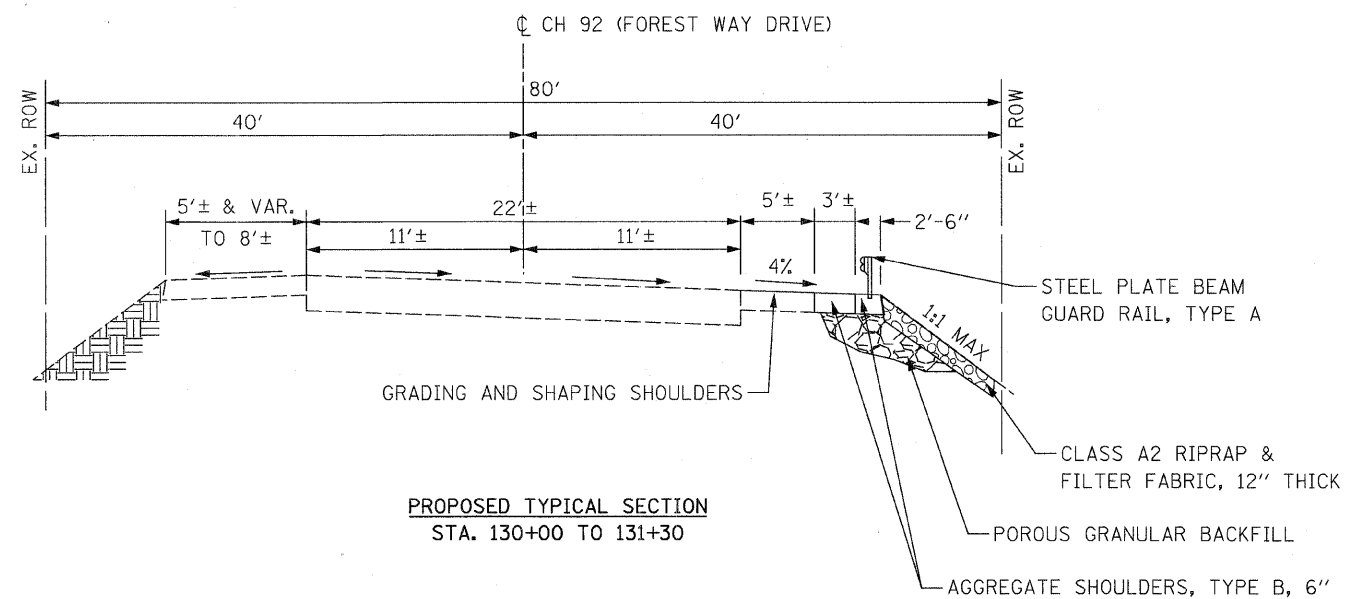


EXISTING TYPICAL SECTION
STA. 130+00 TO 131+30



PROPOSED TYPICAL SECTION
STA. 130+00 TO 131+30

FILE NAME = 1024M_sht_TYP.dgn
PLOT DATE = 1/23/2009

CHRISTIAN-ROGE & ASSOCIATES, INC.
ENGINEERS-PLANNERS-SURVEYORS
211 WEST WACKER DRIVE
CHICAGO, ILLINOIS 60606
PHONE: (312)372-2023 FAX: (312)372-5274

DESIGNED - S.J.P.	REVISED -
DRAWN - A.Y.	REVISED -
CHECKED - S.J.P.	REVISED -
DATE - JANUARY 27, 2009	REVISED -

STATE OF ILLINOIS
DEPARTMENT OF TRANSPORTATION

TYPICAL SECTIONS & DETAILS
CH 92 (FOREST WAY DRIVE)

SCALE: SHEET NO. 1 OF 1 SHEETS STA. 130+00 TO STA. 131+15

CH	SECTION	COUNTY	TOTAL SHEETS	SHEET NO.
92	2008-029 I	COOK	15	4
CONTRACT NO. 60E61				
ILLINOIS FED. AID PROJECT				