

IDOT SIGNS REQUIRED:
(FOR PRE-STAGE DETOUR)

ROAD CLOSED
XX MILES AHEAD
LOCAL TRAFFIC ONLY

R11-3A
60" x 30"

(A)

ROAD CLOSED
TO
THRU TRAFFIC

R11-4
60" x 30"

(B)



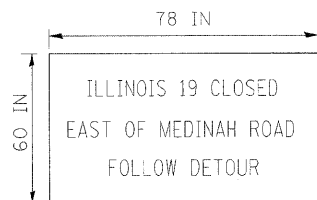
M4-10L
48" x 18"

(C)



M4-10R
48" x 18"

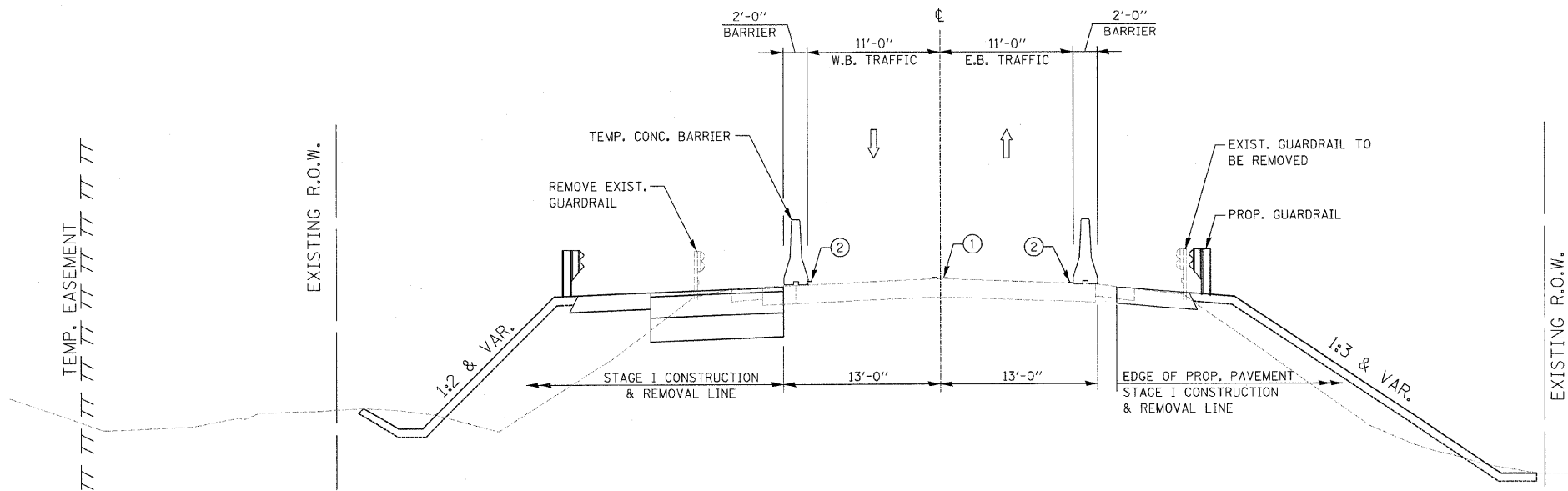
(D)



SPECIAL 78" x 60"
BLACK LETTERS ON
WHITE REFLECTIVE
BACKGROUND

(E)

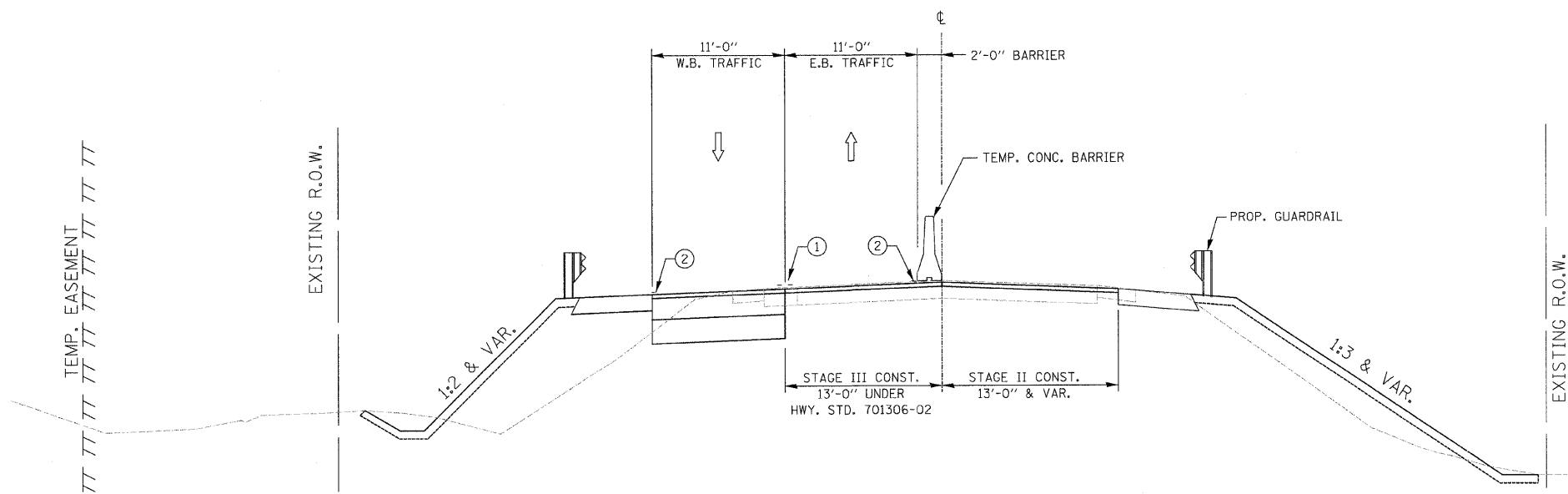
IL. 19 (Irving Park Rd.)



**STAGE I TYPICAL SECTION
(LOOKING EAST)**

- ① PAVEMENT MARKING TAPE, TYPE III - LINE 4" DOUBLE YELLOW - CENTERLINE
- ② PAVEMENT MARKING TAPE, TYPE III - LINE 4" SOLID WHITE - EDGE LINE

IL. 19 (Irving Park Rd.)



**STAGE II TYPICAL SECTION
(LOOKING EAST)**

- ① PAVEMENT MARKING TAPE, TYPE III - LINE 4" DOUBLE YELLOW - CENTERLINE
- ② PAVEMENT MARKING TAPE, TYPE III - LINE 4" SOLID WHITE - EDGE LINE

FILE NAME = E:\0707\IrvingPark\Phase Two\sheet.Typical Sections.dgn	USER NAME = DMM	DESIGNED - SGL	REVISED -
		DRAWN - SGL	REVISED -
	PLOT SCALE = NOT TO SCALE	CHECKED - FML	REVISED -
	PLOT DATE = 05/08/2008	DATE - 11/2008	REVISED -

**STATE OF ILLINOIS
DEPARTMENT OF TRANSPORTATION**

**MAINTENANCE OF TRAFFIC TYPICAL SECTION
IL ROUTE 19 (IRVING PARK ROAD) OVER MEACHAM CREEK**

SCALE: N/A SHEET NO. OF SHEETS STA. 103+95.00 TO STA. 114+60.00

F.A.U. RTE. 1321	SECTION 31T-2	COUNTY DUPAGE	TOTAL SHEETS 59	SHEET NO. 22
FED. ROAD DIST. NO. ILLINOIS		FED. AID PROJECT CONTRACT NO. 60A90		