

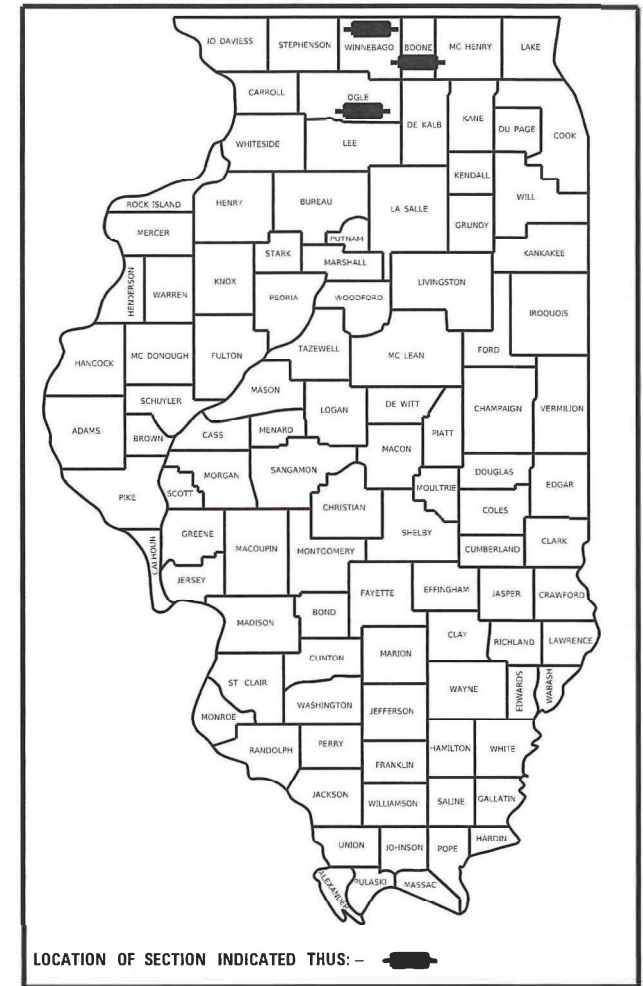
STATE OF ILLINOIS
DEPARTMENT OF TRANSPORTATION

F.A. SHEETS	SECTION	COUNTY	TOTAL SHEETS	SHEET NO.
VAR.	D2 GRDRL DELIN MAINT INT 22-02	VARIOUS	5	1
ILLINOIS		CONTRACT NO. 46566		

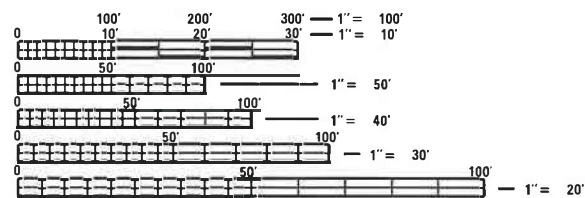
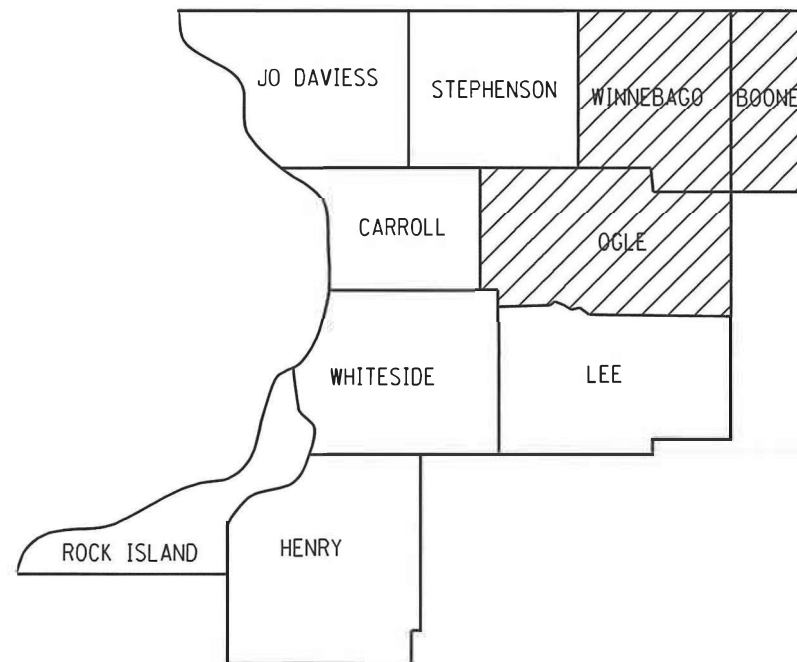
FOR INDEX OF SHEETS, SEE SHEET NO. 2
FOR STATE STANDARDS, SEE SHEET NO. 2

PROPOSED
HIGHWAY PLANS

VARIOUS ROUTES
SECTION D2 GRDRL DELIN MAINT INT 22-02
GUARDRAIL DELINEATOR MAINTENANCE
VARIOUS COUNTIES



M-60-002-22



FULL SIZE PLANS HAVE BEEN PREPARED USING STANDARD ENGINEERING SCALES. REDUCED SIZED PLANS WILL NOT CONFORM TO STANDARD SCALES. IN MAKING MEASUREMENTS ON REDUCED PLANS, THE ABOVE SCALES MAY BE USED.

J.U.L.I.E.
JOINT UTILITY LOCATION INFORMATION FOR EXCAVATION
1-800-892-0123
OR 811

PROJECT ENGINEER: TROY EBENEZER (815) 284-5491
PROJECT MANAGER: KRISTIE NYDEREK (815) 284-5469

CONTRACT NO. 46566

STATE OF ILLINOIS
DEPARTMENT OF TRANSPORTATION

SUBMITTED January 22nd 2021

[Signature] REGIONAL ENGINEER

March 19, 2021

[Signature] ENGINEER OF DESIGN AND ENVIRONMENT

March 19, 2021

[Signature] DIRECTOR OF HIGHWAYS PROJECT IMPLEMENTATION '13

PRINTED BY THE AUTHORITY
OF THE STATE OF ILLINOIS

INDEX OF SHEETS

1	COVER SHEET
2	INDEX OF SHEETS, STATE STANDARDS & GENERAL NOTES
3	SUMMARY OF QUANTITIES
4	SCHEDULE OF QUANTITIES
5	FLEX-STRAIGHT GUARDRAIL REFLECTOR STANDARD

STATE STANDARDS

701006-05	OFF-ROAD OPERATION, 2L2W, 15FT TO E.O.P.
701011-04	OFF-ROAD MOVING OPERATION, 2L2W, DAY ONLY
701101-05	OFF-ROAD OPERATION, MULTI-LANE, LESS THAN 15FT TO E.O.P.
701106-02	OFF-ROAD OPERATION, MULTI-LANE, MORE THAN 15FT AWAY
701301-04	LANE CLOSURE, 2L2W, SHORT TIME OPERATION
701406-12	LANE CLOSURE, FREEWAY-EXPRESSWAY, DAY OPERATION ONLY
701426-09	LANE CLOSURE, MULTI-LANE, INTERMITTANT OR MOVING OPERATION, ≥ 45 MPH
701427-05	LANE CLOSURE, MULTI-LANE, INTERMITTANT OR MOVING OPERATION, ≤ 40 MPH
701901-08	TRAFFIC CONTROL DEVICES
720011-01	METAL POSTS FOR SIGNS, MARKERS & DELINEATORS
725001-01	OBJECT & TERMINAL MARKERS
782006-01	GUARDRAIL & BARRIER WALL REFLECTOR MOUNTING DETAILS
729001-01	APPLICATION OF TYPES A & B POSTS FLEX-STRAIGHT, DOUBLE SIDED GUARDRAIL REFLECTOR

GENERAL NOTES

ALL GUARDRAIL DELINEATORS TYPE C SPECIALS SHALL BE OF THE FLEX-STRAIGHT, DOUBLE SIDED STYLE

AT LOCATIONS THAT ARE TO RECEIVE A NEW TERMINAL MARKER - POST MOUNTED, ALL EXISTING TERMINAL MARKER - POST MOUNTED POSTS AND PANELS SHALL BE REMOVED AND DISPOSED OF. ALL POST AND PANELS THAT ARE REMOVED UNDER THIS CONTRACT SHALL BECOME THE PROPERTY OF THE CONTRACTOR.

THE CONTRACTOR IS SOLELY RESPONSIBLE FOR CALLING JULIE LOCATES IN ALL AREAS THAT ARE TO RECEIVE NEW TERMINAL MARKER POSTS PRIOR TO THE INSTALLATION OF THE NEW POSTS.

AT LOCATIONS THAT ARE TO RECEIVE NEW GUARDRAIL MARKERS - TYPE C SPECIAL, THE CONTRACTOR SHALL REMOVE AND DISPOSE OF ANY EXISTING REFLECTOR MARKERS - TYPE A OR TYPE B OR TYPE C ON GUARDRAIL, PARAPET OR BRIDGE RAIL AS WELL AS ANY ADHESIVE USED TO SECURE THE REFLECTOR MARKERS, TYPE B OR TYPE C, TO THE SATISFACTION OF THE ENGINEER. ALL REMOVED REFLECTOR MARKERS, TYPE A OR TYPE B OR TYPE C, SHALL BECOME THE PROPERTY OF THE CONTRACTOR. ALL COST AND LABOR ASSOCIATED WITH THE REMOVAL OF THE REFLECTOR MARKERS, TYPE B OR TYPE C, SHALL BE INCLUDED WITH GUARDRAIL MARKERS, TYPE C SPECIAL.

AT LOCATIONS THAT ARE TO RECEIVE A NEW TERMINAL MARKER - DIRECT APPLIED, ALL EXISTING TERMINAL MARKER - DIRECT APPLIED, SHALL BE REMOVED AND DISPOSED OF. ALL TERMINAL MARKERS THAT ARE REMOVED UNDER THIS CONTRACT SHALL BECOME THE PROPERTY OF THE CONTRACTOR.

THE QUANTITIES SPECIFIED IN THIS CONTRACT ARE ONLY AN ESTIMATE OF THE QUANTITIES REQUIRED FOR THE DURATION OF THE CONTRACT. THE ESTIMATE IS GIVEN TO ALLOW CONTRACTORS TO ESTABLISH A UNIT PRICE SO THAT THE DEPARTMENT MAY DETERMINE A LOW BIDDER. IT SHALL BE UNDERSTOOD THAT THE UNIT PRICE SHALL PREVAIL THROUGHOUT THE PERIOD OF THIS CONTRACT REGARDLESS OF THE QUANTITY.

MODEL: D:\p1\submit - 2022 - Guardrail Contract\Front\Submit to Spinal\filed\46566 - Guardrail Delineator Plans.dgn

USER NAME = ebenezertg	DESIGNED - _____	REVISED - _____	STATE OF ILLINOIS DEPARTMENT OF TRANSPORTATION	INDEX OF SHEETS, STATE STANDARDS & GENERAL NOTES		F.A. RTE. _____	SECTION _____	COUNTY _____	TOTAL SHEETS _____	SHEET NO. _____
PLOT SCALE = 102.9963' / in.	DRAWN - _____	REVISED - _____		SCALE: _____	SHEET _____ OF _____ SHEETS	STA. _____ TO STA. _____	VAR. _____	D2 GRDRL DELIN MAINT INT 22-02	VARIOUS	2
PLOT DATE = Jan-22-2021 03:25:53 PM	CHECKED - _____	REVISED - _____						CONTRACT NO. 46565		
							ILLINOIS		FED. AID PROJECT	

SUMMARY OF QUANTITIES

PAYCODE	ITEM DESCRIPTION	UNITS	TOTAL QUANTITY	CONSTR. CODE
				GUARDRAIL DELINEATORS 100% STATE
72501000	TERMINAL MARKER - DA	EACH	1,025	1,025
72501100	TERMINAL MARKER - PM	EACH	89	89
X7820007	GUARDRAIL REFLECTORS, TYPE C (SPECIAL)	EACH	4,953	4,953

MODEL: Default
 FILE NAME: D:\465656 - 2022 Guardrail Contract Items\Submit to Springfield\465656 Guardrail delineator plans.dgn

USER NAME = ebenezertg PLOT SCALE = 102.9963 1 / in. PLOT DATE = Jan-22-2021 03:26:03 PM	DESIGNED - _____ DRAWN - _____ CHECKED - _____ DATE - _____	REVISED - _____ REVISED - _____ REVISED - _____ REVISED - _____	STATE OF ILLINOIS DEPARTMENT OF TRANSPORTATION	SUMMARY OF QUANTITIES SCALE: _____ SHEET ____ OF ____ SHEETS STA. _____ TO STA. _____	F.A. RTE. _____ VAR. D2 GRDRL DELIN MAIN1 COUNTY VARIOUS SECTION _____ TOTAL SHEETS 3 SHEET NO. 3 CONTRACT NO. 46565 ILLINOIS FED. AID PROJECT
--	--	--	---	---	---

SCHEDULE OF QUANTITIES

BOONE, OGLE AND WINNEBAGO COUNTIES

		TERMINAL MARKER									
		GUARDRAIL REFLECTOR		DIRECT APPLIED 72501000						POST MOUNT 72501100	
FIELD TOTALS	TYPE C SPECIAL (FLEX-STRAIGHT, DOUBLE SIDED)	12" X 18"		18" X 18"		12" X 24"		12" X 16"			
		CRYSTAL	AMBER	LT	RT	LT	RT	LT	RT	LT	RT
BOONE		333	29	0	0	33	32	12	10	7	8
OGLE		2003	92	6	9	157	164	65	60	22	17
WINNEBAGO		1500	626	0	0	113	117	83	79	16	10
	(+15%)	351	19	1	2	29	30	12	11	5	4
CONTRACT TOTALS		4187	766	7	11	332	343	172	160	50	39

MODEL: Default
 FILE NAME: D:\46565 - 2023 Guardrail Contract\Contract Frames\Submit to Springfield\46565 Guardrail delineator plans.dgn

I/SFR NAME = ebenezertg DESIGNED - _____ DRAWN - _____ PLOT SCALE = 102.9963' / in. CHECKED - _____ PLOT DATE = Jan-22-2021 03:26:10 PM DATE - _____	REVISED - _____ REVISED - _____ REVISED - _____ REVISED - _____
--	--

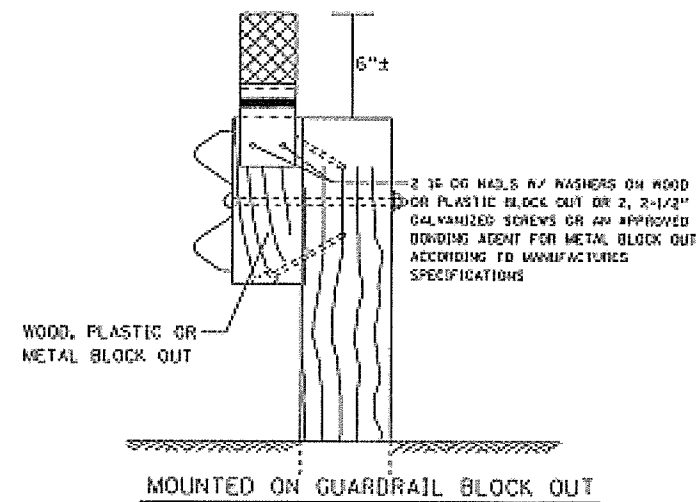
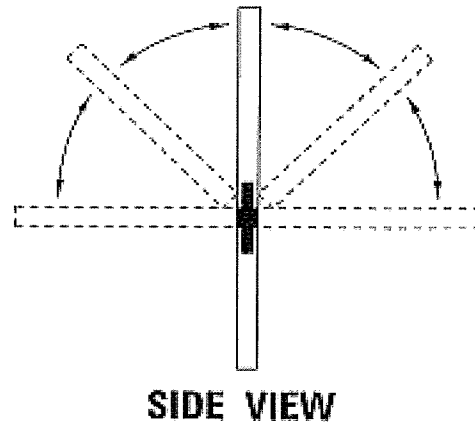
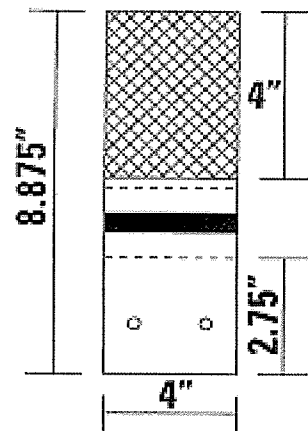
STATE OF ILLINOIS
DEPARTMENT OF TRANSPORTATION

SCHEDULE OF QUANTITIES
 SCALE: _____ SHEET _____ OF _____ SHEETS STA. _____ TO STA. _____

F.A. RTE.	SECTION D2 GRDRL DELIN MAINT INT 22-02	COUNTY VARIOUS	TOTAL SHEETS	SHEET NO.
			4	4
CONTRACT NO. 46565				
ILLINOIS FED. AID PROJECT				

FLEX-STRAIGHT GUARDRAIL REFLECTOR

FLEX-STRAIGHT GUARDRAIL REFLECTOR



REFLECTORS MAY BE MOUNTED DIRECTLY TO METAL, WOOD OR PLASTIC BLOCK OUTS.

IF MOUNTED ON WOODEN OR PLASTIC BLOCK OUT THE REFLECTORS SHALL BE MOUNTED USING 2 16 DG NAILS AND 2 3/8" WASHERS OR 2 2-1/2" GALVANIZED SCREWS.

IF MOUNTED ON METAL BLOCK OUT THE REFLECTORS SHALL BE MOUNTED USING AN APPROVED BONDING AGENT PER THE MANUFACTURER'S SPECIFICATIONS.

NOTE:
REFLECTORS COME STANDARD WITH REFLECTIVE SHEETING ON ONE SIDE AND 4" RISE.

REFLECTORS INSTALLED ON TWO LANE ROADS SHALL BE DOUBLE SIDED.

REFLECTORS INSTALLED ON DIVIDED HIGHWAYS SHALL BE SINGLE SIDED.

SHEETING COLOR SHALL BE CALLED OUT IN THE PLANS.

SPACING FOR GUARDRAIL SHALL BE ACCORDING TO STANDARD TENDING UNLESS NOTED DIFFERENT IN THE PLANS.

PLOT DATE = Jul-15-2019 8:01:49 AM

REVISED -	REGION 2 / DISTRICT 2 STANDARD				F.A. RTE.	SECTION	COUNTY	TOTAL SHEETS	SHEET NO.
REVISED -									
REVISED -									
REVISED -									
SCALE: 7/8" = 1' - 0"		SHEET NO.	OF	SHEETS	STA.	TO STA.	CONTRACT NO.		
					FED. ROAD DIST. NO.	ILLINOIS	FED. AID PROJECT		

MODEL: Default
FILE NAME: D:\46566 - 2022 Guardrail Contract From\Submit to Springfield\46566 guardrail delineator plans.dgn

USER NAME = ebenertzg	DESIGNED - _____	REVISED - _____
PLOT SCALE = 102.9963" / in.	DRAWN - _____	REVISED - _____
PLOT DATE = Jan-22-2021 10:12:05 AM	CHECKED - _____	REVISED - _____
	DATE - _____	REVISED - _____

**STATE OF ILLINOIS
DEPARTMENT OF TRANSPORTATION**

FLEX-STRAIGHT GUARDRAIL REFLECTOR			
SCALE: _____	SHEET _____	OF _____	SHEETS
STA. _____	TO STA. _____		

F.A. RTE.	SECTION	COUNTY	TOTAL SHEETS	SHEET NO.
VAR.	D2 GRDRL DELIN MAINT INT 22.02	VARIOUS		5
CONTRACT NO. 46565				
ILLINOIS FED. AID PROJECT				