

ROUTE NO.	SECTION	COUNTY	SHEET	SHEET NO. 11
F.A.I. 57	02-1B11	ALEXANDER	15	17
FED. ROAD DIST. NO. 7	ILLINOIS	FED. AID PROJECT		13 SHEETS

Joint Size	"C" at 50°F	"D" at 50°F
2"	2"	1 1/2" Min.
2 1/2"	2 1/2"	1 3/4" Min.
4"	3"	2 1/2" Min.

STATE OF ILLINOIS
DEPARTMENT OF TRANSPORTATION

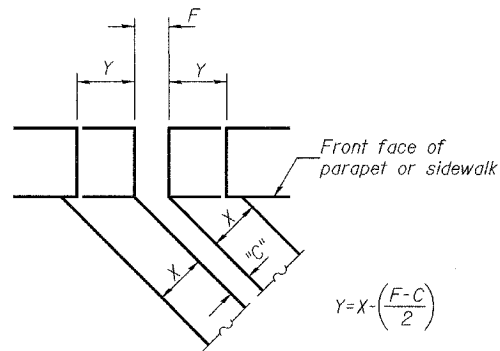
INSTALLATION NOTES

- Install continuous seal in roadway, parapet, curb, and sidewalk.
- Install anchor blocks as indicated.

NOTE A: Maximum spacing of anchor bolts shall be 12" centers.

SKEW LIMITATIONS

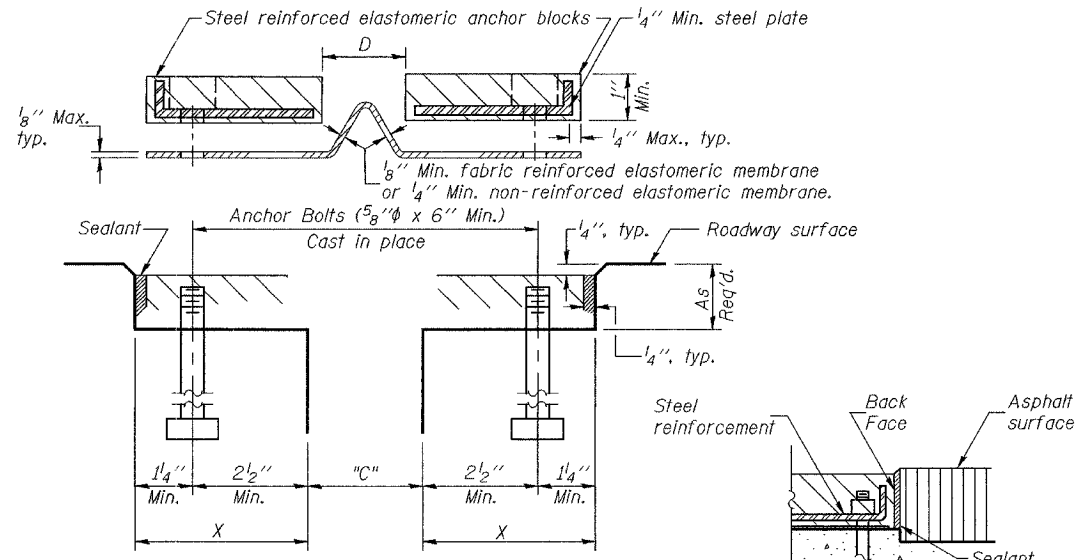
The details of the anchor blocks and the elastomeric membrane in the parapet, as shown, are for up to 50° skews. For skews greater than 50°, the anchor blocks and the elastomeric membrane, installed according to dimension "D", might require modifications to insure a minimum clearance of 1 1/2" from centerline of anchor studs to edge of parapet opening. The anchor blocks and the elastomeric membrane shall also be installed to the top of the parapet with the anchor studs spaced at ±12" cts.



FORMING BLOCKOUT SKETCH

$$Y = X \cdot \left(\frac{F - C}{2} \right)$$

For dimension "F" see sheets 9 of 13.



CROSS SECTION

ANCHOR BLOCK WITH ASPHALT SURFACE

GENERAL NOTES

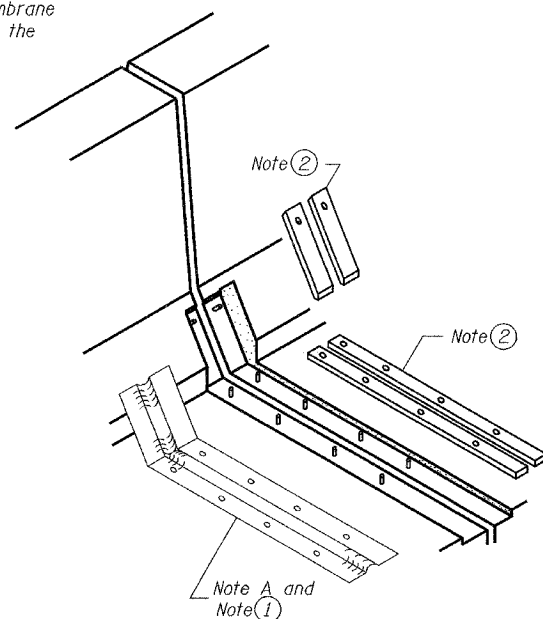
Continuous Seal Neoprene Expansion Joint shall consist of molded anchor blocks of elastomer and steel, field assembled over continuous lengths of elastomeric membrane.

The elastomeric membrane shall be premolded with a single or a double upward convolution that will have a "memory" to return to its molded position upon joint closure.

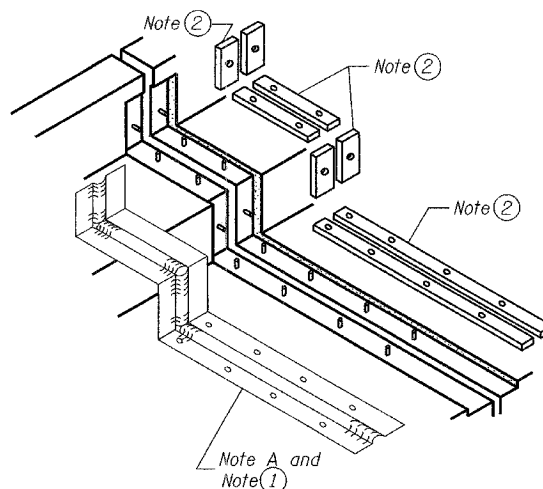
The convolution length shall be such that the extended length will not be greater than the manufactured length when the joint is fully expanded in its design range and will not protrude above the anchor blocks when the joint is fully compressed.

Joint openings shall be adjusted according to Article 503.10(c) of the Standard Specifications when the deck is poured at an ambient temperature other than 50° F.

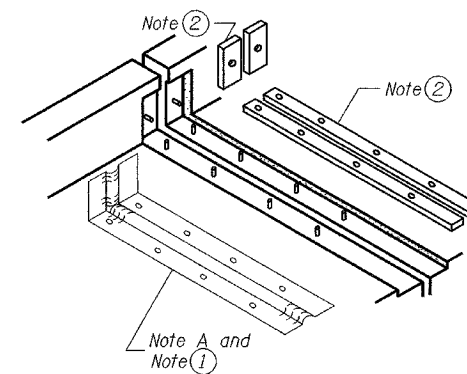
The parapet and roadway membrane shall be made continuous by an approved vulcanizing process. Lapping will not be permitted.



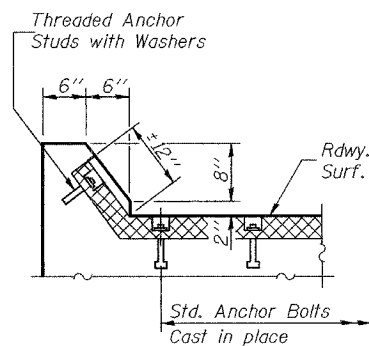
AT PARAPET



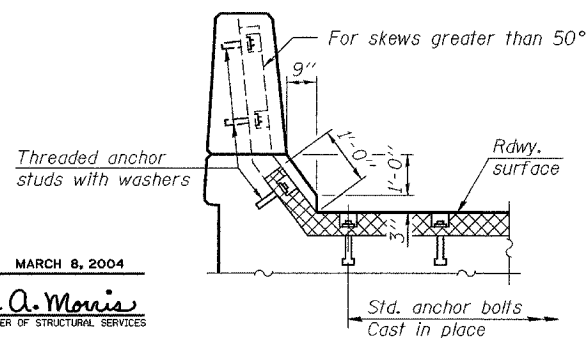
AT SIDEWALK OR MEDIAN



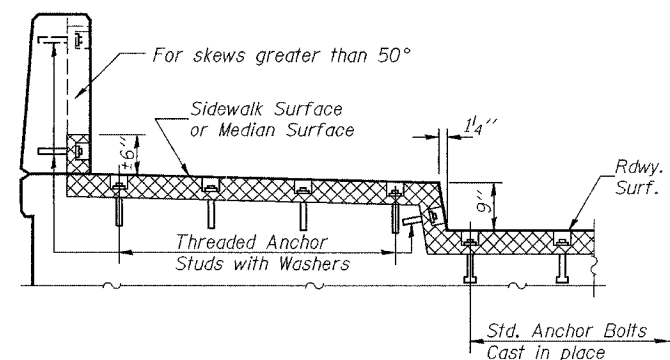
AT WALL



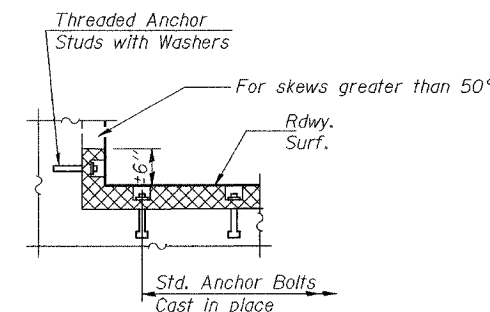
AT CURB



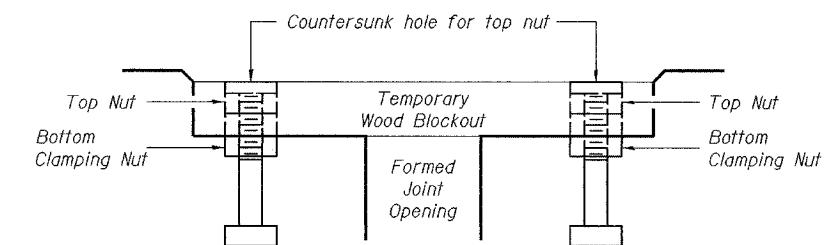
AT PARAPET



**AT SIDEWALK OR MEDIAN
TYPICAL END TREATMENTS**



AT WALL



Note: Stud needs to be threaded lower to allow for use of clamping nut.

RECOMMENDED BLOCKOUT DETAIL

DESIGNED	JSB
CHECKED	ATH
DRAWN	bdl/va
CHECKED	JSB ATH
EJ-CS	9-01-03

MARCH 8, 2004
EXAMINED *John A. Morris*
ENGINEER OF STRUCTURAL SERVICES
PASSED

ENGINEER OF BRIDGES AND STRUCTURES

**NEOPRENE EXPANSION JOINT
I-57 OVER CACHE RIVER
F.A.I. RTE. 57 - SEC. (02-1B)I
ALEXANDER COUNTY
STATION 943+72.00
SN 002-0003 (NB) & 002-0004 (SB)**