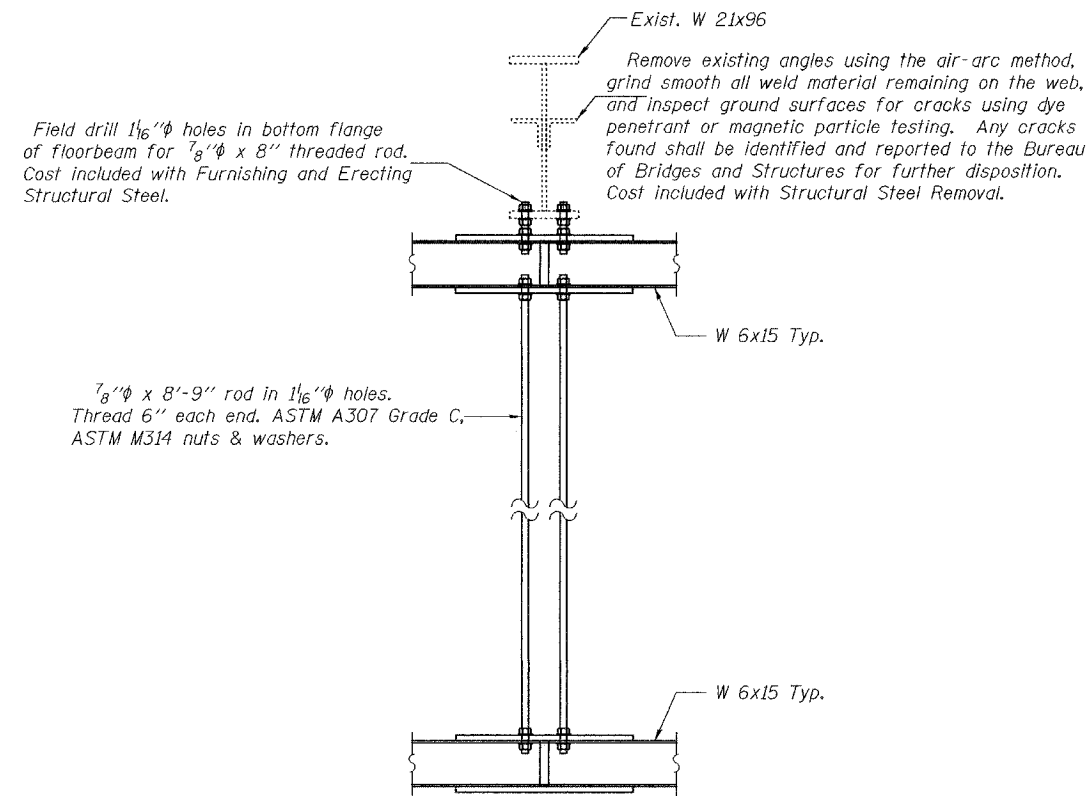


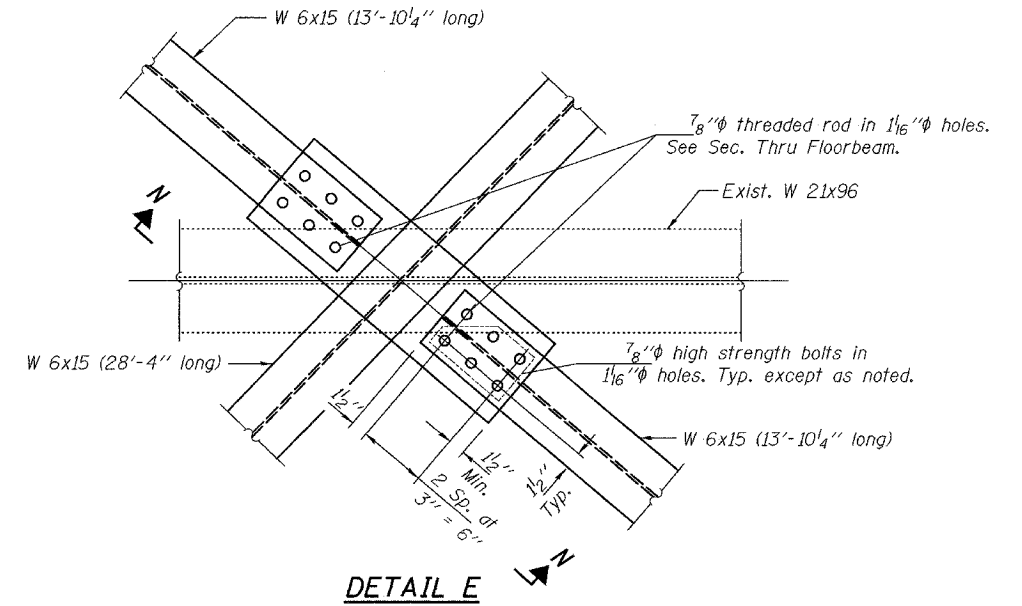
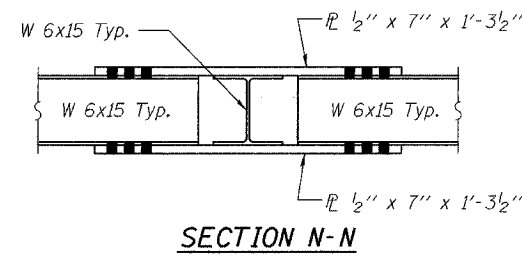
STATE OF ILLINOIS
DEPARTMENT OF TRANSPORTATION

ROUTE NO.	SECTION	COUNTY	SHEET NO.	SHEET	SHEET NO. 8 13 SHEETS
F.A.I. 57	(02-1B)I	ALEXANDER	12	17	
FED. ROAD DIST. NO. 7	ILLINOIS	FED. AID PROJECT-			



SECTION THRU FLOORBEAM

Note: $\frac{7}{8}$ " ϕ splice bolts not shown for clarity. See Detail E.



DESIGNED	JSB
CHECKED	VHV
DRAWN	ballva
CHECKED	JSB VHV

MARCH 8, 2004

EXAMINED *John A. Morris*
ENGINEER OF STRUCTURAL SERVICES

PASSED
ENGINEER OF BRIDGES AND STRUCTURES

REPAIR DETAILS
I-57 OVER CACHE RIVER
F.A.I. RTE. 57 - SEC. (02-1B)I
ALEXANDER COUNTY
STATION 943+72.00
SN 002-0003 (NB) & 002-0004 (SB)