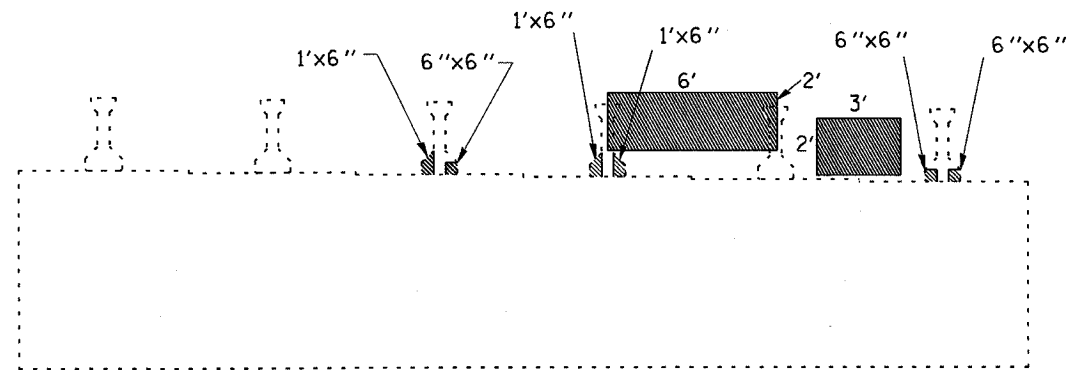
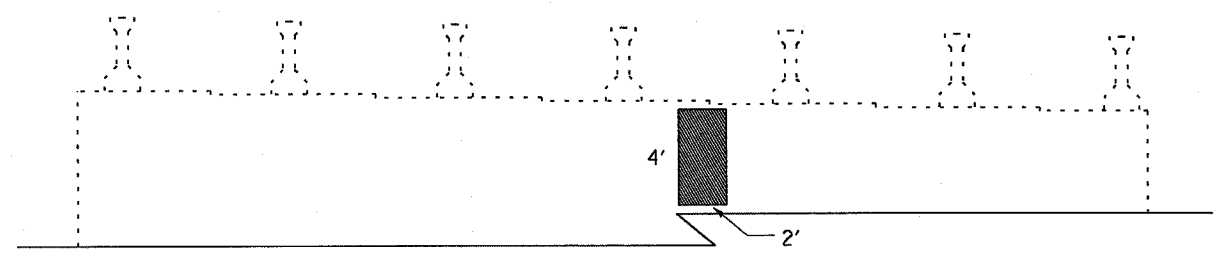


STATE OF ILLINOIS
DEPARTMENT OF TRANSPORTATION

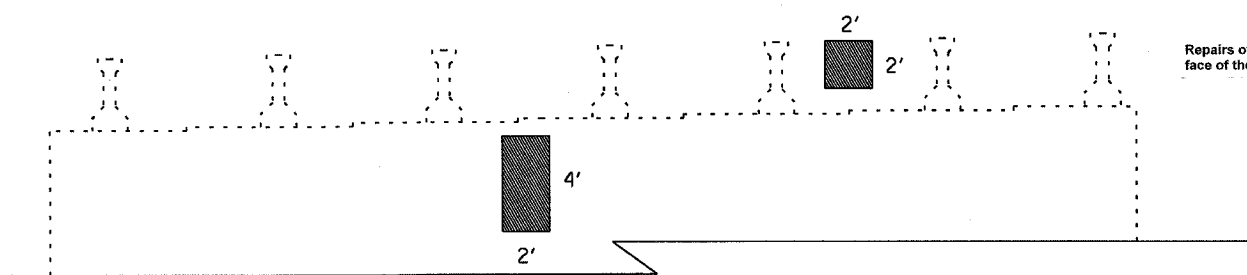
F.I.L.S. SHEET	SECTION	COUNTY	TOTAL SHEETS	SHEET NO.
24	#	JOHNSON	150	150C
STA.	TO STA.			
FED. ROAD DIST. NO.	ILLINOIS	FED. AID PROJECT		
* BSMART FY04-3 98836				



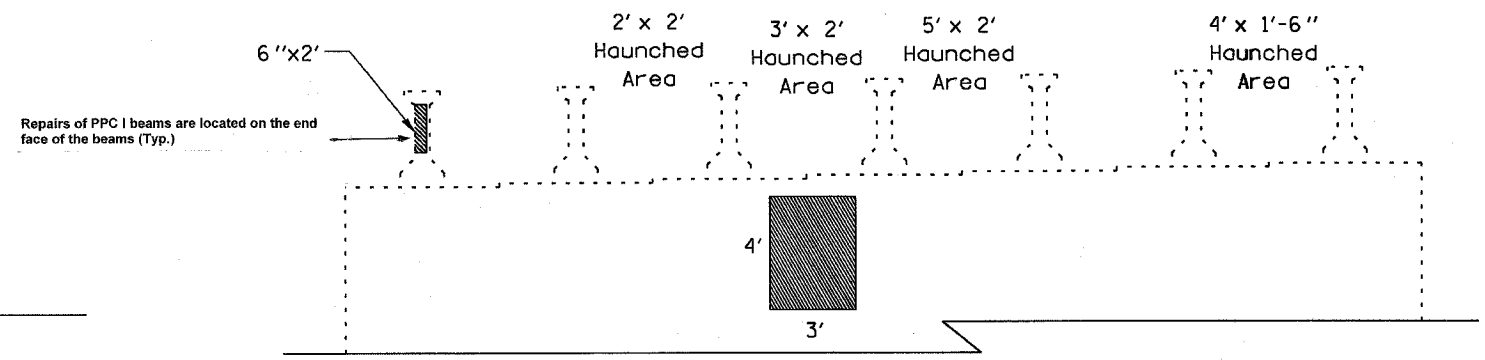
SOUTH ABUT. STRUCTURE 044-0046 (LOOKING SOUTH)



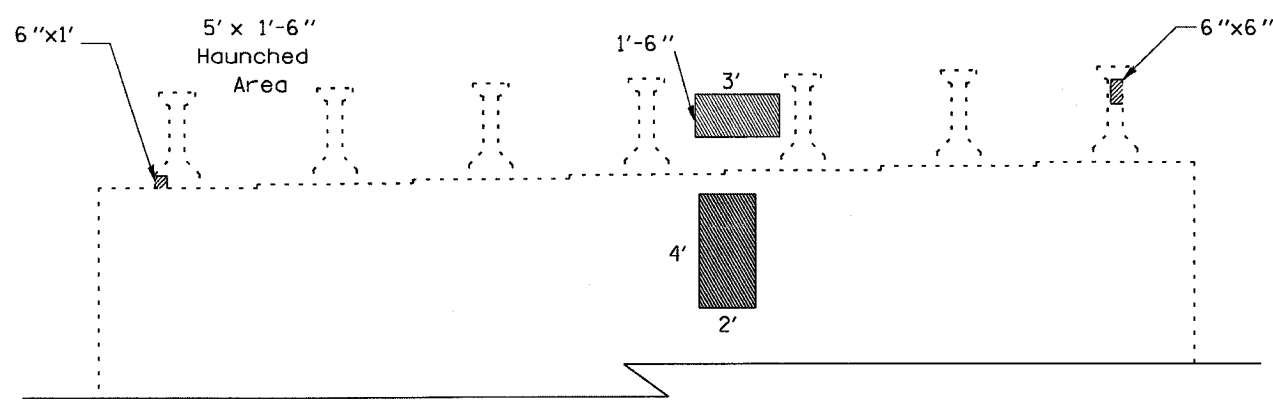
NORTH ABUT. STRUCTURE 044-0047 (LOOKING NORTH)



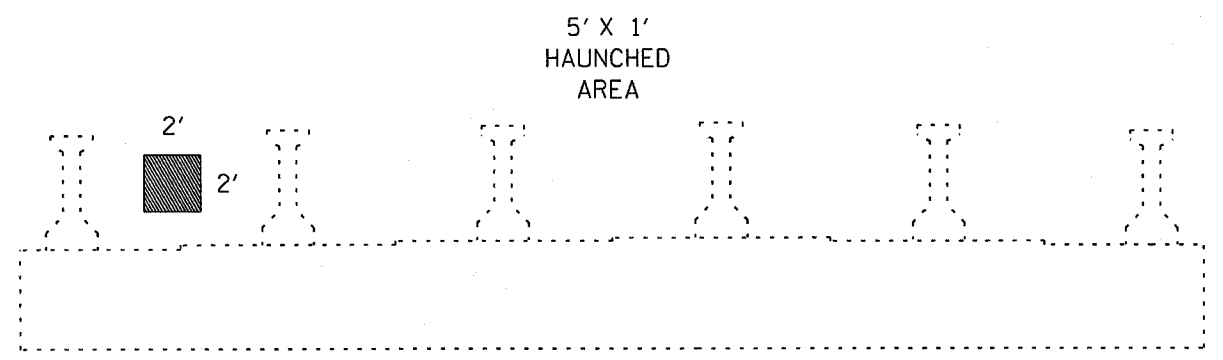
SOUTH ABUT. STRUCTURE 044-0047 (LOOKING SOUTH)



NORTH ABUT. STRUCTURE 044-0048 (LOOKING NORTH)




SOUTH ABUT. STRUCTURE 044-0048 (LOOKING SOUTH)



WEST ABUT. STRUCTURE 044-0050 (LOOKING WEST)

DESIGNED	MAS
CHECKED	MAS
DRAWN	TEB
CHECKED	MAS

 Polymer Modified Portland Cement Mortar

CONCRETE REPAIR
JOHNSON COUNTY
SN 044-0046
SN 044-0047
SN 044-0048
SN 044-0050