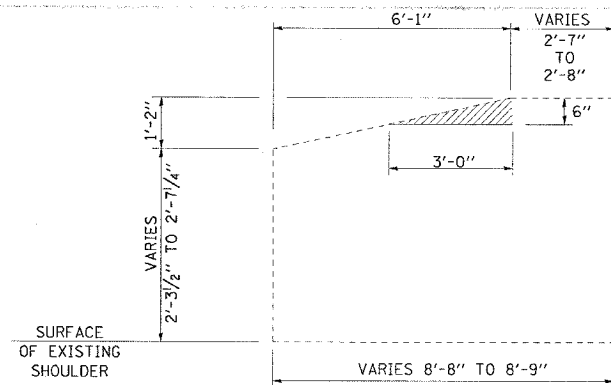
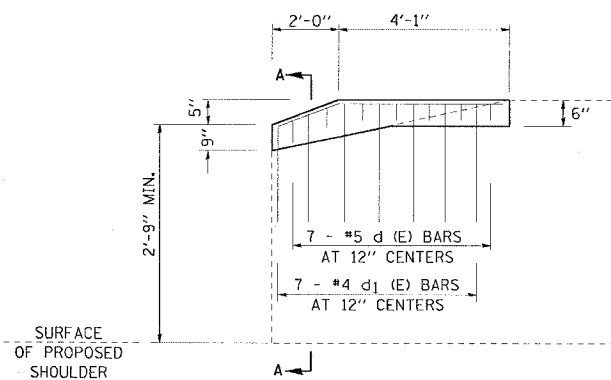


**WINGWALL MODIFICATION FOR TYPE 6 TERMINAL**



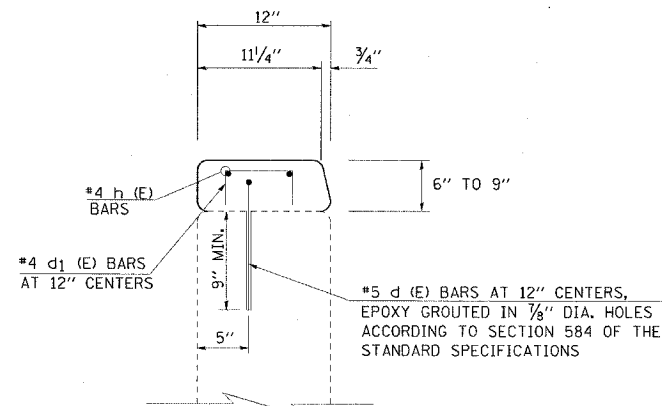
INSIDE ELEVATION (EXISTING)



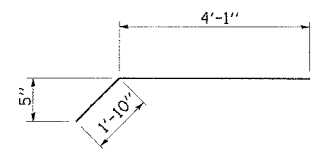
INSIDE ELEVATION (PROPOSED)

**TO BE USED:**

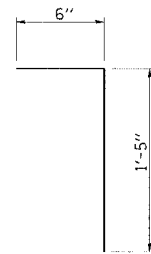
- SN 044-0039
- SN 044-0040
- SN 044-0047
- SN 044-0048



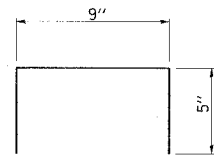
SECTION A-A



BAR h (E)



BAR d (E)



BAR d1 (E)

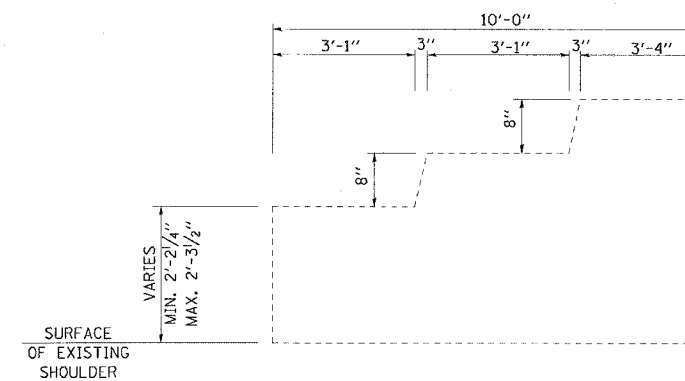
**BILL OF MATERIAL**

BAR	SIZE	NO.	LENGTH
d (E)	#5	7	1'-11"
d1 (E)	#4	7	1'-7"
h (E)	#4	2	5'-11"
CONCRETE REMOVAL			CU YDS 0.1
CONCRETE SUPERSTRUCTURE			CU YDS 0.2
REINFORCEMENT BARS EPOXY COATED			LBS 29

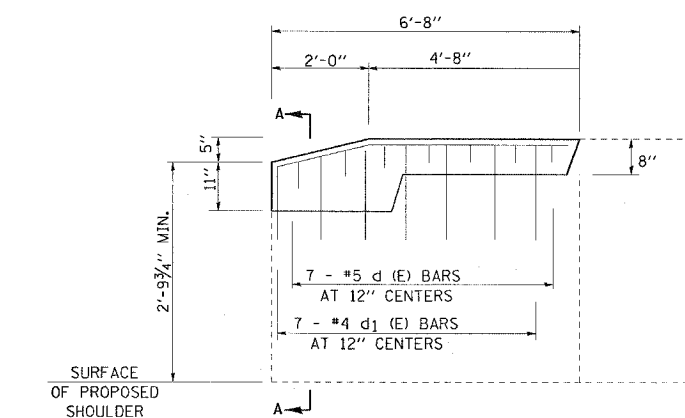
**NOTES:**

QUANTITIES ARE PER WING WALL.  
BARS DESIGNATED (E) SHALL BE EPOXY COATED.  
HATCHED AREA INDICATES CONCRETE REMOVAL.

**WINGWALL MODIFICATION FOR TYPE 6 TERMINAL**



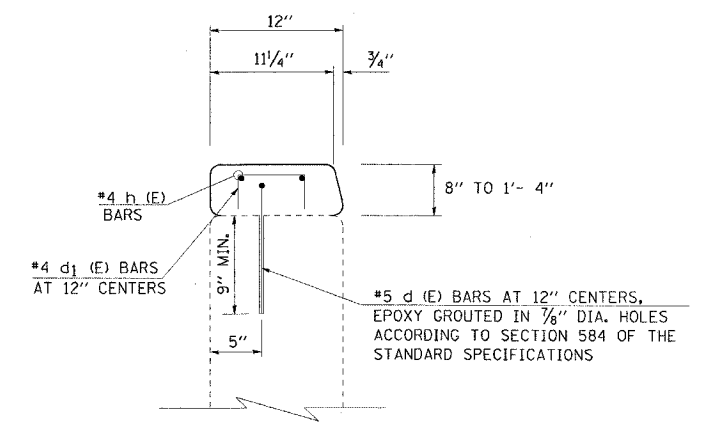
INSIDE ELEVATION (EXISTING)



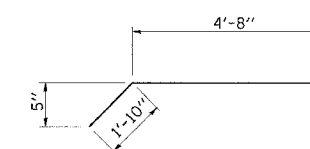
INSIDE ELEVATION (PROPOSED)

**TO BE USED:**

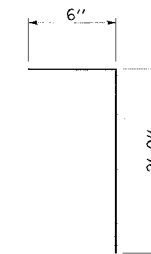
- SN 044-0041
- SN 044-0042
- SN 044-0049
- SN 044-0050



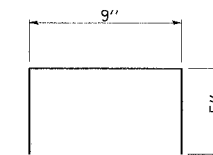
SECTION A-A



BAR h (E)



BAR d (E)



BAR d1 (E)

**BILL OF MATERIAL**

BAR	SIZE	NO.	LENGTH
d (E)	#5	7	2'-6"
d1 (E)	#4	7	1'-7"
h (E)	#4	2	6'-6"
CONCRETE SUPERSTRUCTURE			CU YDS 0.3
REINFORCEMENT BARS EPOXY COATED			LBS 35

**NOTES:**

QUANTITIES ARE PER WING WALL.  
BARS DESIGNATED (E) SHALL BE EPOXY COATED.

F. A. L. FILE	SECTION	COUNTY	TOTAL SHEETS	SHEET NO.
24	*	JOHNSON	150	117
STA.		TO STA.		
FED. ROAD DIST. NO.		BILLINGS	FED. AID PROJECT	
* (44-5,6)RS, BSMART FY04-3				
98836				