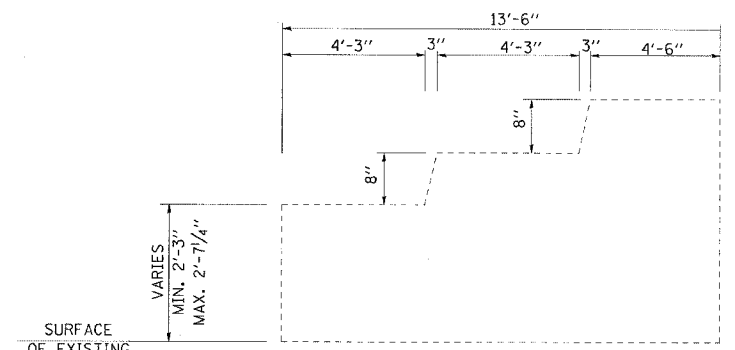


# pg 115 omitted

F.A.L. FILE NO.	SECTION	COUNTY	TOTAL SHEETS	SHEET NO.
24	*	JOHNSON	150	116
STA.		TO STA.		
FED. ROAD DIST. NO.		BILLING		FED. AID PROJECT

\*(44-5,6)RS, BSMART FY04-3  
98836

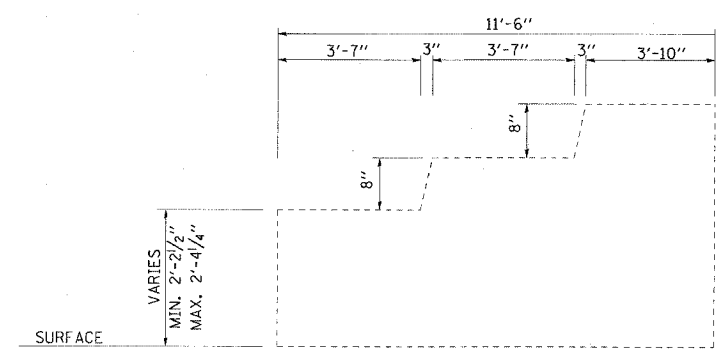
**WINGWALL MODIFICATION FOR TYPE 6 TERMINAL**



INSIDE ELEVATION (EXISTING)

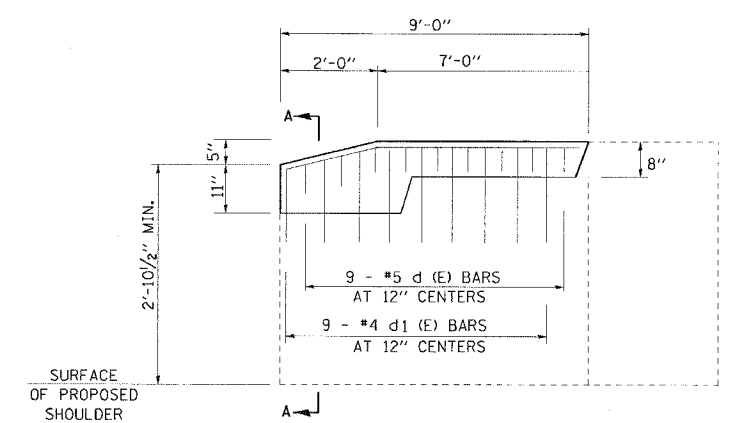
TO BE USED:  
SN 044-0043  
SN 044-0044

**WINGWALL MODIFICATION FOR TYPE 6 TERMINAL**

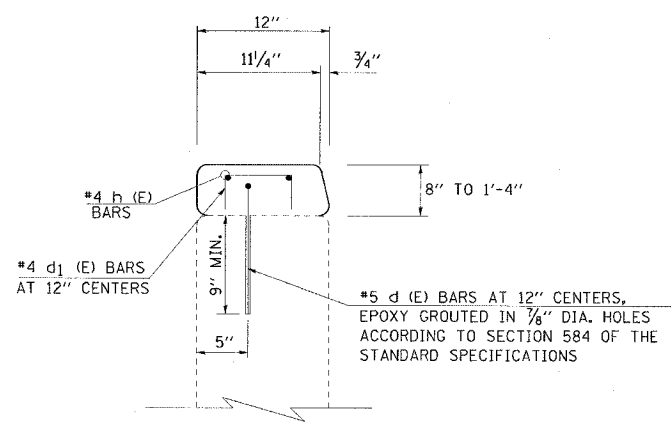


INSIDE ELEVATION (EXISTING)

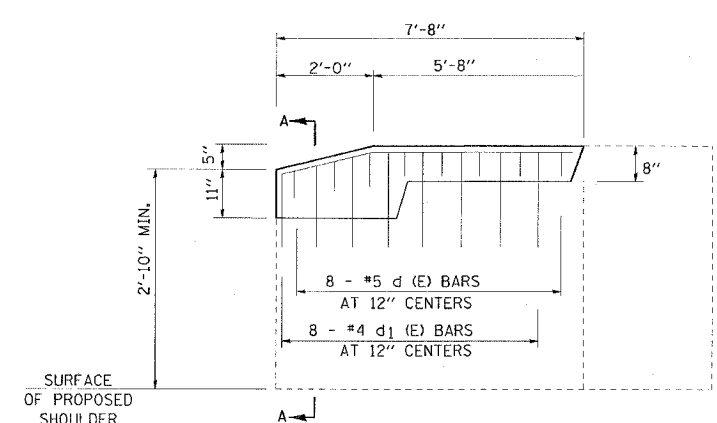
TO BE USED:  
SN 044-0045  
SN 044-0046



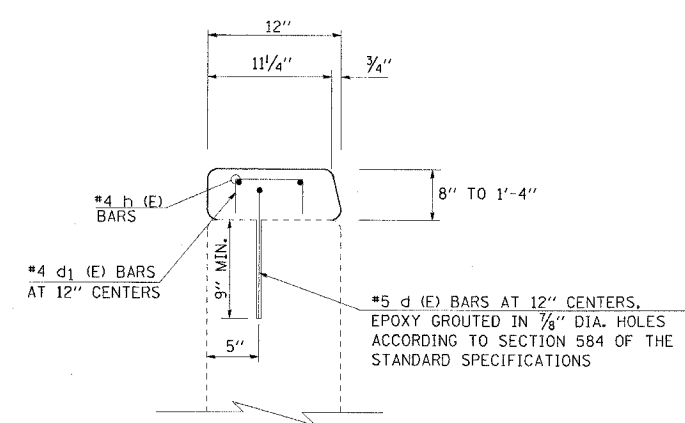
INSIDE ELEVATION (PROPOSED)



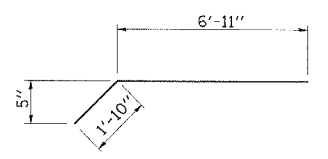
SECTION A-A



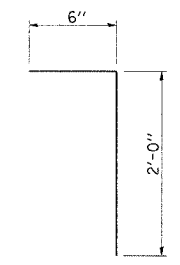
INSIDE ELEVATION (PROPOSED)



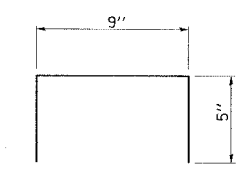
SECTION A-A



BAR h (E)



BAR d (E)

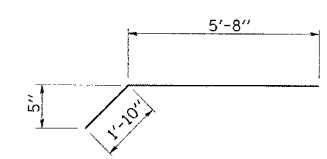


BAR d1 (E)

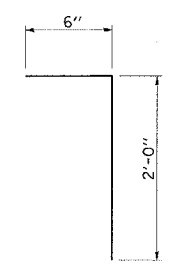
**BILL OF MATERIAL**

BAR	SIZE	NO.	LENGTH
d (E)	#5	9	2'-6"
d1 (E)	#4	9	1'-7"
h (E)	#4	2	8'-9"
CONCRETE SUPERSTRUCTURE			CU YDS 0.3
REINFORCEMENT BARS EPOXY COATED			LBS 45

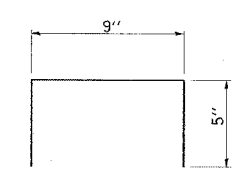
NOTES:  
QUANTITIES ARE PER WING WALL  
BARS DESIGNATED (E) SHALL BE EPOXY COATED.



BAR h (E)



BAR d (E)



BAR d1 (E)

**BILL OF MATERIAL**

BAR	SIZE	NO.	LENGTH
d (E)	#5	8	2'-6"
d1 (E)	#4	8	1'-7"
h (E)	#4	2	7'-6"
CONCRETE SUPERSTRUCTURE			CU YDS 0.3
REINFORCEMENT BARS EPOXY COATED			LBS 40

NOTES:  
QUANTITIES ARE PER WING WALL  
BARS DESIGNATED (E) SHALL BE EPOXY COATED.

Thu Jan 29 10:04:2004  
c:\projects\18090202\wss124-2.dgn L:\v162