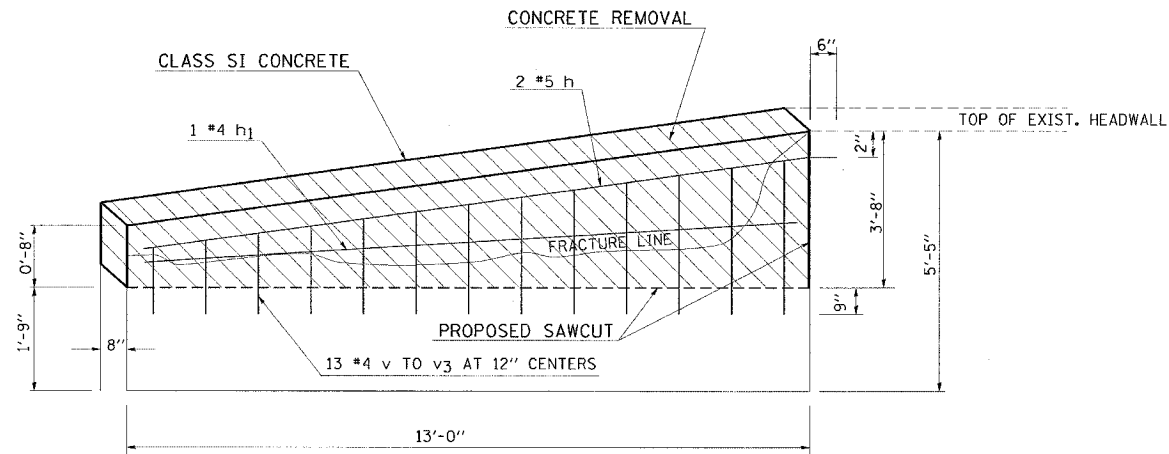


P. L. L. ETC.	SECTION	COUNTY	TOTAL SHEETS	SHEET NO.
24	*	JOHNSON	150	108
STA.	TO STA.			
FED. ROAD DIST. NO.	ILLINOIS	FED. AID PROJECT		

* (44-5,6)RS, BSMART FY04-3
98836

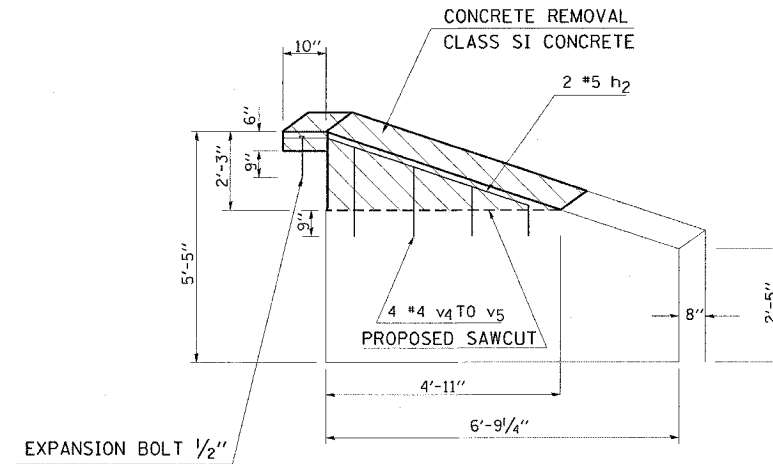
WINGWALL REPAIR COMPLETE
LT. STA. 334+20 (C EBL) MP 21.6 SOUTH WINGWALL



BILL OF MATERIAL

BAR	SIZE	NO.	LENGTH
h	#5	2	13'-6"
h1	#4	1	12'-9"
v	#5	3	3'-9"
v1	#5	3	4'-9"
v2	#5	3	5'-6"
v3	#5	4	6'-3"
CLASS SI CONCRETE		CU YDS	0.8
REINFORCEMENT BARS		LBS	107

WINGWALL REPAIR COMPLETE
LT. STA. 334+20 (C EBL) MP 21.6 NORTH WINGWALL



BILL OF MATERIAL

BAR	SIZE	NO.	LENGTH
h2	#5	2	5'-0"
v4	#5	2	3'-10"
v5	#5	2	4'-10"
CLASS SI CONCRETE		CU YDS	0.2
REINFORCEMENT BARS		LBS	29
EXPANSION BOLT 1/2"		EACH	1

NOTES:

THIS WORK CONSIST OF THE REPAIR OF DAMAGED REINFORCED CONCRETE.
DAMAGED REINFORCED CONCRETE SHALL BE REMOVED DOWN TO SOUND CONCRETE IN ACCORDANCE WITH ARTICLE 501.03 OF THE STANDARD SPECIFICATIONS FOR ROAD AND BRIDGE CONSTRUCTION.
ALL REMOVED CONCRETE SHALL BE DISPOSED OF IN ACCORDANCE WITH ARTICLE 202.03 OF THE STANDARD SPECIFICATIONS. REBAR AND/OR EXPANSION BOLTS SHALL BE PLACED IN ACCORDANCE WITH ARTICLE 584 OF THE STANDARD SPECIFICATIONS.
THE CONTRACTOR SHALL PLACE ANY NECESSARY REBAR, EXPANSION BOLTS AND CONCRETE TO THE DIMENSION SHOWN IN THIS DETAIL.
CONCRETE PLACEMENT SHALL BE IN ACCORDANCE WITH THE APPLICABLE PORTIONS OF SECTION 503 OF THE STANDARD SPECIFICATIONS.
CLASS SI CONCRETE SHALL BE USED THROUGHOUT.
EXPOSED EDGES SHALL BE BEVELED 3/4".
SEE THE CULVERT REPAIR SCHEDULE SHEET 14 FOR THE INFORMATIONAL QUANTITIES OF CONCRETE REMOVAL, SAW CUTS, EXPANSION BOLTS 1/2" AND CLASS SI CONCRETE ITEMS.
THIS WORK SHALL BE PAID FOR AS EACH FOR WINGWALL REPAIR COMPLETE WHICH PRICE SHALL INCLUDE ALL LABOR AND MATERIALS REQUIRED TO REPAIR THE EXISTING WINGWALLS.

