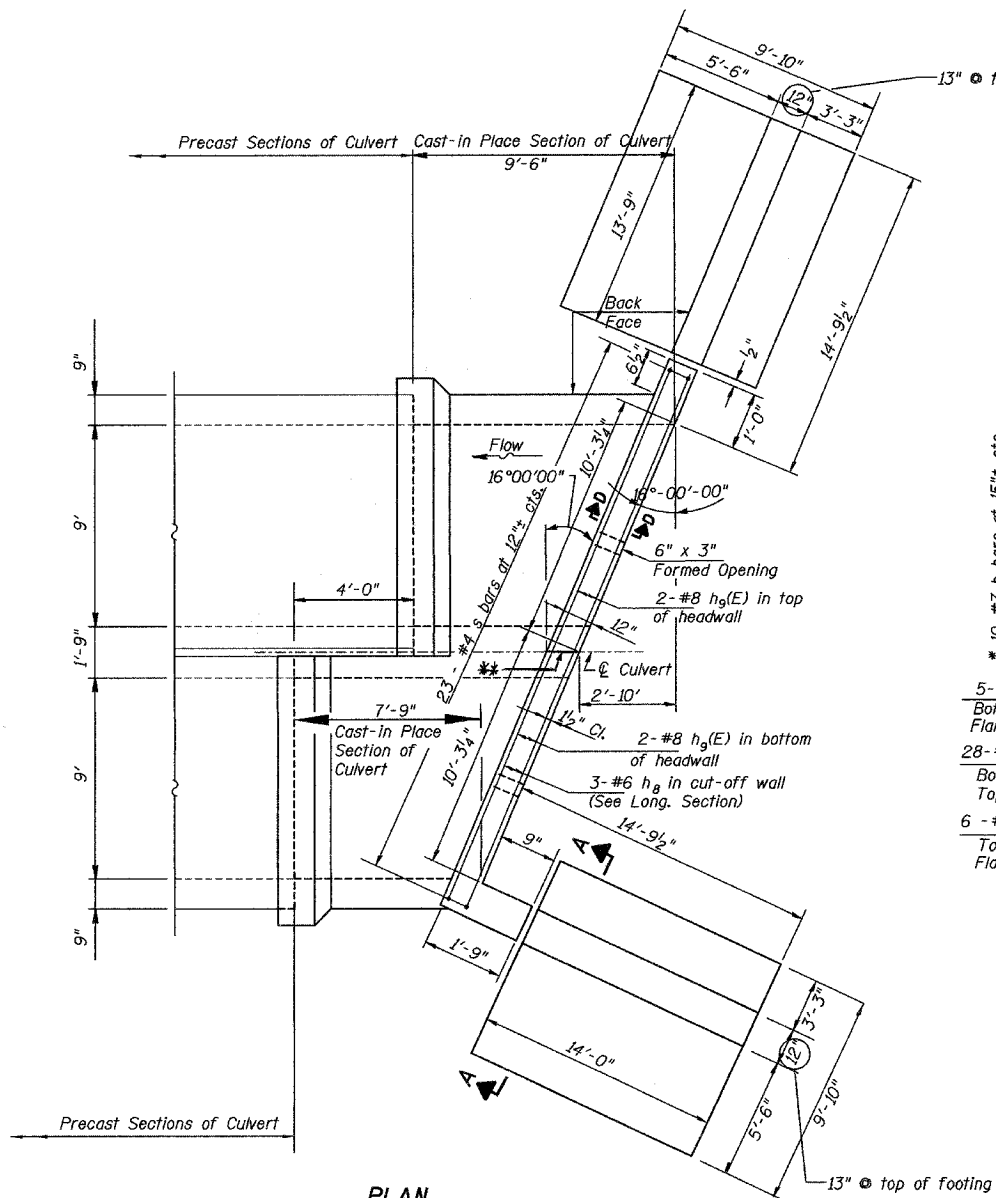
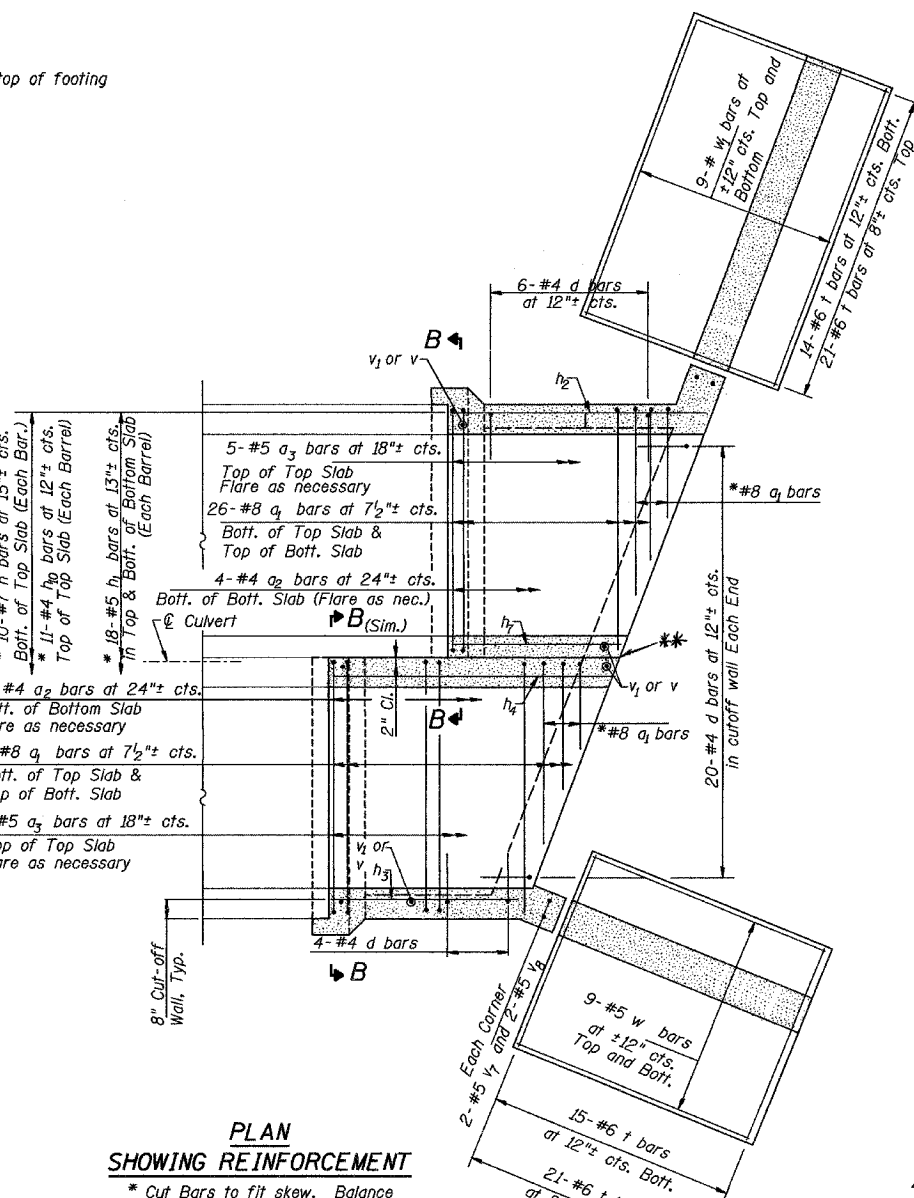


F.A.P. RTE.	SECTION	COUNTY	TOTAL SHEETS	SHEET NO.
840	(139Z-1)	KANKAKEE	24	14
STA.	TO STA.			
FED. ROAD DIST. NO.	ILLINOIS	FED. AID PROJECT		

CONTRACT# 66131

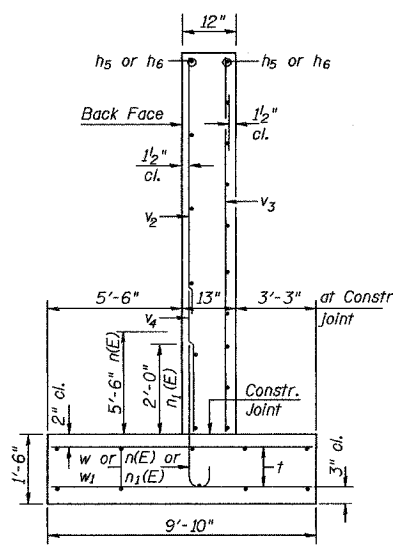


PLAN SHOWING OUTLINES

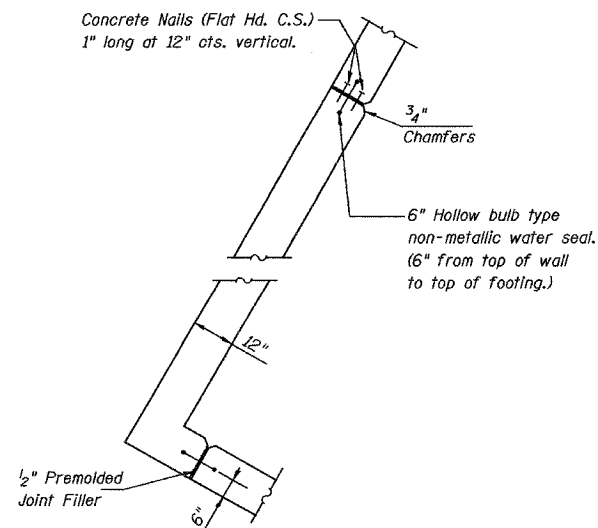


PLAN SHOWING REINFORCEMENT

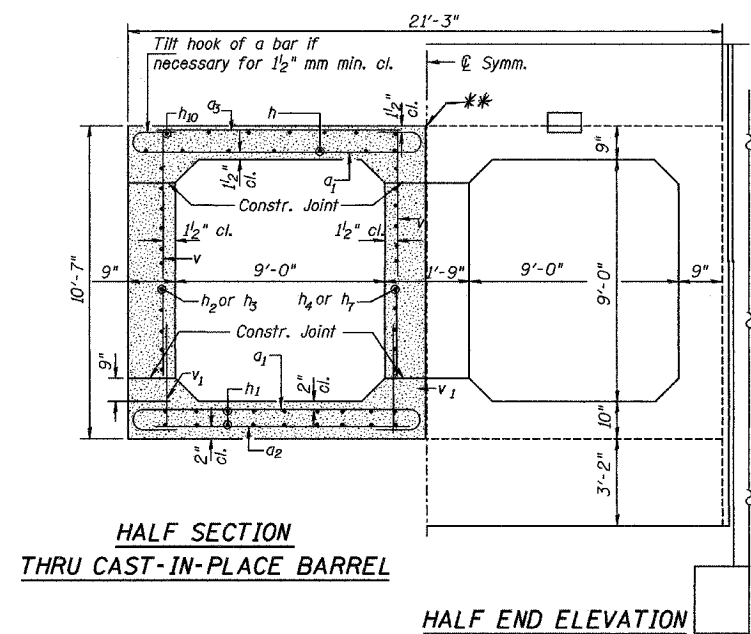
* Cut Bars to fit skew. Balance of bars may be used in other end section as directed by the Engineer.



SECTION A-A



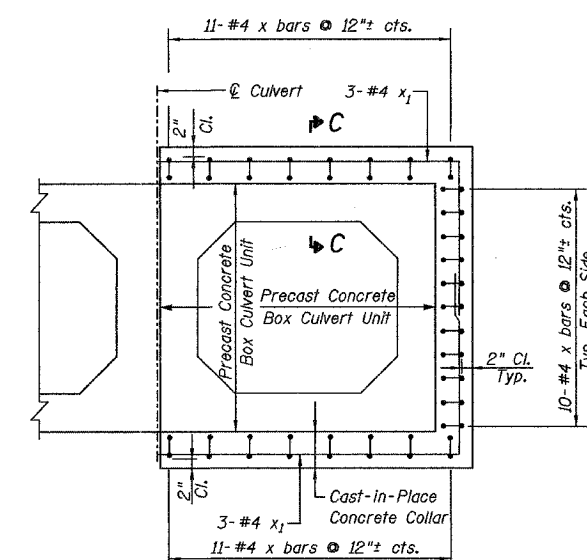
CORNER DETAIL



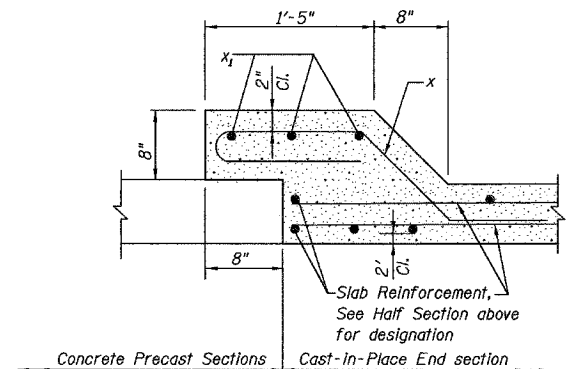
HALF SECTION THRU CAST-IN-PLACE BARREL

HALF END ELEVATION

** A 1/2" wide by 1" deep saw cut shall be made over the center of the interior wall the full length of the cast-in-place portion. One-half inch PJF shall also be placed in the headwalls at these locations.



SECTION B-B



SECTION C-C

Top Slab shown, mirror horizontally for Bottom Slab Side Slab sim.

REVISIONS		
NAME	DATE	
BDD	9/20/04	
BDD	1/31/05	

ILLINOIS DEPARTMENT OF TRANSPORTATION
BOX CULVERT END SECTION, SPECIAL, CULVERT NO. 1

SCALE: VERT. HORIZ.
DATE DRAWN BY CHECKED BY

January 31, 2005
ep05899/sheets.dgn