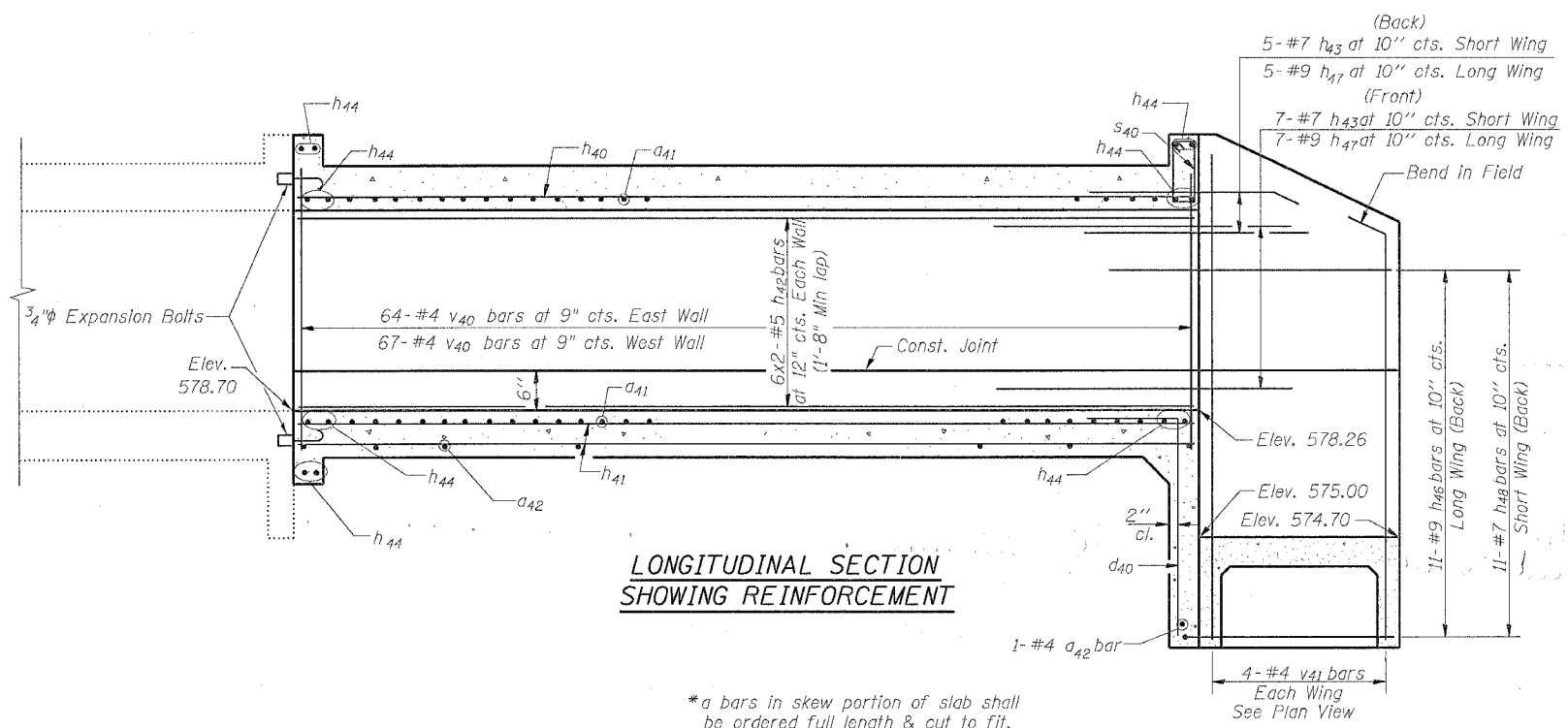


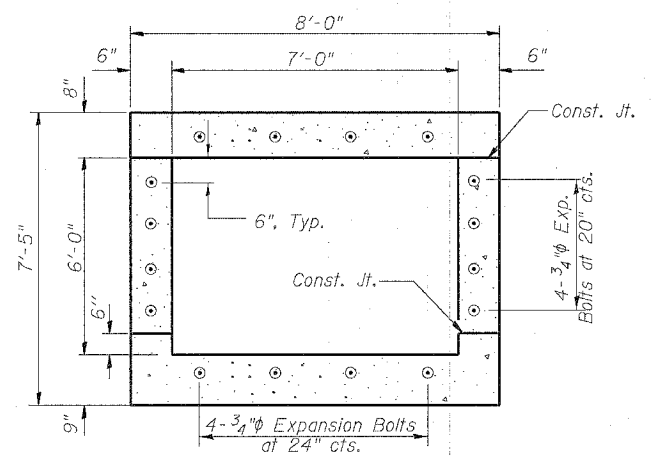
STATE OF ILLINOIS  
DEPARTMENT OF TRANSPORTATION

ROUTE NO. F.A.P. 595	SECTION 1-3-K	COUNTY Rock Island	STATION 476	SHEET 285	SHEET NO. 5 5 SHEETS
FED. ROAD DIST. NO. 7		ILLINOIS		FED. AID PROJECT	

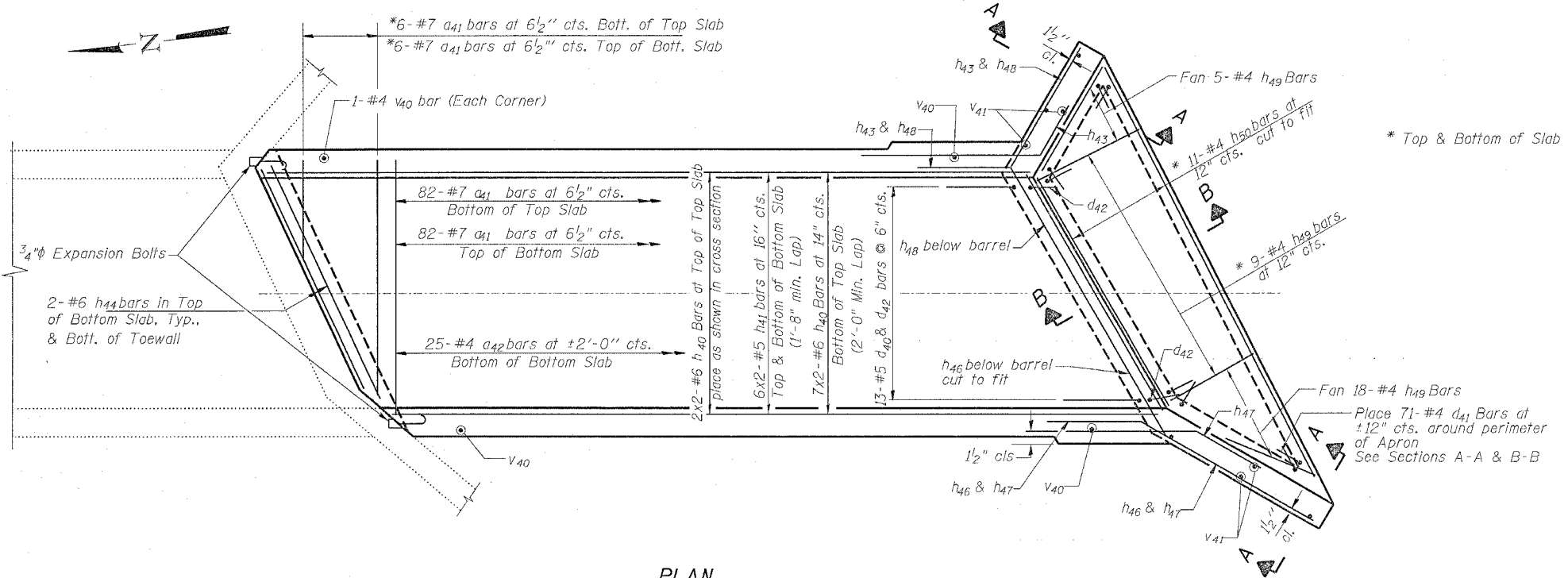


**LONGITUDINAL SECTION  
SHOWING REINFORCEMENT**

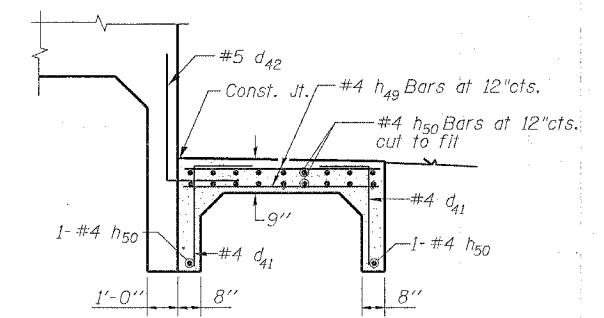
\*a bars in skew portion of slab shall be ordered full length & cut to fit. Balance of bar to be used in opposite end of culvert.



**SECTION THRU BARREL  
Showing 3/4" Expansion Bolts**



**PLAN  
SHOWING REINFORCEMENT**



**SECTION B-B  
SHOWING REINFORCEMENT**

DESIGNED	JDC
CHECKED	BDF
DRAWN	RAP
CHECKED	BDF

DOWNSTREAM EXTENSION DETAILS  
FA ROUTE 595 SECTION 1-3-K  
ROCK ISLAND COUNTY  
STATION 410+21.25 (JOHN DEERE ROAD)  
STATION 167+88.19 (VALLEY VIEW DRIVE)