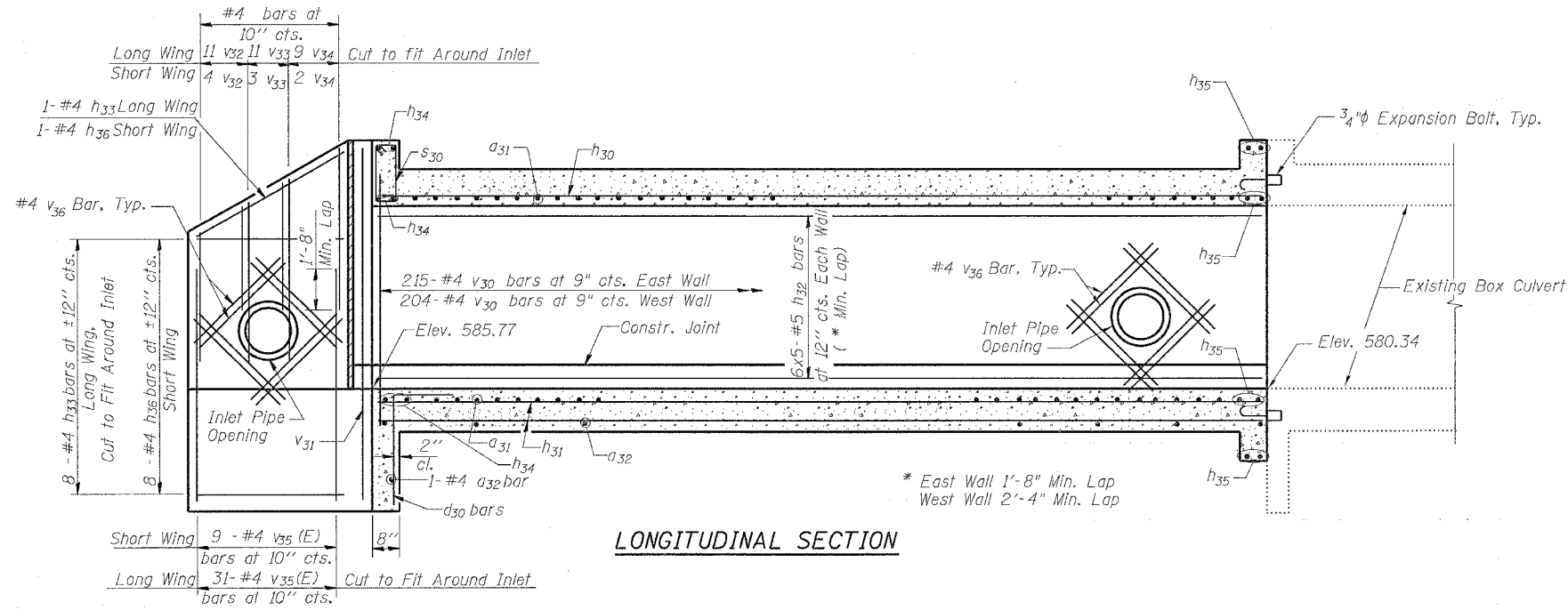
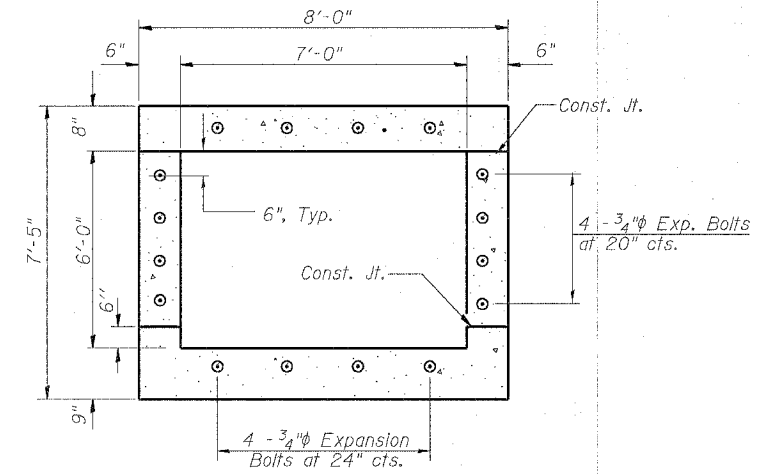


STATE OF ILLINOIS
DEPARTMENT OF TRANSPORTATION

ROUTE NO.	SECTION	COUNTY	REV.	SHEET NO.	SHEET NO.
F.A.P. 595	1-3-K	Rock Island	476	283	5 SHEETS
FED. ROAD DIST. NO. 7	ILLINOIS	FED. AID PROJECT			

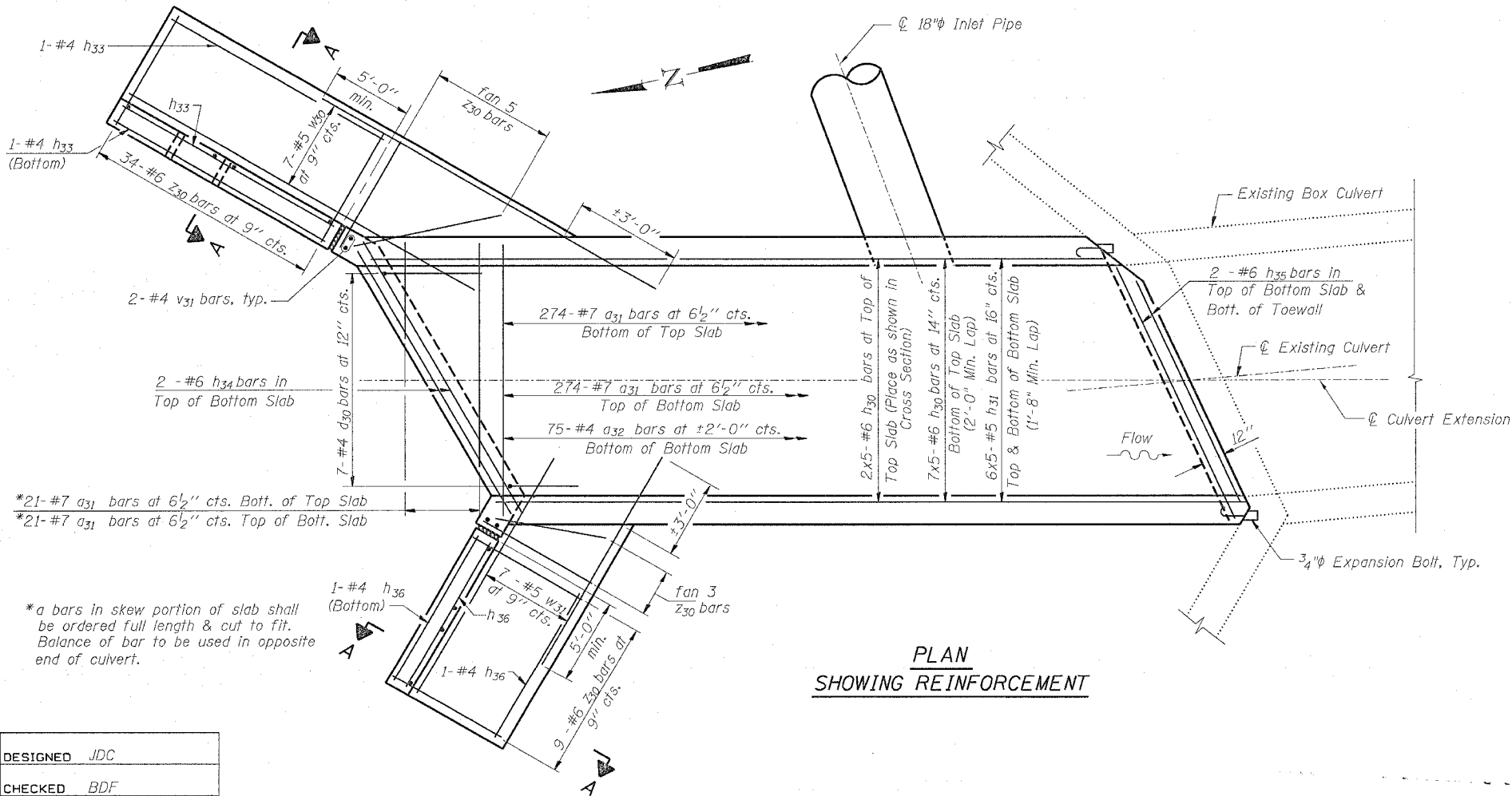


LONGITUDINAL SECTION



SECTION THRU BARREL

Showing 3/4" Expansion Bolts



**PLAN
SHOWING REINFORCEMENT**

DESIGNED	JDC
CHECKED	BDF
DRAWN	RAP
CHECKED	BDF

SSB-L-L 6-1-2000

UPSTREAM EXTENSION DETAILS
FA ROUTE 595 SECTION 1-3-K
ROCK ISLAND COUNTY
STATION 410+21.25 (JOHN DEERE ROAD)
STATION 167+88.19 (VALLEY VIEW DRIVE)