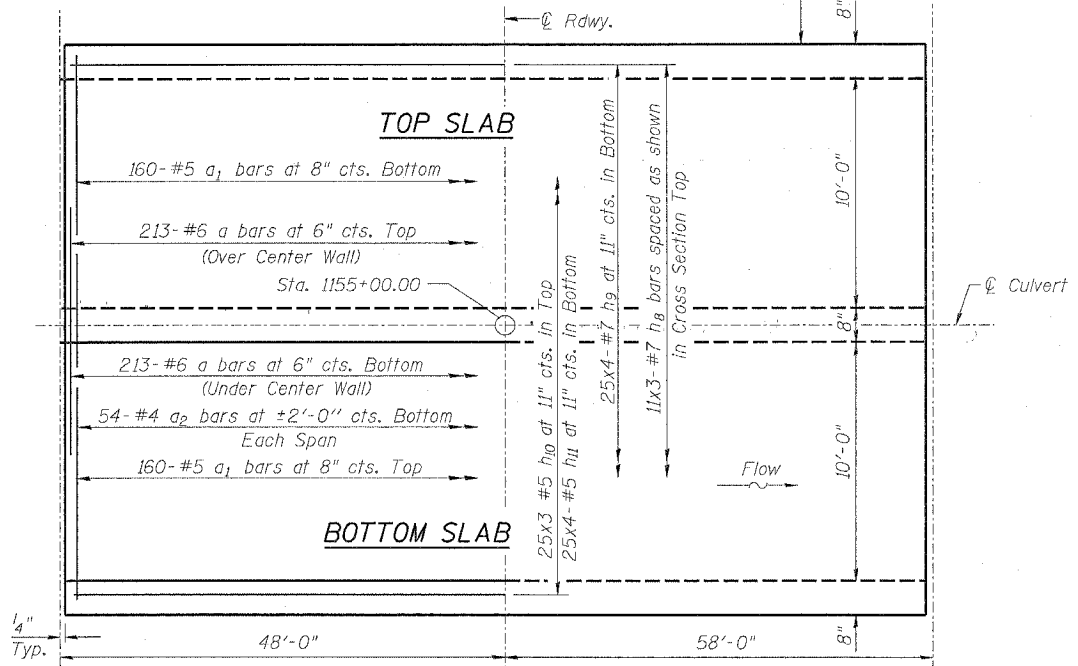
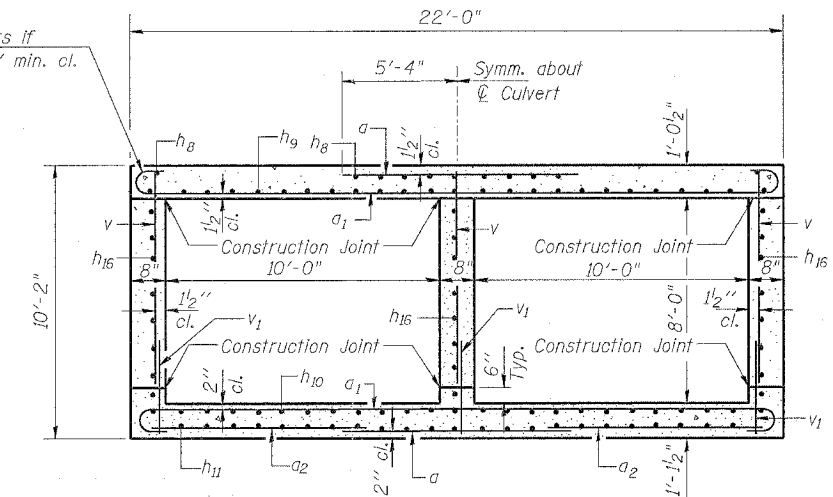
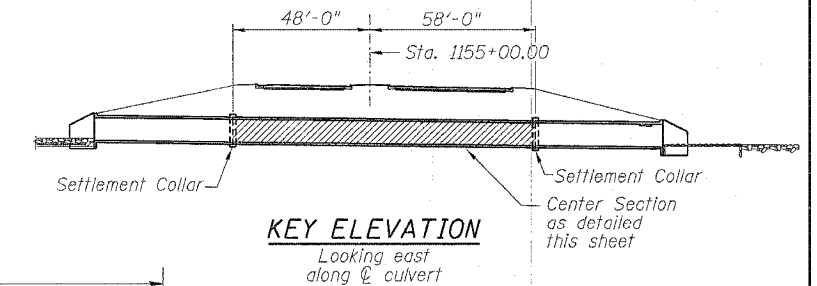
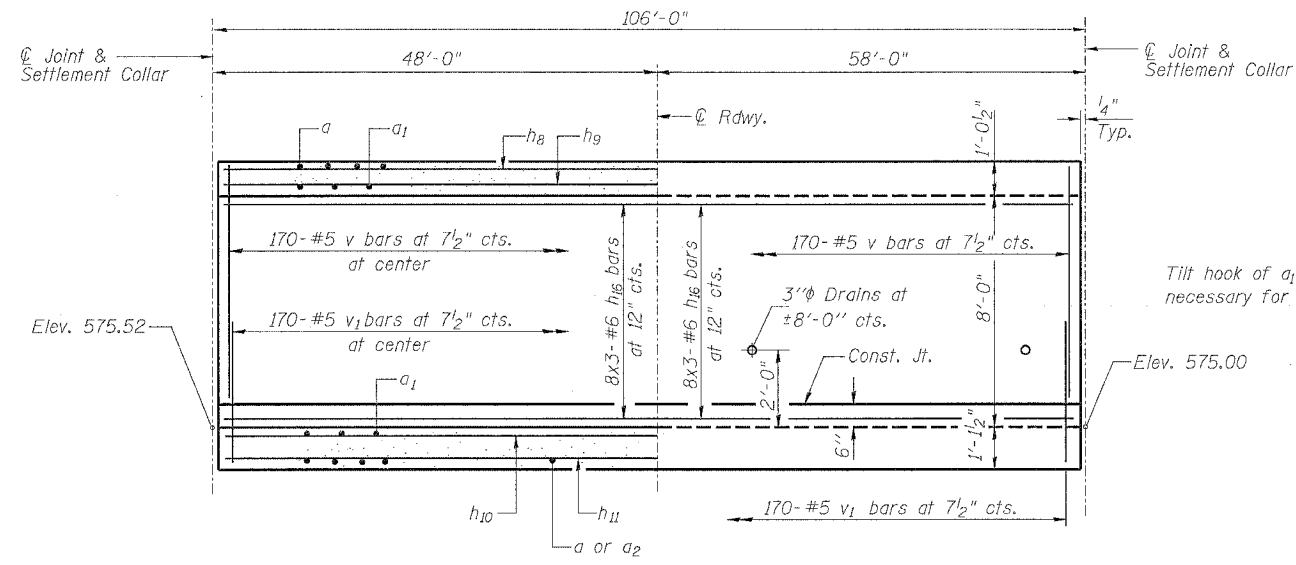


STATE OF ILLINOIS  
DEPARTMENT OF TRANSPORTATION

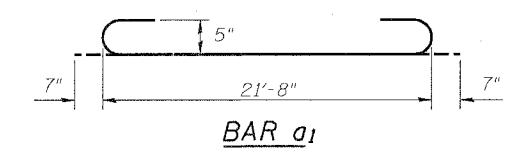
ROUTE NO. F.A.P. 595	SECTION I-3-K	COUNTY Rock Island	TOTAL SHEETS 476	SHEET NO. 276	SHEET NO. 3 7 SHEETS
FED. ROAD DIST. NO. 7		ILLINOIS FED. AID PROJECT			



**SHOWING REINFORCEMENT PLAN**

**SHOWING OUTLINES**

**Lap Length**  
#5 Bar 1'-8"  
#6 Bar 2'-0"  
#7 Bar 2'-9"



**BILL OF MATERIAL CENTER SECTION**

Bar	No.	Size	Length	Shape
a	426	#6	10'-8"	—
a1	320	#5	22'-10"	⌋
a2	108	#4	6'-10"	—
h8	33	#7	37'-0"	—
h9	100	#7	28'-6"	—
h10	75	#5	36'-4"	—
h11	100	#5	27'-8"	—
h16	72	#6	36'-6"	—
v	510	#5	8'-2"	—
v1	510	#5	3'-4"	—
Concrete Box Culverts			Cu. Yd.	250.2
Reinforcement Bars			Pound	39,060

**CULVERT DETAILS AND SECTION**

52ND AVENUE EXTENSION  
OVER AN UNNAMED STREAM  
FAU ROUTE 5822 SECTION I-3  
ROCK ISLAND COUNTY  
STATION 1155+00  
STRUCTURE NO. 081-2035

DESIGNED	JDC
CHECKED	BDF
DRAWN	RAP
CHECKED	BDF

DB-H-0 10-31-02