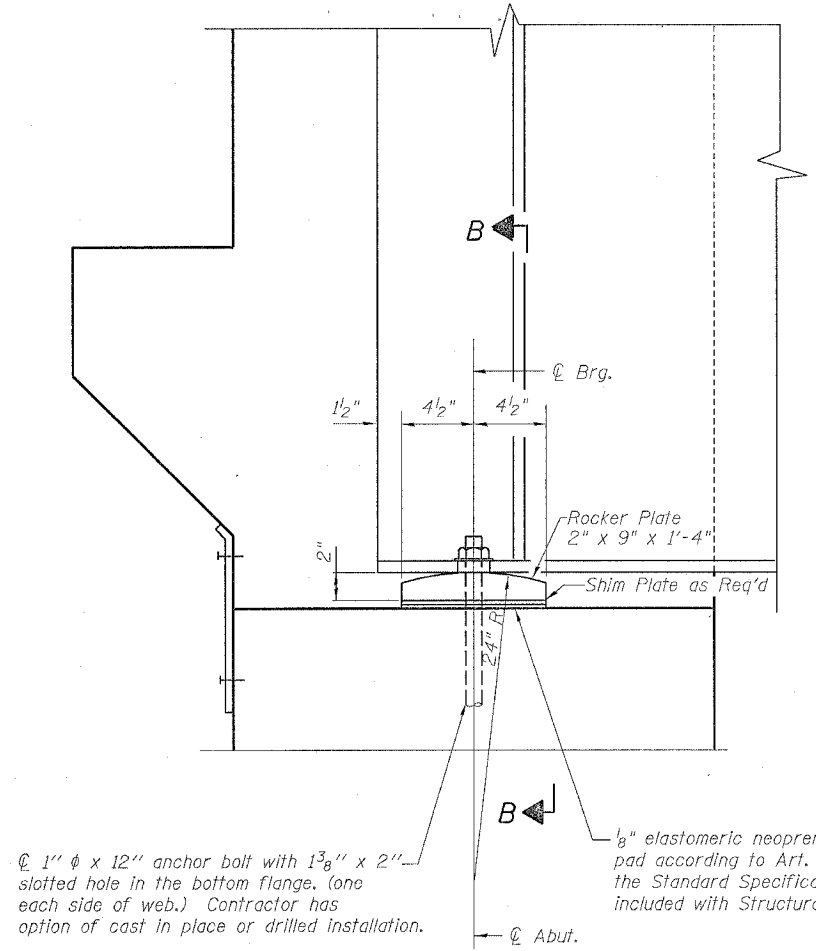


STATE OF ILLINOIS  
DEPARTMENT OF TRANSPORTATION

ROUTE NO.	SECTION	COUNTY	SHEETS	SHEET	SHEET NO. 13
F.A.P. 595	1-3-K	Rock Island	476	264	22 SHEETS
FED. ROAD DIST. NO. 7	ILLINOIS	FED. AID PROJECT			

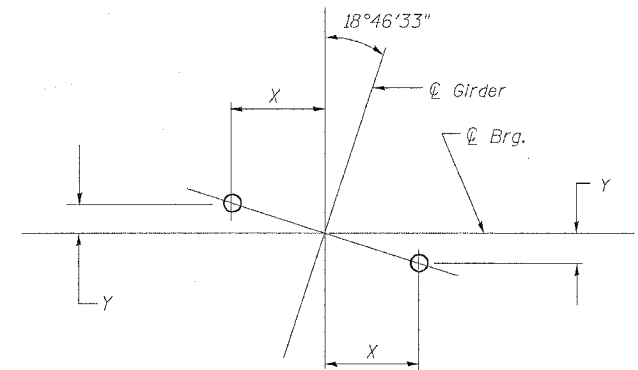


1/8" elastomeric neoprene leveling pad according to Art. 1052.02 of the Standard Specifications. Cost included with Structural Steel.

1"  $\phi$  x 12" anchor bolt with 1 3/8" x 2" slotted hole in the bottom flange. (one each side of web.) Contractor has option of cast in place or drilled installation.

ELEVATION AT ABUTMENT

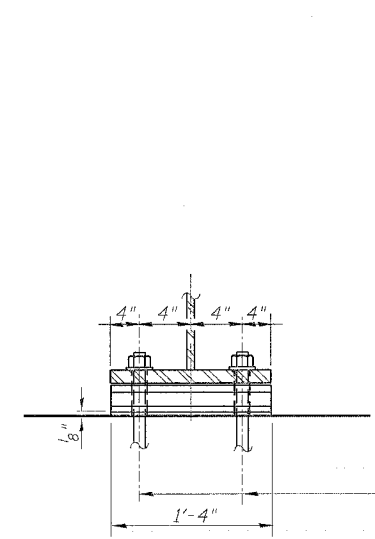
**FIXED BEARING**  
18 Required



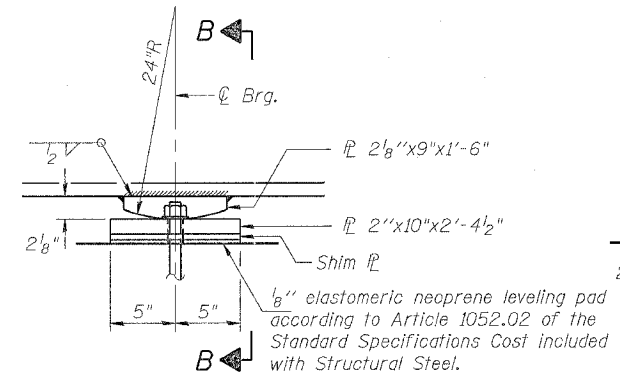
ANCHOR BOLT LOCATION DETAIL

	X	Y
Abutments	3 13/16"	1 5/16"
Pier	11 3/8"	3 7/8"

DESIGNED	JDC
CHECKED	JBF
DRAWN	RAP
CHECKED	JBF

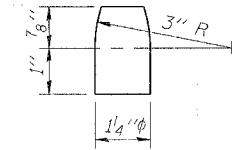


SECTION B-B

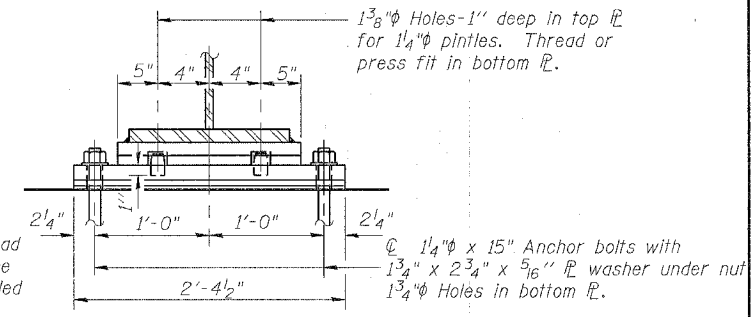


ELEVATION AT PIER

**FIXED BEARING**  
9 Required



PINTLE



SECTION B-B

Note:  
All bearing plates, shim plates and pintles shall be be AASHTO M270 Grade 50.  
Anchor Bolts at Fixed bearings may be built into the masonry.  
See Sheet 14 for Anchor Bolt Installation.

**BEARING DETAILS**

52nd AVE. OVER MILAN BELTWAY  
FAU ROUTE 5822 SECTION 1-3  
ROCK ISLAND COUNTY  
STATION 1159+12.92  
STRUCTURE NO. 081-0156