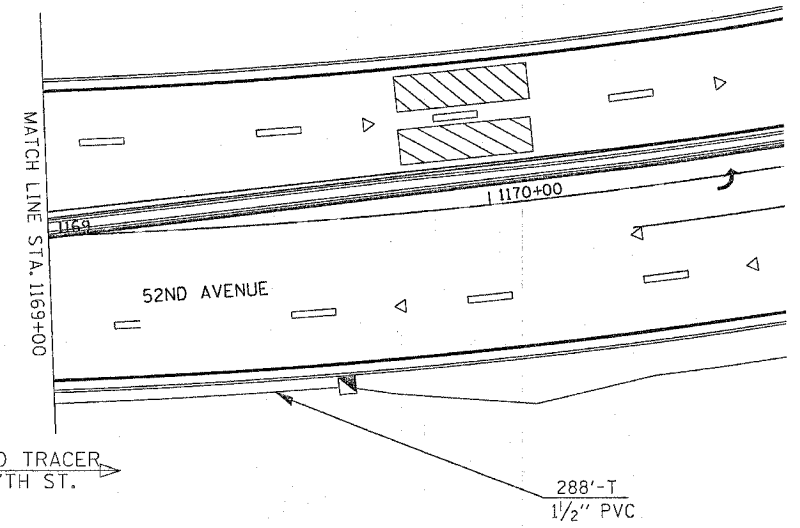
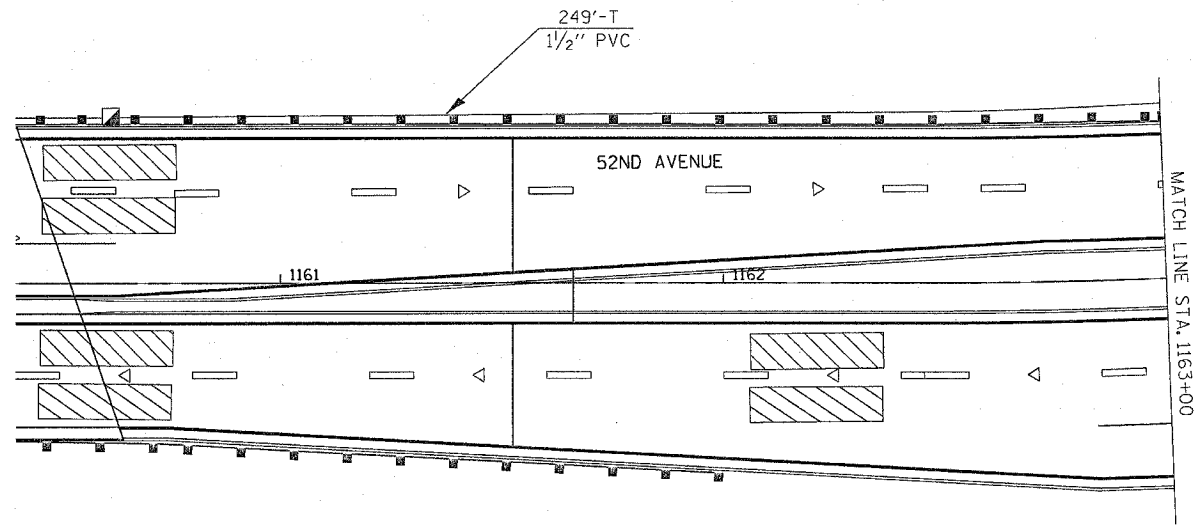
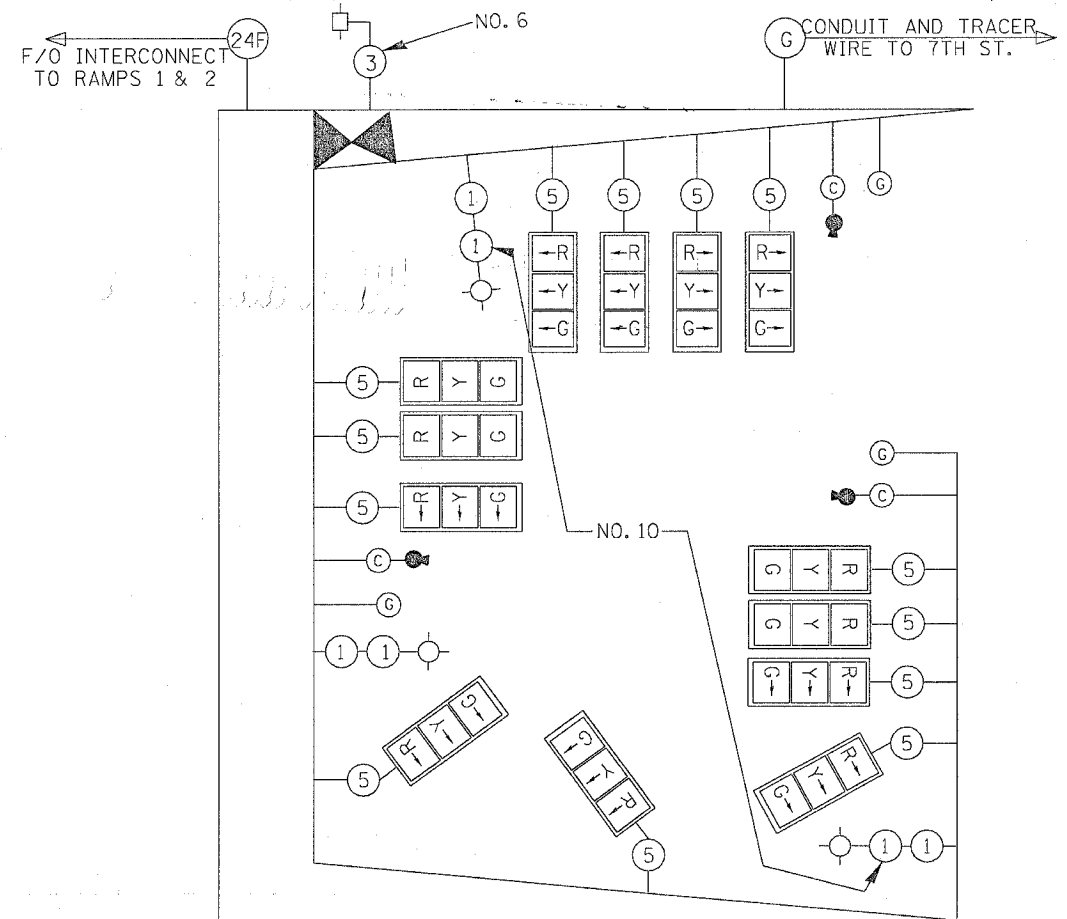


F.A.P. RTE.	SECTION	COUNTY	TOTAL SHEETS	SHEET NO.
595	1-3-K	ROCK ISLAND	476	249
STA.		TO STA.		
FED. ROAD DIST. NO.		ILLINOIS	FED. AID PROJECT	



WIRING DIAGRAM RAMPS 3 & 4



"C" DENOTES COAXIAL AND OTHER NECESSARY CABLES FOR VIDEO DETECTION
 "G" DENOTES 1C NO. 6 GROUNDING CABLE TO CONNECT ALL MAST ARMS AND THE CONTROLLER TO THE GROUNDING ROD IN THE DOUBLE HANDHOLE