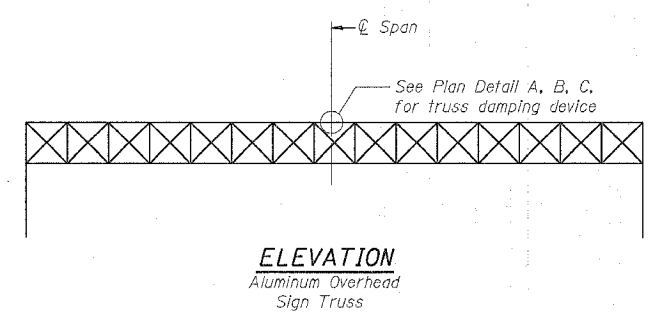
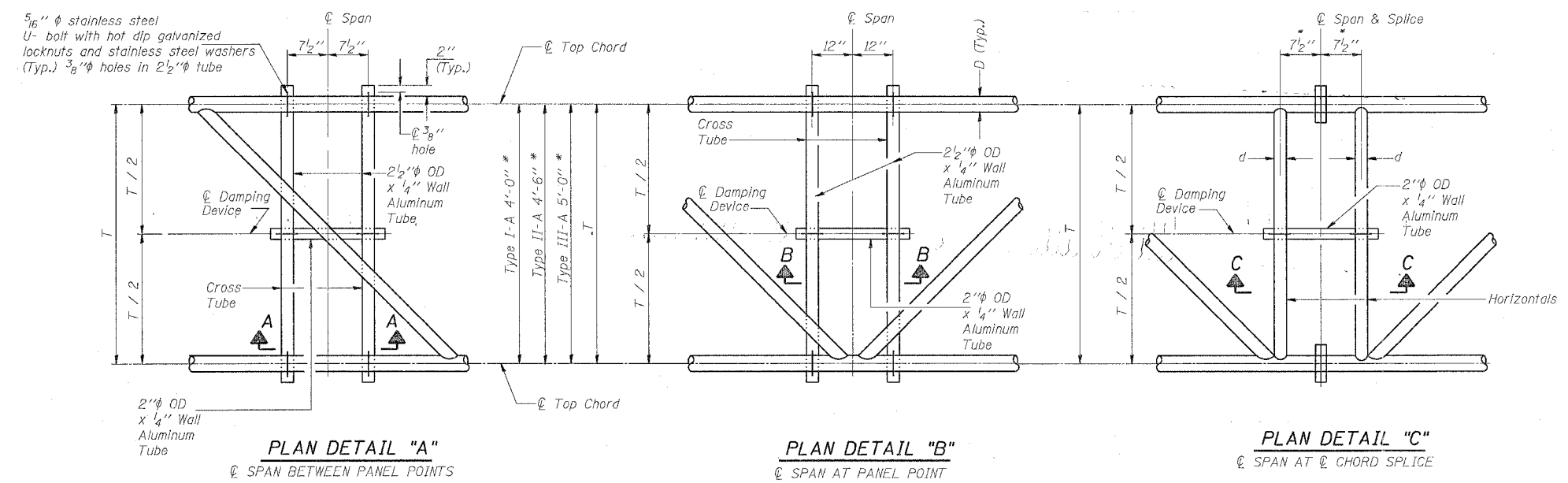


F.A.B. RTE.	SECTION	COUNTY	TOTAL SHEETS	SHEET NO.
-595	1:3-K	BOCKISLAND	476	239C
STA. _____		TO STA. _____		
FED. ROAD DIST. NO.	ILLINOIS	FED. AID PROJECT		

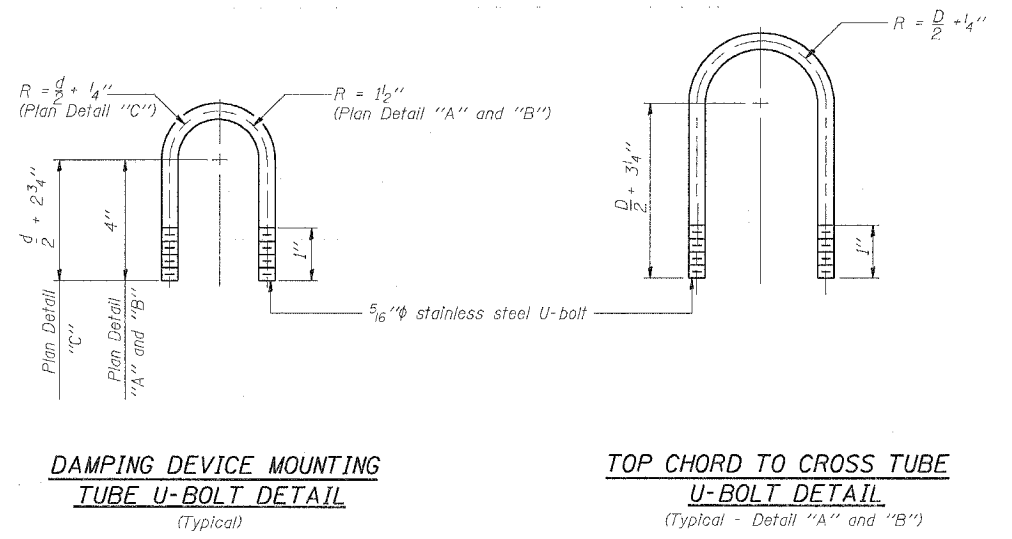
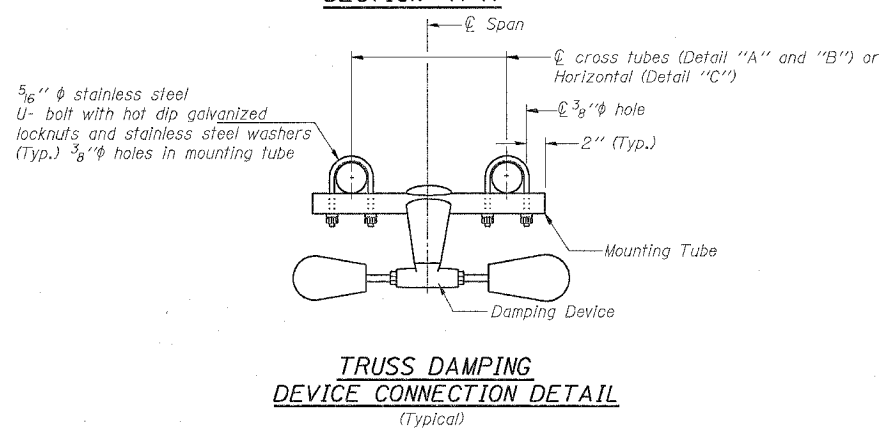
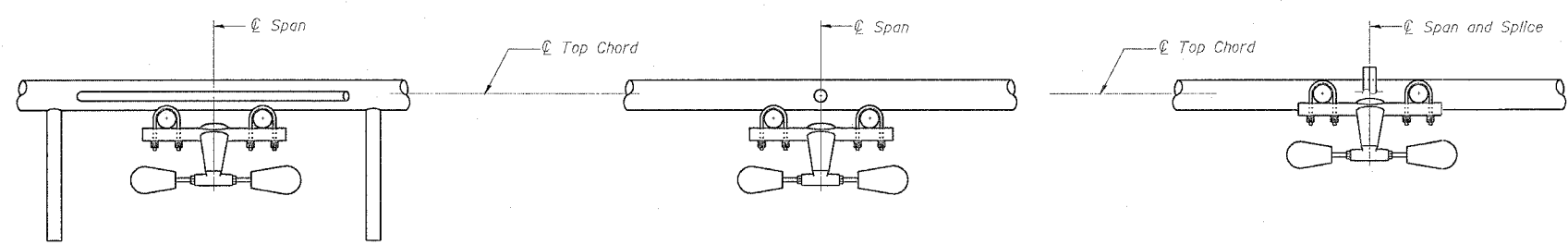
* Center of horizontal to center of splice dimension may vary. Verify before drilling holes in mounting tube.



NOTES

Damper: One damper per truss.
 (31 lbs. Stockbridge-Type Aluminum)
 Cost included in "Overhead Sign Structure..."

Materials: Aluminum tubes shall be ASTM B221 alloy 6061 temper T6. Cost included in "Overhead Sign Structure..."



REVISIONS		ILLINOIS DEPARTMENT OF TRANSPORTATION
NAME	DATE	
		SCALE: VERT. _____ HORIZ. _____
		DRAWN BY _____ CHECKED BY _____

PLOT DATE = Wed Dec 22 13:56:25 2004
 FILE NAME = C:\Documents and Settings\Monte...g\p\DeskTop\Sign\Sign sheets.dgn
 SCALE = 2820000 / IN.
 REFERENCE = SHEET