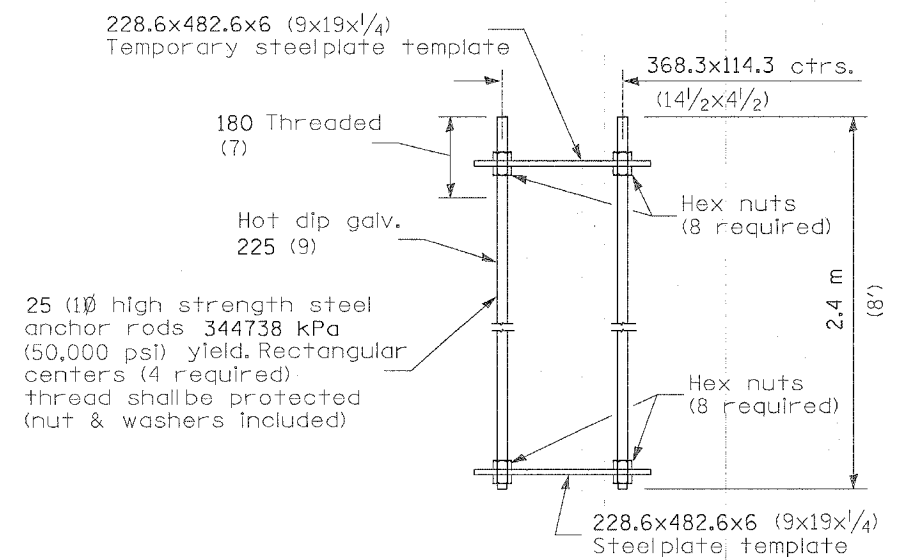
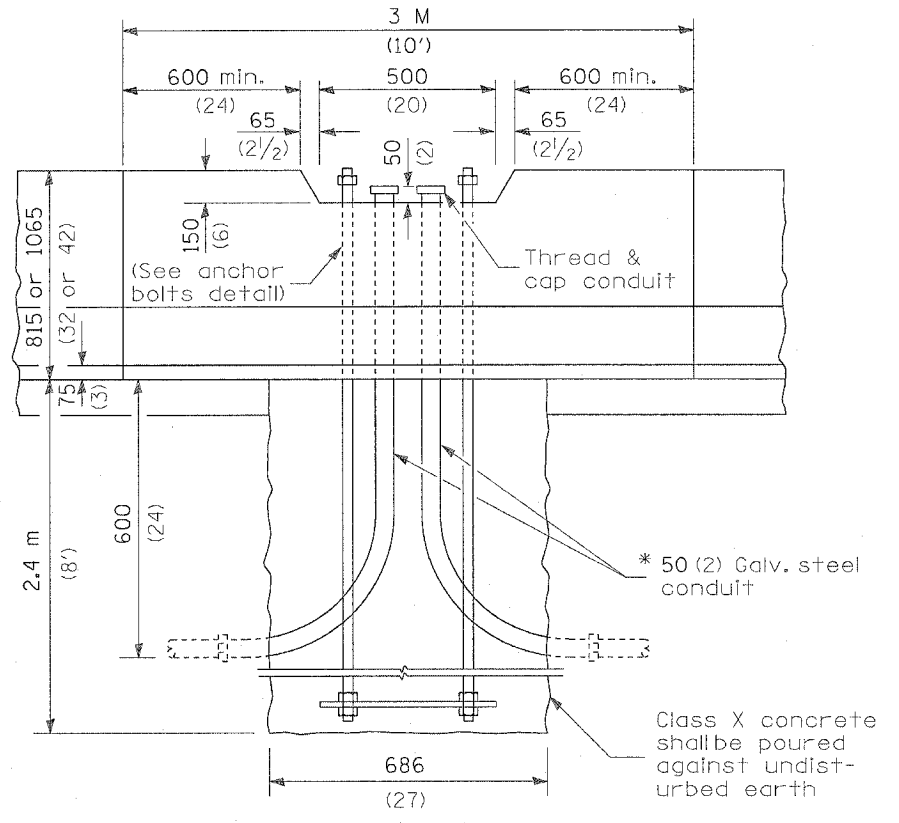


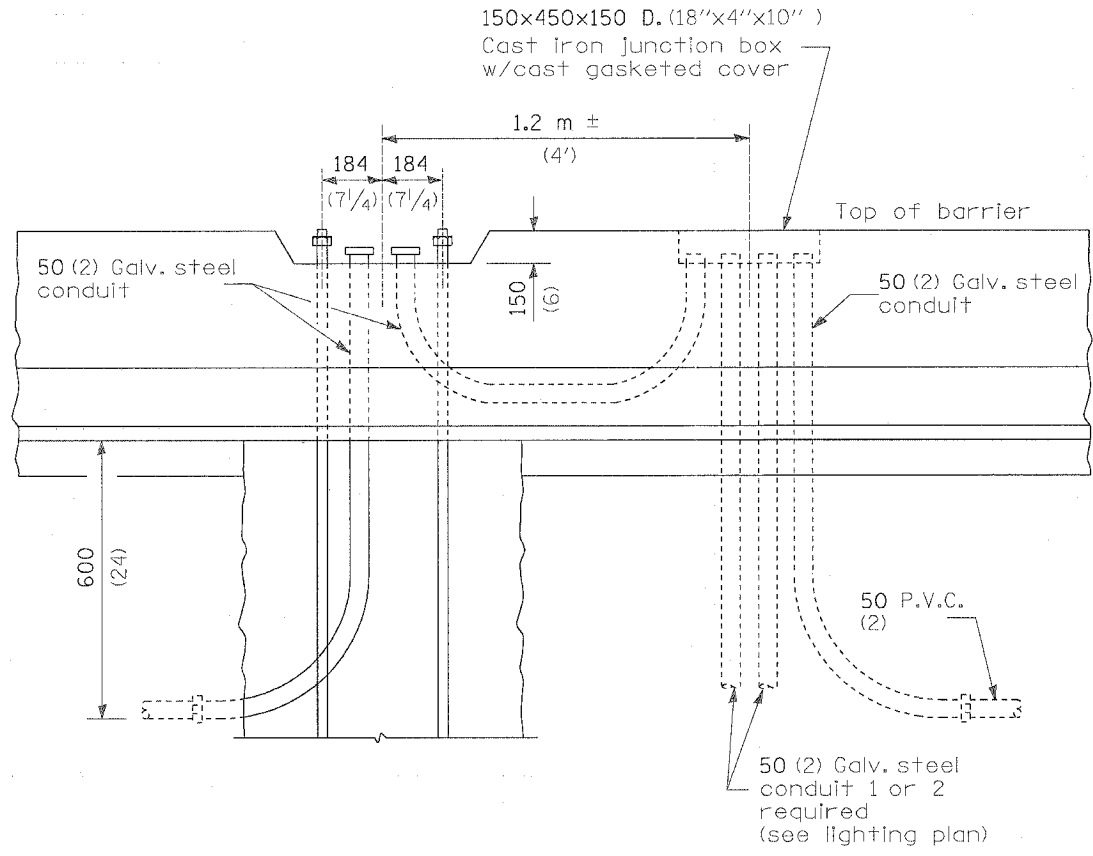
PLAN



ANCHOR ROD DETAIL



ELEVATION AT LIGHT POLE SUPPORT



ELEVATION

GENERAL NOTES

- The light pole base at the top of the barrier shall be cast level in a horizontal plane.
- * Not more than two 50 mm (2") ϕ conduit openings (or one 75 mm (3") ϕ conduit) at the pole base permitted (see plan for requirements).
- The contractor shall furnish protection for exposed anchor bolt threads.
- All anchor bolts shall be supplied with nuts, flatwashers and lockwashers.
- All dimensions are in millimeters (inches) unless otherwise shown.

CONTRACT NO. 64647				
F.A.P. RTE.	SECTION	COUNTY	TOTAL SHEETS	SHEET NO.
595	1-3-K	ROCK ISLAND	476	231
STA.	TO STA.			
FED. ROAD DIST. NO.	ILLINOIS	FED. AID PROJECT		

DATE	REVISIONS

POLE MOUNTING ON CONCRETE BARRIER