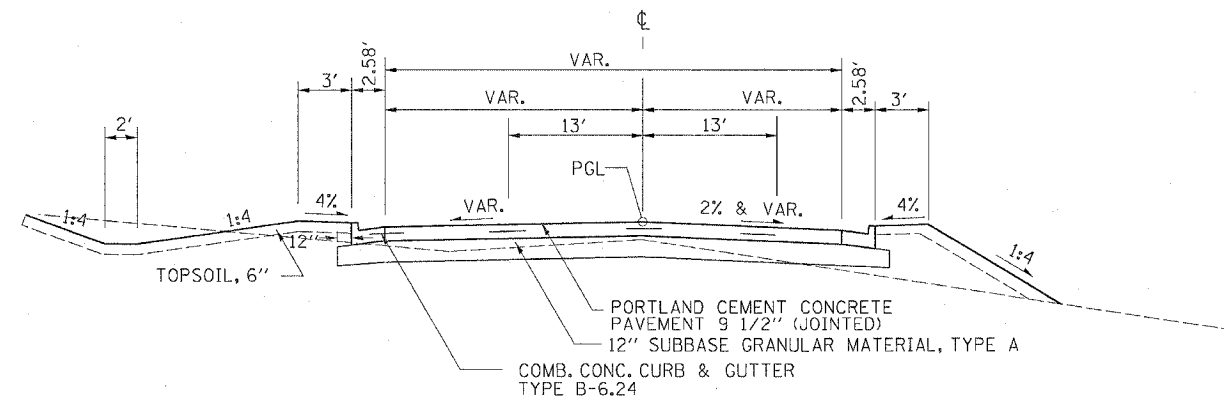
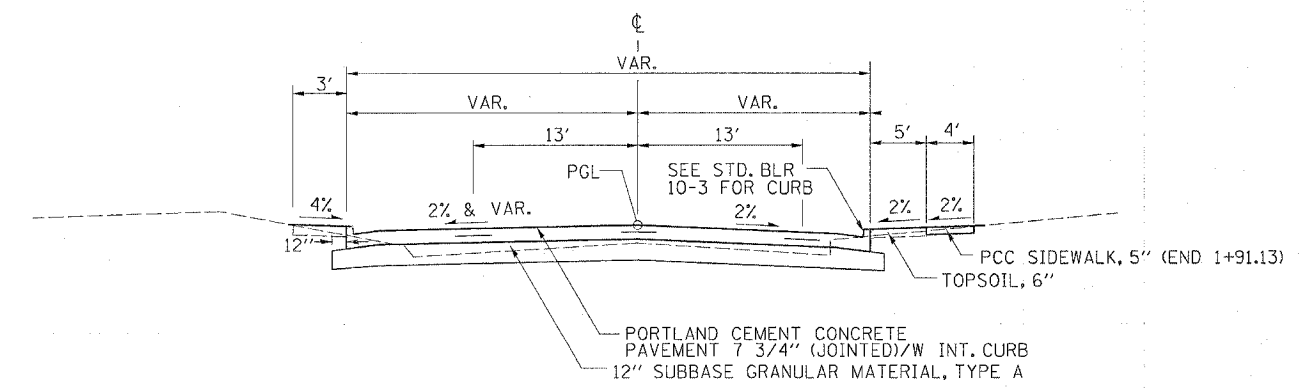


F.A.P. RTE.	SECTION	COUNTY	TOTAL SHEETS	SHEET NO.
595	1-3-K	ROCK ISLAND	476	30
STA.		TO STA.		
FED. ROAD DIST. NO.		ILLINOIS FED. AID PROJECT		

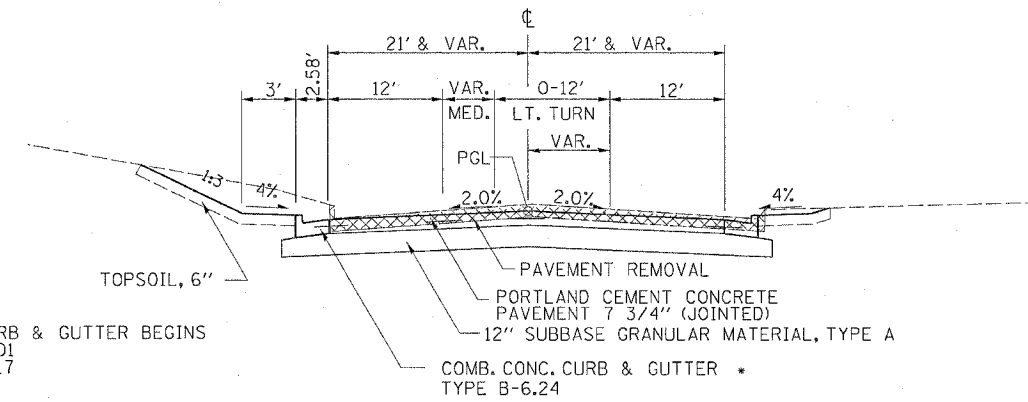
TYPICAL SECTIONS



TRINITY DRIVE (STA. 0+33.00 - 0+98.45)

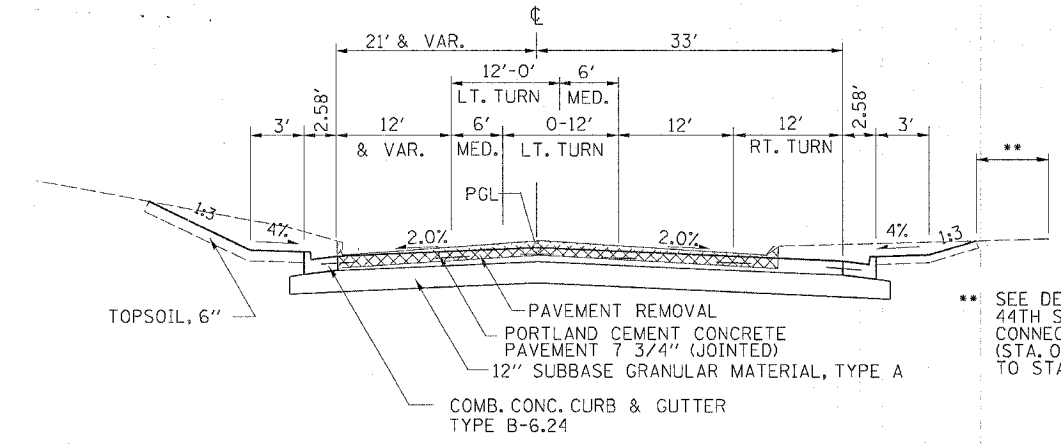


TRINITY DRIVE (STA. 0+98.45 - 2+92.62)



44TH STREET (STA. 15+00.00 - 17+00.00)

• COMB. CONC. CURB & GUTTER BEGINS
LT. STA. 15+53.01
RT. STA. 15+54.17



44TH STREET (STA. 17+00.00 - 19+68.75)

•• SEE DETAIL RT. 44TH STREET CONNECTOR (STA. 0+33 - 1+39) TO STA. 18+35