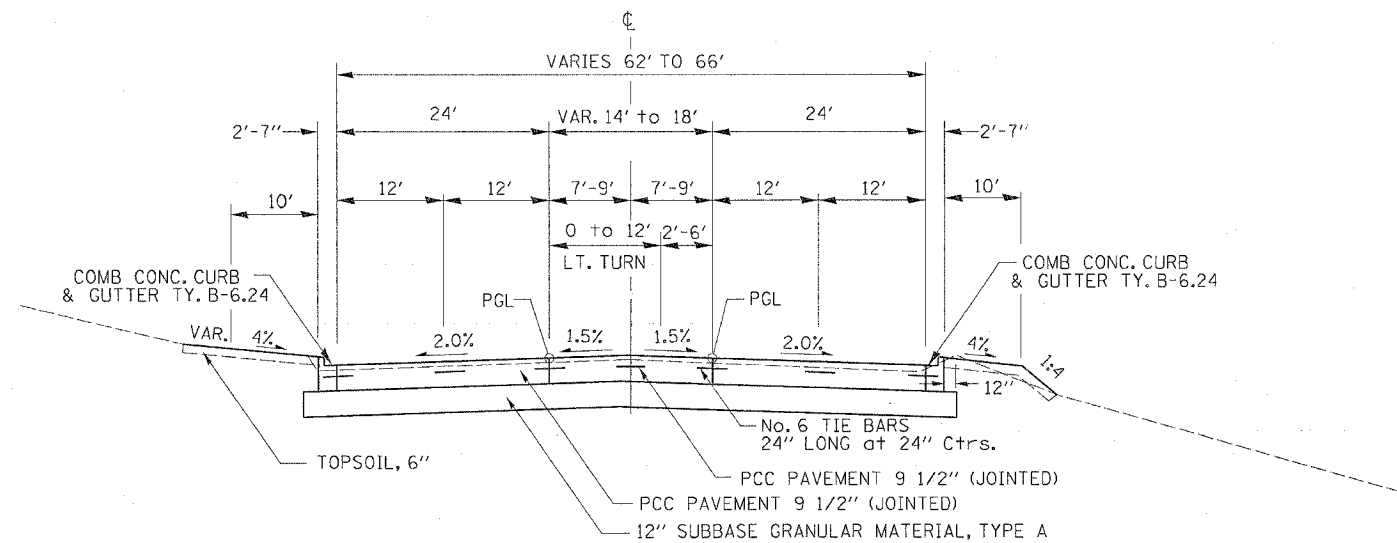


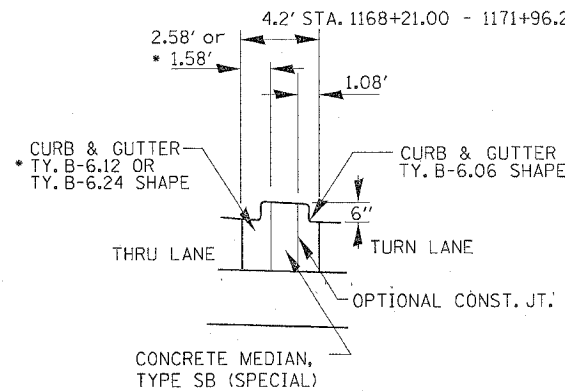
F.A.P. RTE.	SECTION	COUNTY	TOTAL SHEETS	SHEET NO.
595	1-3-K	ROCK ISLAND	476	24
STA.		TO STA.		
FED. ROAD DIST. NO.		ILLINOIS	FED. AID PROJECT	

TYPICAL SECTIONS



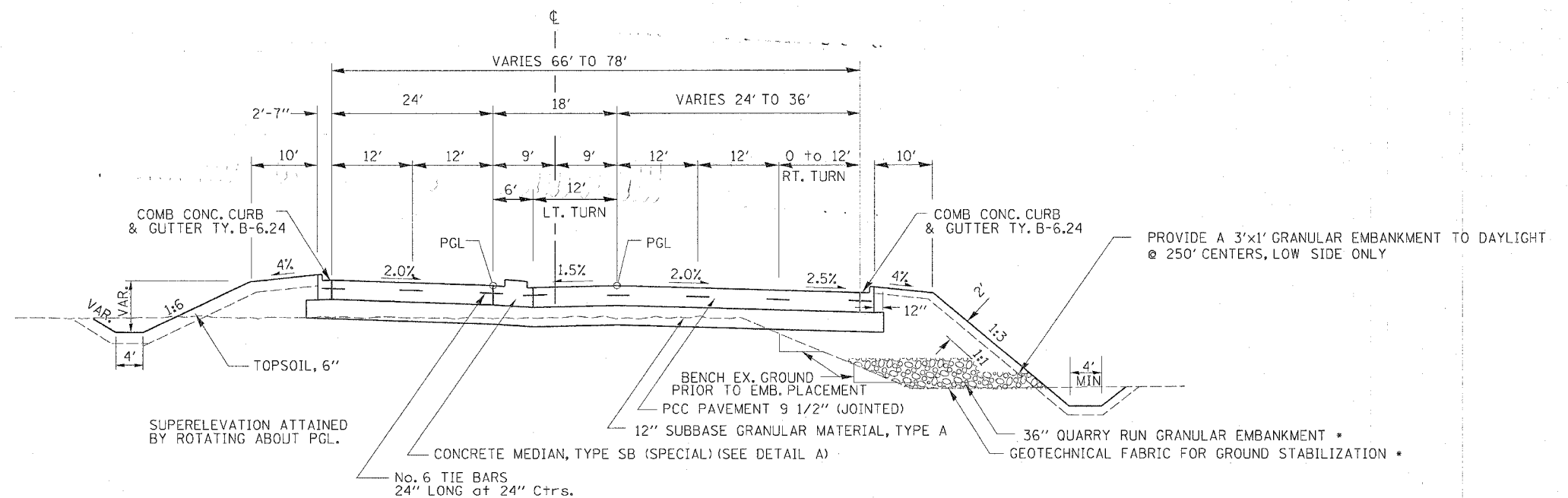
BLACKHAWK ROAD
STA. 1146+00.00 - 1147+94.08

6.0' & VAR. STA. 1148+44.00 - 1151+63.02
 STA. 1157+57.70 - 1157+90.86
 STA. 1160+52.50 - 1161+66.00
 STA. 1166+44.93 - 1168+21.00
 STA. 1168+21.00 - 1171+96.23



DETAIL A

• USE TY. B-6.12 SHAPE NORTH SIDE OF MEDIAN
 STA. 1170+31.27 - 1171+96.23



BLACKHAWK ROAD
STA. 1147+94.08 - 1152+50.00

••The cost of CA 6 OR CA 10 to be included
 in the cost of SUB-BASE GRANULAR
 MATERIAL, TYPE A

• Begin Quarry Run Granular Embankment Rt. Sta. 1150+25