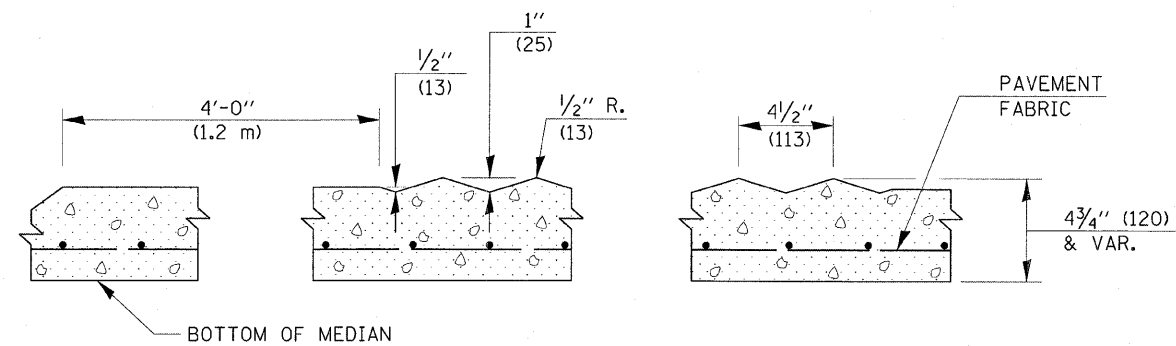


TRANSVERSE SECTION

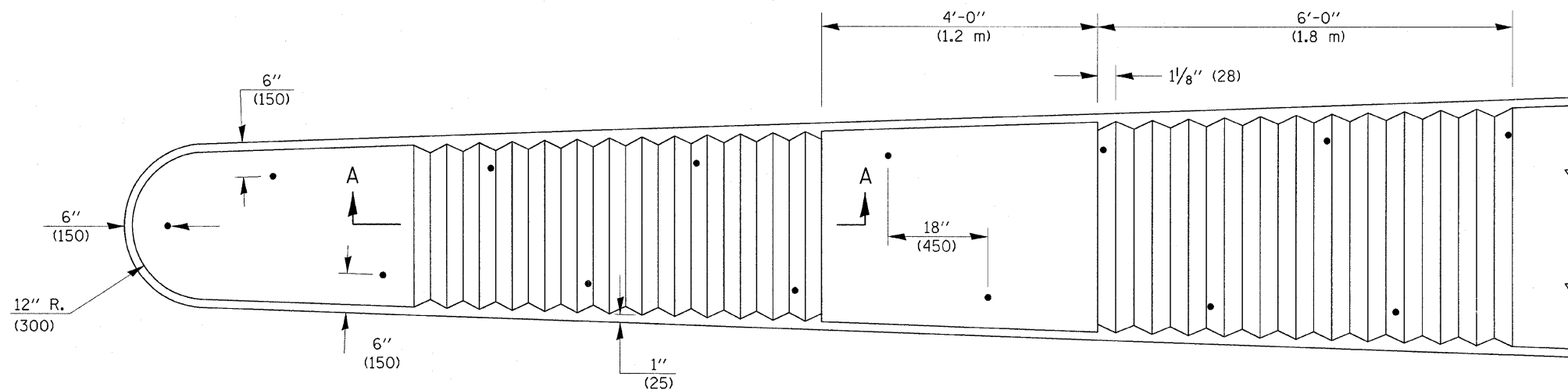
#4 (#10) DEFORMED BARS,
8" (200) LONG @ 3'-0" (900) CTS.



SECTION A-A

GENERAL NOTES

1. DOWELS AT 3'-0" (900) INTERVALS OR AS DIRECTED BY THE ENGINEER.
2. SEE STANDARD 420701 FOR PAVEMENT FABRIC DETAILS.



PLAN

Note: All dimensions are in INCHES (millimeters) unless otherwise shown.

FILE NAME =	USER NAME = teasleyck	DESIGNED -	REVISED - DRM 1/09	STATE OF ILLINOIS DEPARTMENT OF TRANSPORTATION	CORRUGATED MEDIAN (DOWELLED)			F.A.P. RTE.	SECTION	COUNTY	TOTAL SHEETS	SHEET NO.
ci:\pw_work\PWIDOT\TEASLEYCK\0123454\0	74378-shd-details.dgn	DRAWN -	REVISED -					742	12RS-4	Macon	26	23
	PLOT SCALE = 50.0000' / IN.	CHECKED -	REVISED -					CONTRACT NO. 74379				
	PLOT DATE = 2/6/2009	DATE -	REVISED -					ILLINOIS FED. AID PROJECT				