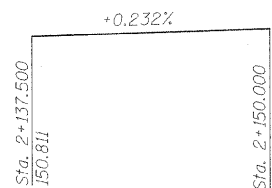
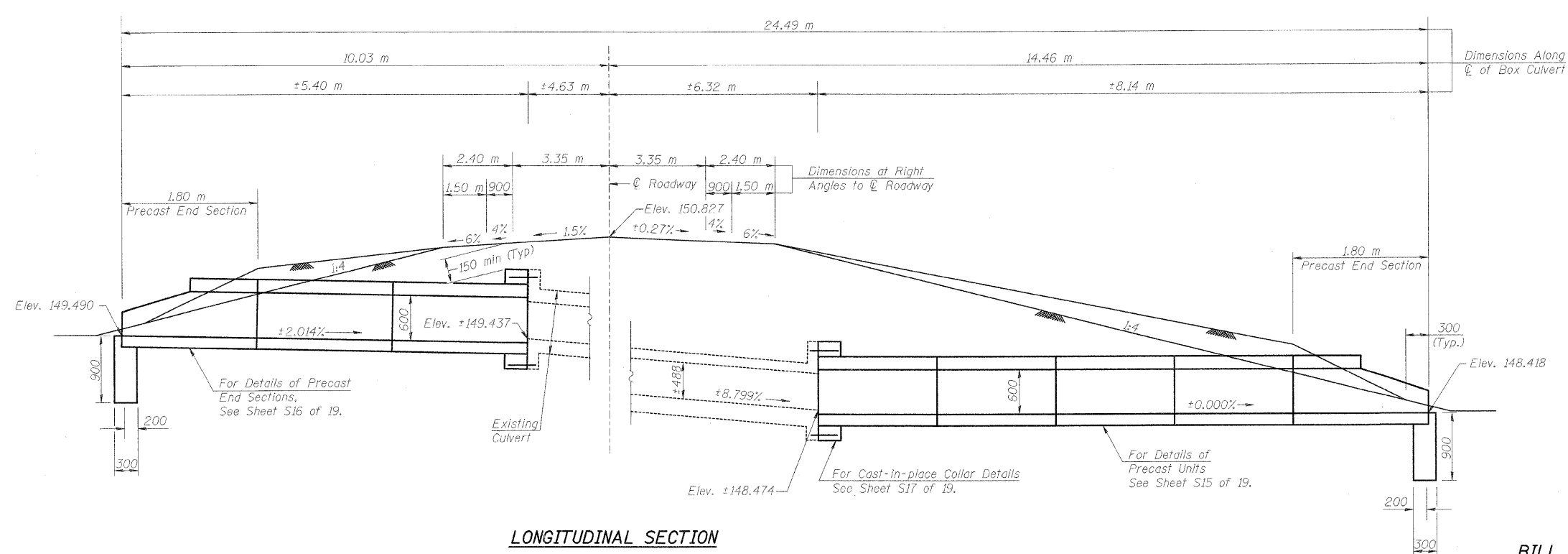


F.A.P. RTE.	SECTION	COUNTY	TOTAL SHEETS	SHEET NO.
781	2ZRS-1	CRAWFORD	191	131
STA.		TO STA.		
FED. ROAD DIST. NO.		ILLINOIS	FED. AID PROJECT	

Existing Structure: The structure is a single barrel 610 mm x 488 mm box culvert at a skew of 0°49'55" right forward. The culvert has an overall length of 10.95 m. The contractor shall extend the culvert on each end for the dimensions shown.



CURVE P2 DATA

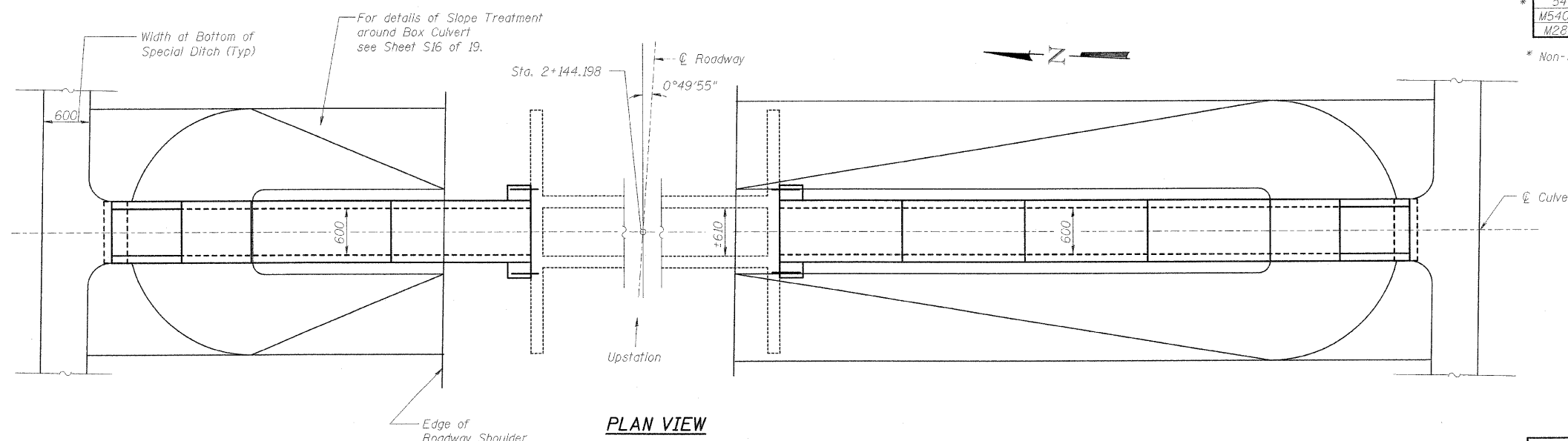
PI Sta. 2+006.106
 $\Delta = 41^\circ 59' 15''$ (LT)
 T = 118.158 m
 R = 307.912 m
 L = 225.644 m
 E = 21.893 m
 S.E. = 6.0%
 PC Sta. 1+887.948
 PT Sta. 2+113.592

Affain S.E. Sta. 1+847.948 to 1+901.948
 And Sta. 2+099.592 to 2+153.592

BILL OF MATERIAL - BOX CULVERT NO. 4

Item	Unit	Total
M5030350 Concrete Structures	cu. m.	0.5
M5080205 Reinforcement Bars, Epoxy Coated	kg	100
M5401005 Precast Concrete Box Culvert (600x600)	m	9.9
* 5401004 Box Culvert End Section, Culvert No. 4	Each	2
M5403220 Expansion Bolts (M20x250)	Each	24
M2810707 Stone Riprap, Class A4	sq. m.	See Plans

* Non-standard size.



REVISIONS	
NAME	DATE
LWJ	2-02-09

ILLINOIS DEPARTMENT OF TRANSPORTATION
 BOX CULVERT EXTENSIONS
 GENERAL PLAN & ELEVATION
 BOX CULV. NO. 4, STA. 2+144.198

SCALE NONE DRAWN BY MLB
 DATE DECEMBER 10, 2006 CHECKED BY MTH

LIN NO. 9803

PLOT DATE = 2/5/2009
 FILE NAME = H:\4420\Contract\74349\SH1_131_S-02.dgn