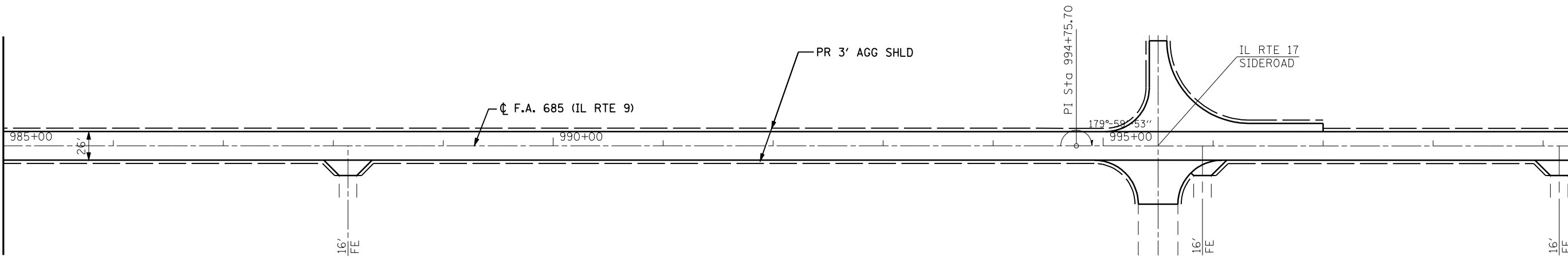


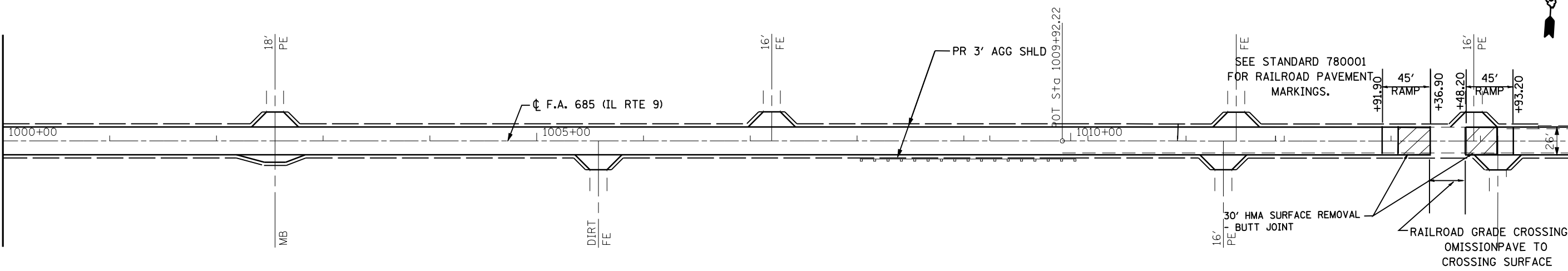
MATCH LINE STA 985+00

MATCH LINE STA 1000+00



MATCH LINE STA 1000+00

MATCH LINE STA 1015+00



FILE NAME =  
 \*FILEABBREV\*  
**THE UPCHURCH GROUP, INC.**

USER NAME = laughlinr1  
 PLOT SCALE = 100.000' / IN.  
 PLOT DATE = Feb-06-2009 08:08:28PM

DESIGNED - MJS  
 DRAWN - RMH  
 CHECKED -  
 DATE - FEB 2008

REVISED -  
 REVISED -  
 REVISED -  
 REVISED -

**STATE OF ILLINOIS  
 DEPARTMENT OF TRANSPORTATION**

**ALIGNMENT SCHEMATIC  
 ILLINOIS ROUTE 9 DALLAS CITY TO LA HARPE**

SCALE: 1"=50' SHEET NO. OF SHEETS STA. 985+00 TO STA. 1015+00

F.A.P. RTE.	SECTION	COUNTY	TOTAL SHEETS	SHEET NO.
685	D-6 Resurfacing 2011-1	Hancock	44	39
FED. ROAD DIST. NO. 5 ILLINOIS FED. AID PROJECT			CONTRACT NO. 72983	