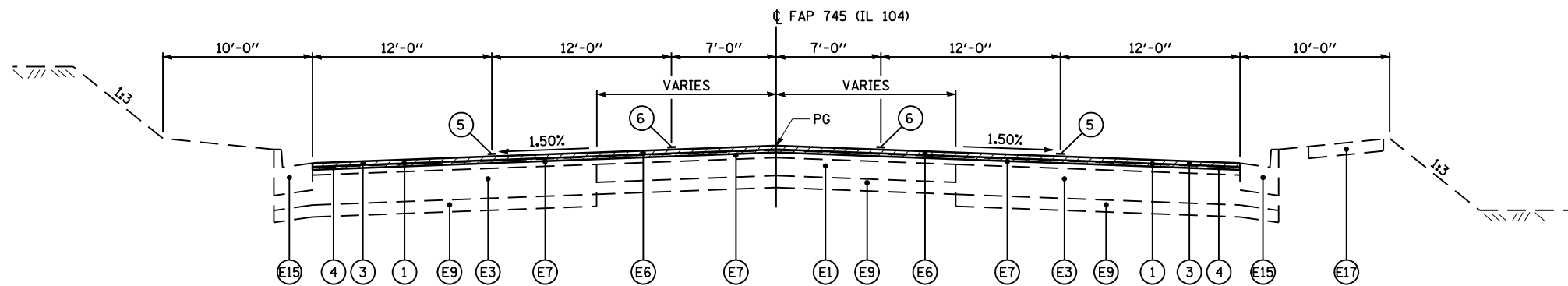


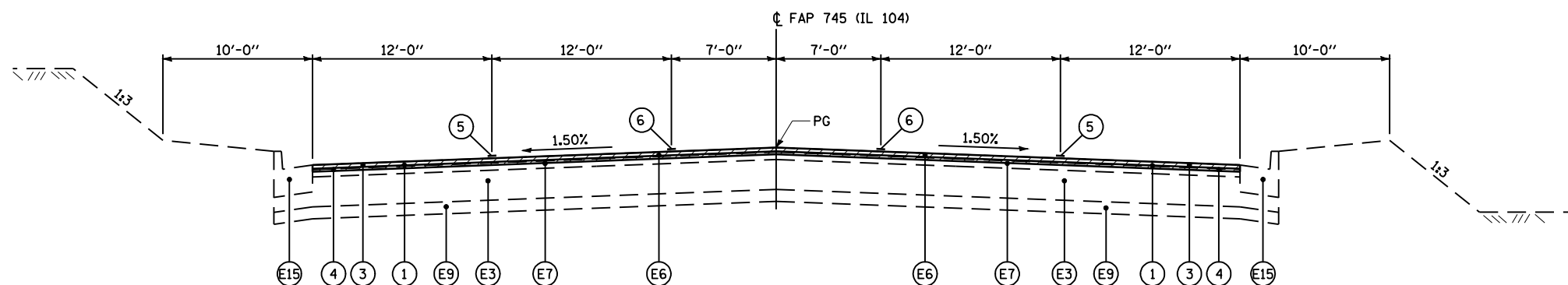
TYPICAL FAP 745 (IL 104) SECTION

STA 135+14.32 TO STA 136+47.08



TYPICAL FAP 745 (IL 104) SECTION

STA 136+47.08 TO STA 143+00.00



TYPICAL FAP 745 (IL 104) SECTION

STA 143+00.00 TO STA 167+00.00

STATION EQUATION:
162+34.45 BK. = 162+34.00 AH.

LEGEND

- Ⓔ EXISTING PCC PAVEMENT (9'-6"-9") W/ HOT-MIX ASPHALT OVERLAY, 4 1/2"±
- Ⓔ EXISTING CONTINUOUSLY REINFORCED PCC PAVEMENT, 8"
- Ⓔ EXISTING HOT-MIX ASPHALT BASE COURSE, 10"
- Ⓔ EXISTING HOT-MIX ASPHALT BASE COURSE WIDENING, 10"
- Ⓔ EXISTING HOT-MIX ASPHALT BASE COURSE, 8"
- Ⓔ EXISTING HOT-MIX ASPHALT SURFACE COURSE, 1 1/2"
- Ⓔ EXISTING HOT-MIX ASPHALT BINDER COURSE, 2 1/2" AND VARIES
- Ⓔ EXISTING HOT-MIX ASPHALT LEVELING BINDER, 3/4" MINIMUM AND VARIES
- Ⓔ EXISTING SUB-BASE GRANULAR MATERIAL, 4" AND VARIES
- Ⓔ EXISTING STABILIZED SUB-BASE, 4"
- Ⓔ EXISTING HOT-MIX ASPHALT SHOULDERS, 8"
- Ⓔ EXISTING AGGREGATE SHOULDERS, 8"
- Ⓔ EXISTING CONCRETE MEDIAN SURFACE, 4"
- Ⓔ EXISTING SAND FILL
- Ⓔ EXISTING CURB AND GUTTER TYPE B-6.24
- Ⓔ EXISTING PIPE UNDERDRAIN, 4"
- Ⓔ EXISTING SIDEWALK, 4"

- ① PROPOSED HOT-MIX ASPHALT SURFACE REMOVAL, 2 1/4"
- ② PROPOSED HOT-MIX ASPHALT SURFACE REMOVAL, VARIABLE DEPTH (SEE DETAIL ON SHEET 14)
- ③ PROPOSED POLYMERIZED HOT-MIX ASPHALT SURFACE COURSE, MIX "D", N70, 1 1/2"
- ④ PROPOSED LEVELING BINDER (MACHINE METHOD), N70, 3/4"
- ⑤ PROPOSED PREFORMED PLASTIC PAVEMENT MARKING, TYPE B-INLAID-5"
- ⑥ PROPOSED URETHANE PAVEMENT MARKING
- ⑦ PROPOSED PAINT PAVEMENT MARKING - 5"
- ⑧ PROPOSED HOT-MIX ASPHALT SHOULDER, 2 1/4" & VARIES (RUMBLE STRIPS CONSTRUCTED PER STANDARD 642001)
- ⑨ PROPOSED AGGREGATE SHOULDER, TYPE B (WEDGE)
- ⑩ PROPOSED HOT-MIX ASPHALT BASE COURSE/WIDENING, 8"
- ⑪ PROPOSED HOT-MIX ASPHALT SHOULDERS, 8"

FILE NAME =	USER NAME = laughlinr1	DESIGNED -	REVISED -	STATE OF ILLINOIS DEPARTMENT OF TRANSPORTATION	TYPICAL SECTIONS			F.A.P. RTE.	SECTION	COUNTY	TOTAL SHEETS	SHEET NO.
et:\pwork\pwork\LAUGHLINRL\dms23418\tpicels.dgn		DRAWN -	REVISED -		745	103(RS-12), 104(RS-5)	ADAMS	109	7			
PLOT SCALE = 100.0002' / IN.		CHECKED -	REVISED -		CONTRACT NO. 72877							
PLOT DATE = Jan-23-2009 11:46:34AM		DATE -	REVISED -		SCALE: 1"=50'	SHEET NO. 1 OF 8 SHEETS	STA.	TO STA.	FED. ROAD DIST. NO.	ILLINOIS FED. AID PROJECT		