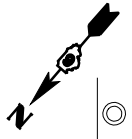
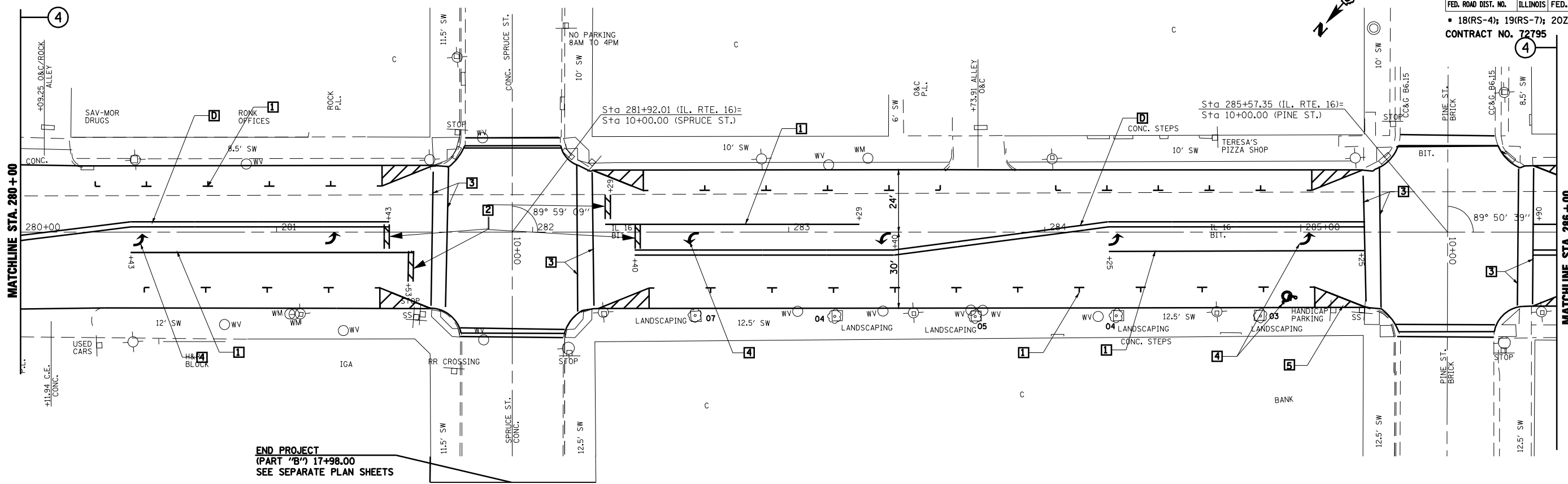


F.A.P. RTE.	SECTION	COUNTY	TOTAL SHEETS	SHEET NO.
325	*	MONTGOMERY	28	18
STA.	280+00.00	TO STA.	292+00.00	
FED. ROAD DIST. NO.	ILLINOIS	FED. AID PROJECT		

\* 18(RS-4); 19(RS-7); 20Z(RS-5)  
**CONTRACT NO. 72795**



PLAN	SURVEYED	DATE
	PLOTTED	BY
	NOTED	
	BY	
	NO. OF WAY CHECKED	
	CADD FILE NAME	
	NO.	

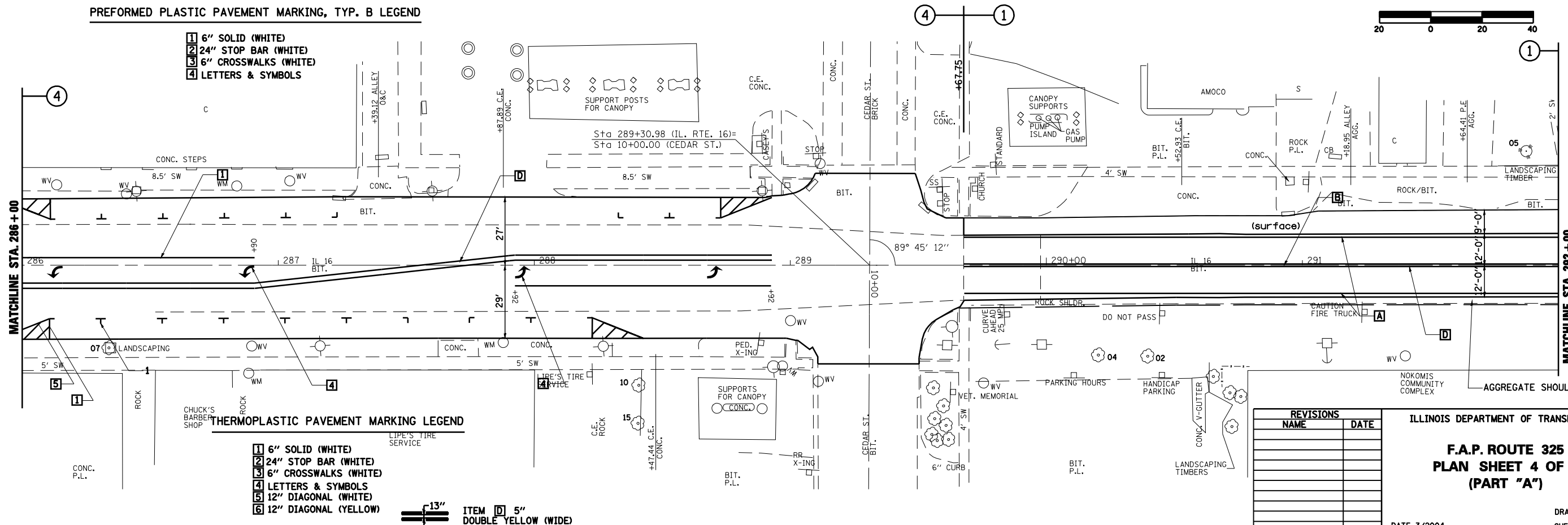


END PROJECT  
(PART 'B') 17+98.00  
SEE SEPARATE PLAN SHEETS

PROFILE	SURVEYED	DATE
	PLOTTED	BY
	NOTED	
	BY	
	STRUCTURE NOTATIONS CHKD	
	NO.	

**PERFORMED PLASTIC PAVEMENT MARKING, TYP. B LEGEND**

- 1 6" SOLID (WHITE)
- 2 24" STOP BAR (WHITE)
- 3 6" CROSSWALKS (WHITE)
- 4 LETTERS & SYMBOLS



**THERMOPLASTIC PAVEMENT MARKING LEGEND**

- 1 6" SOLID (WHITE)
  - 2 24" STOP BAR (WHITE)
  - 3 6" CROSSWALKS (WHITE)
  - 4 LETTERS & SYMBOLS
  - 5 12" DIAGONAL (WHITE)
  - 6 12" DIAGONAL (YELLOW)
- 13" ITEM [D] 5" DOUBLE YELLOW (WIDE)

REVISIONS	
NAME	DATE

ILLINOIS DEPARTMENT OF TRANSPORTATION  
**F.A.P. ROUTE 325**  
**PLAN SHEET 4 OF 7**  
**(PART 'A')**  
DATE 3/2004  
DRAWN BY MLO  
CHECKED BY SJK