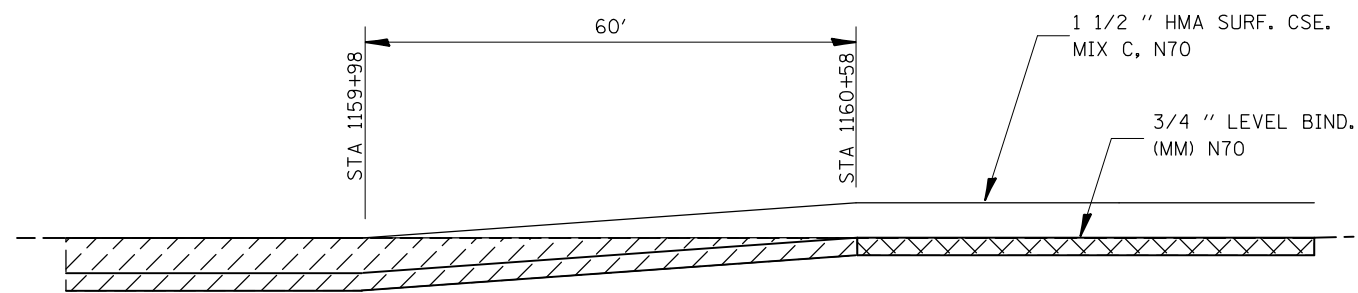

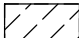


HOT MIX ASPHALT TAPER DETAIL

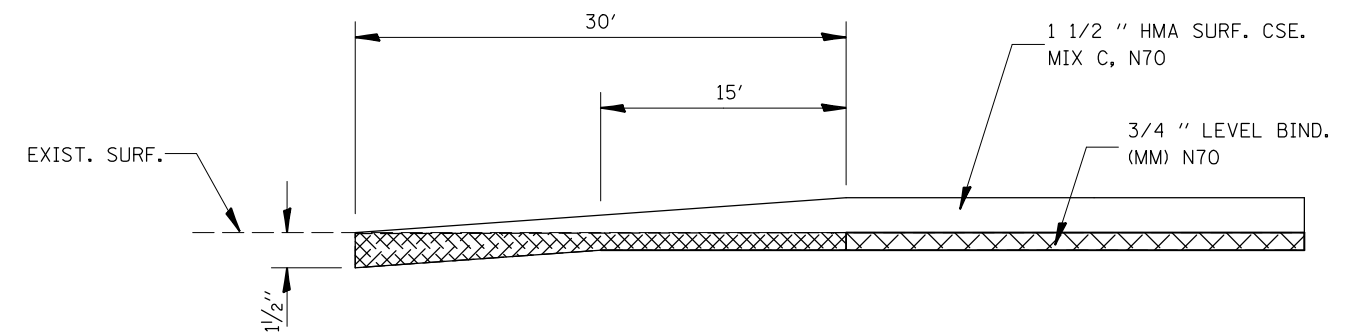
TRANSITION FROM 3/4 " TO 2 1/4 " MILLING

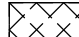



-  HOT MIX ASPHALT SURFACE COURSE REMOVAL, 3/4 "
-  HOT MIX ASPHALT SURFACE COURSE REMOVAL, 2 1/4 "

HOT MIX ASPHALT BUTT JOINT DETAIL

END OF PROJECT
EACH SIDE OF BRIDGE OMISSION



-  HOT MIX ASPHALT SURFACE COURSE REMOVAL, 3/4 "
-  HOT MIX ASPHALT SURFACE COURSE REMOVAL, BUTT JOINT

FILE NAME =	USER NAME = stultsjw	DESIGNED -	REVISED -
ct:\pw\work\PWIDOT\STULTSJW\d0117834\0506-shit-details.dgn		DRAWN -	REVISED -
	PLOT SCALE = 100.0000 ' / IN.	CHECKED -	REVISED -
	PLOT DATE = 1/30/2009	DATE -	REVISED -

**STATE OF ILLINOIS
DEPARTMENT OF TRANSPORTATION**

HOT MIX ASPHALT TAPER DETAIL			
HOT MIX ASPHALT BUTT JOINT DETAIL			
SCALE:	SHEET NO.	OF SHEETS	STA. TO STA.

F.A.P. RTE.	SECTION	COUNTY	TOTAL SHEETS	SHEET NO.
317	(28)RS-4 & (29,30)RS-2	MCLEAN	54	40
CONTRACT NO. 70506				
ILLINOIS FED. AID PROJECT				