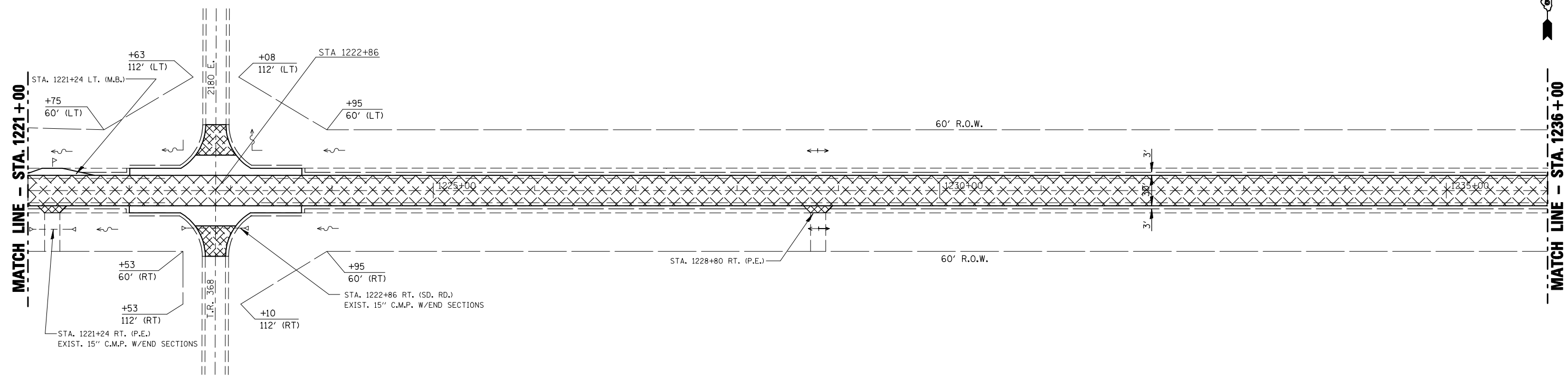
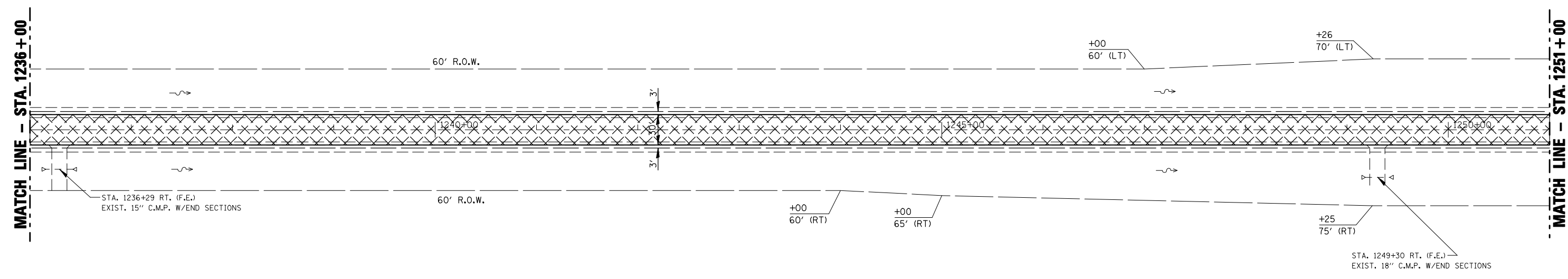


SEC 10&11, T26N, R3E, 3RD PM



- HOT MIX ASPHALT SURFACE COURSE REMOVAL, 2 1/4 "
- HOT MIX ASPHALT SURFACE COURSE REMOVAL, VARIABLE DEPTH (2 1/4" TO 1 1/2")
- HOT MIX ASPHALT SURFACE COURSE REMOVAL, 3/4 "
- HOT MIX ASPHALT SURFACE COURSE REMOVAL, BUTT JOINT

SEC 11, T26N, R3E, 3RD PM



| | | | |
|--|----------------------|------------|-----------|
| FILE NAME = | USER NAME = stultsjw | DESIGNED - | REVISED - |
| ce:\pw\work\PWIDOT\STULTSJW\d0117834\0506-shr-plan.dgn | | DRAWN - | REVISED - |
| PLOT SCALE = 100.0000' / IN. | | CHECKED - | REVISED - |
| PLOT DATE = 1/30/2009 | | DATE - | REVISED - |

STATE OF ILLINOIS
DEPARTMENT OF TRANSPORTATION

| | | | |
|-------------------|-----------|-----------|------------------------------|
| PLAN SHEET | | | |
| SCALE: | SHEET NO. | OF SHEETS | STA. 1221+00 TO STA. 1251+00 |

| F.A.P. RTE. | SECTION | COUNTY | TOTAL SHEETS | SHEET NO. |
|--------------------|------------------------|--------|---------------------------|-----------|
| 317 | (28)RS-4 & (29,30)RS-2 | MCLEAN | 54 | 30 |
| CONTRACT NO. 70506 | | | ILLINOIS FED. AID PROJECT | |