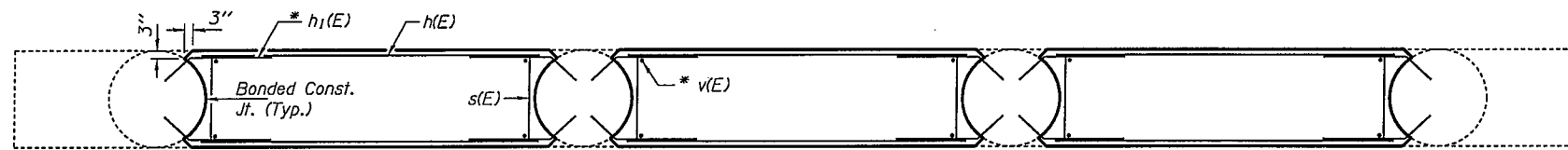


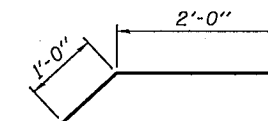
STATE OF ILLINOIS
DEPARTMENT OF TRANSPORTATION

GENERAL NOTES

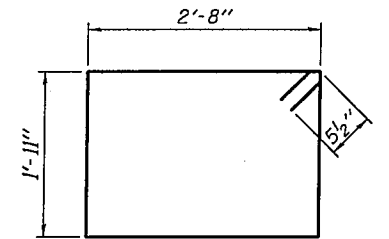
Reinforcement bars shall conform to the requirements of ASTM A 706 Gr 60. See Special Provisions.
Reinforcement bars designated (E) shall be epoxy coated.
Plan dimensions and details relative to existing plans are subject to nominal construction variations. The Contractor shall field verify existing dimensions and details affecting new construction and make necessary approved adjustments prior to construction or ordering of materials. Such variations shall not be cause for additional compensation for a change in scope of the work, however, the Contractor will be paid for the quantity actually furnished at the unit price bid for the work.



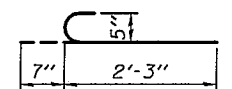
SECTION B-B



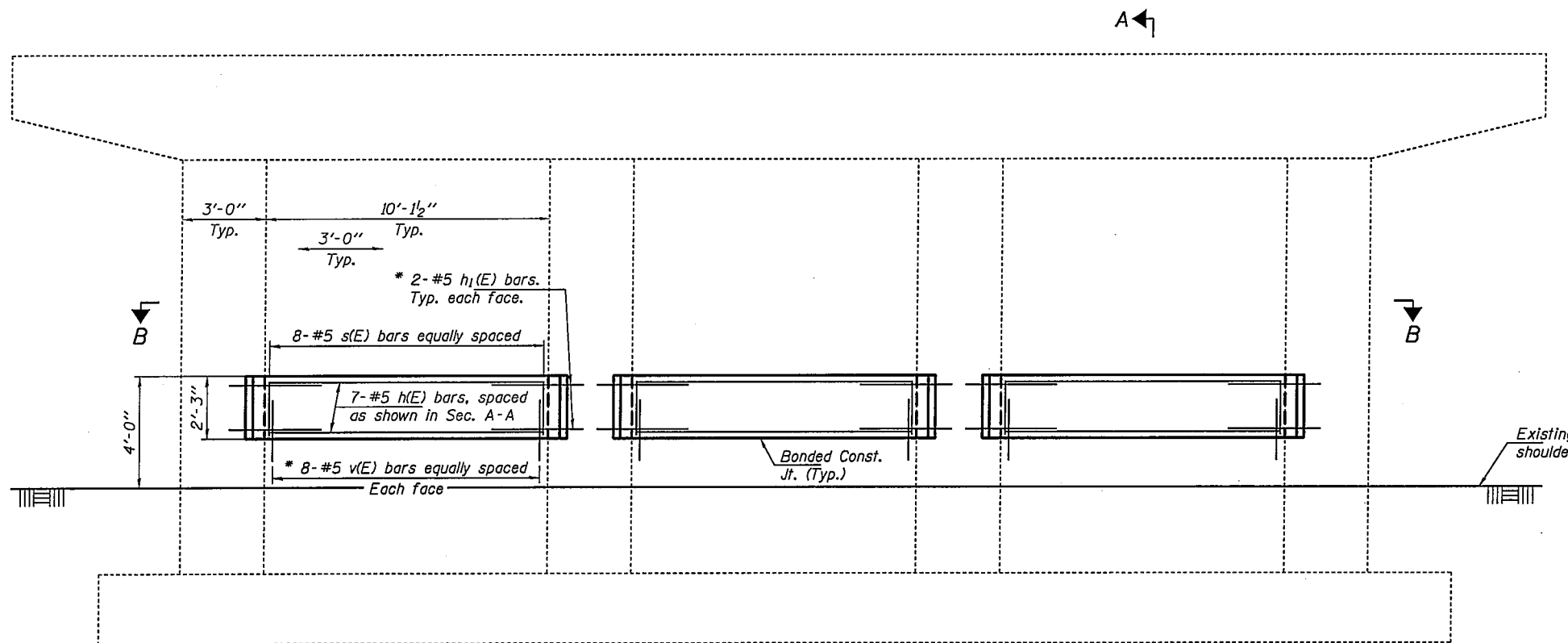
BAR h₁(E)



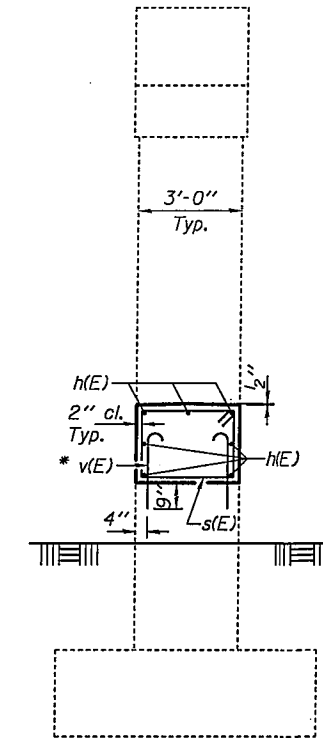
BAR s(E)



BAR v(E)



ELEVATION



SECTION A-A

BILL OF MATERIAL

Bar	No.	Size	Length	Shape
h(E)	21	#5	9'-10"	—
h ₁ (E)	24	#5	3'-0"	—
s(E)	24	#5	10'-1"	□
v(E)	48	#5	2'-10"	—
Concrete Structures			Cu. Yd.	8.0
Reinforcement Bars, Epoxy Coated			Pound	680

* Epoxy grout h₁(E) & v(E) bars in 9" min. holes according to Article 584 of the Standard Specifications.

**CRASH WALL EXTENSION
EAST PIER 3
INTERSTATE SAFETY 2007
SN 057-0048**

DESIGNED	VHV
CHECKED	DAB
DRAWN	ballva
CHECKED	VHV DAB

MARCH 3, 2009
EXAMINED *Carl Proyer*
ENGINEER OF STRUCTURAL SERVICES
PASSED *Ralph E. Anderson*
ENGINEER OF BRIDGES AND STRUCTURES

SHEET NO. 4 4 SHEETS	F.A.I. RTE.	SECTION	COUNTY	TOTAL SHEETS	SHEET NO.
	74	57-20(I) & (57-4,5-6)RS-3	MC LEAN	160	119
FED. ROAD DIST. NO.			ILLINOIS	FED. AID PROJECT	
CONTRACT NO. 70505					