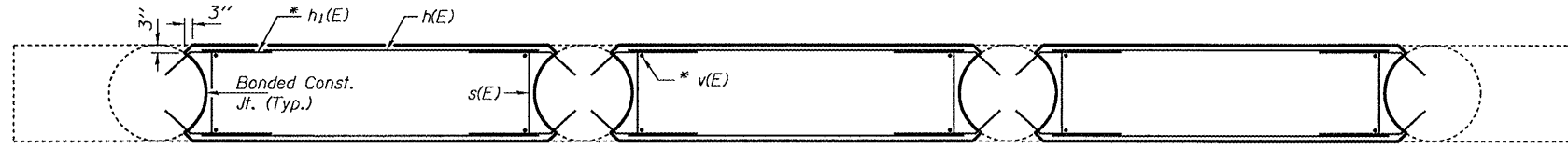


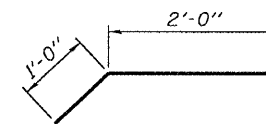
STATE OF ILLINOIS
DEPARTMENT OF TRANSPORTATION

GENERAL NOTES

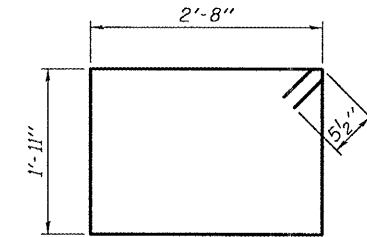
Reinforcement bars shall conform to the requirements of ASTM A 706 Gr 60. See Special Provisions.
Reinforcement bars designated (E) shall be epoxy coated.
Plan dimensions and details relative to existing plans are subject to nominal construction variations. The Contractor shall field verify existing dimensions and details affecting new construction and make necessary approved adjustments prior to construction or ordering of materials. Such variations shall not be cause for additional compensation for a change in scope of the work, however, the Contractor will be paid for the quantity actually furnished at the unit price bid for the work.



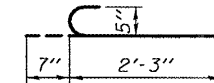
SECTION B-B



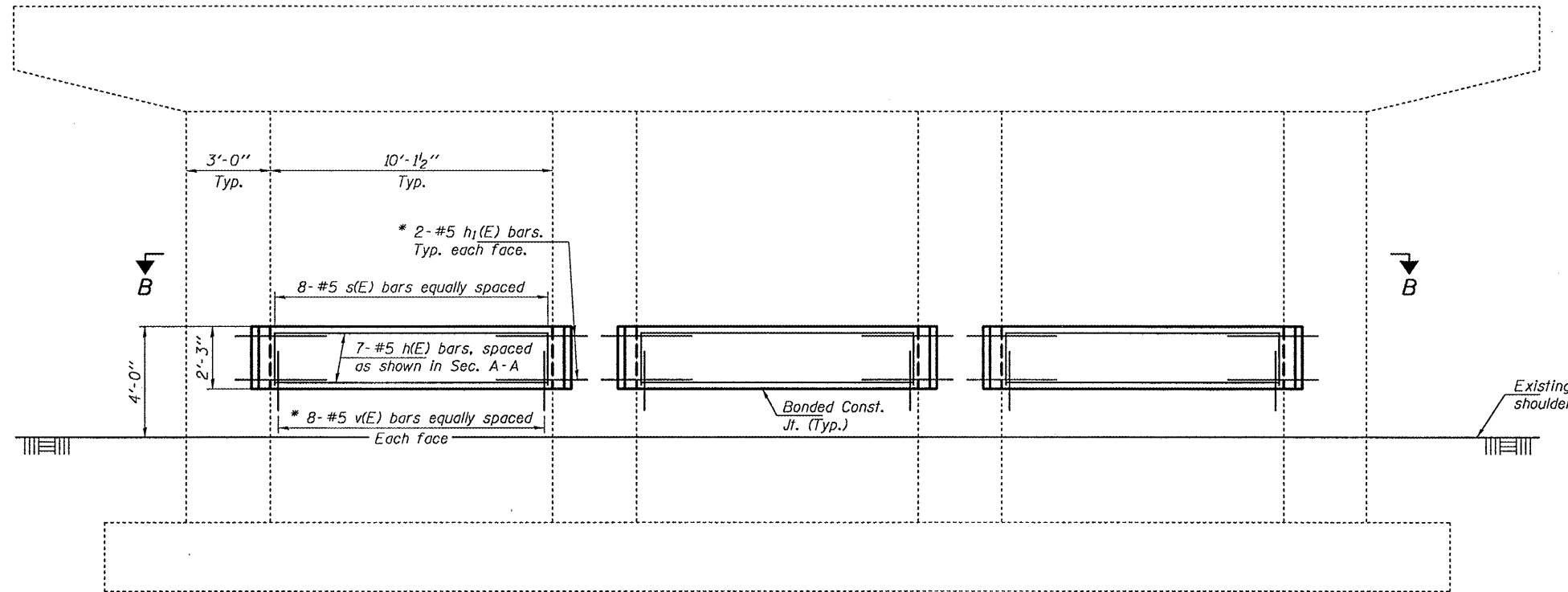
BAR h1(E)



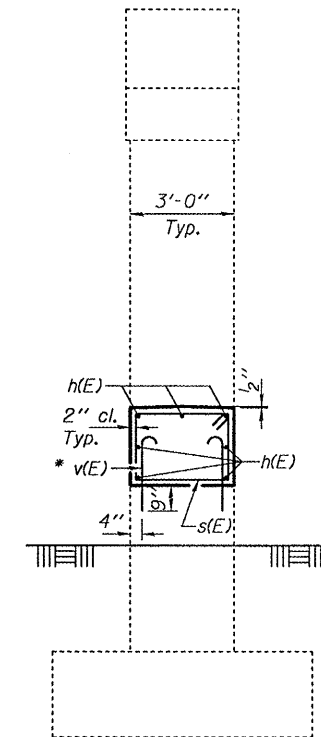
BAR s(E)



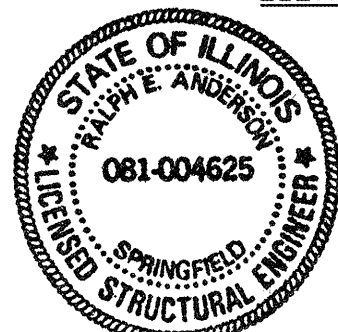
BAR v(E)



ELEVATION



SECTION A-A



EXPIRES 11-30-2010

BILL OF MATERIAL

Bar	No.	Size	Length	Shape
h(E)	21	#5	9'-10"	—
h1(E)	24	#5	3'-0"	—
s(E)	24	#5	10'-1"	□
v(E)	48	#5	2'-10"	—
Concrete Structures		Cu. Yd.	8.0	
Reinforcement Bars, Epoxy Coated		Pound	680	

* Epoxy grout h1(E) & v(E) bars in 9" min. holes according to Article 584 of the Standard Specifications.

**CRASH WALL EXTENSION
WEST PIER 4
INTERSTATE SAFETY 2007
SN 057-0047**

DESIGNED *Vic A. Veliz*
CHECKED *Dimitri Baliva*
DRAWN *baliva*
CHECKED *VAV JAB*

MARCH 3, 2009
EXAMINED *Ralph E. Anderson*
PASSED *Ralph E. Anderson*
ENGINEER OF STRUCTURAL SERVICES
ENGINEER OF BRIDGES AND STRUCTURES

SHEET NO. 1 4 SHEETS	F.A.I. RTE.	SECTION	COUNTY	TOTAL SHEETS	SHEET NO.
	74	57-20(1) & (57-4,5-6)RS-3	MC LEAN	160	116
			CONTRACT NO. 70505		
FED. ROAD DIST. NO.		ILLINOIS FED. AID PROJECT			