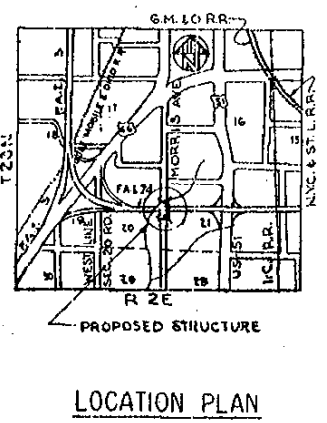
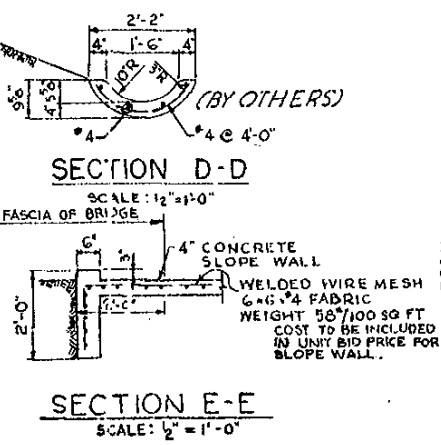
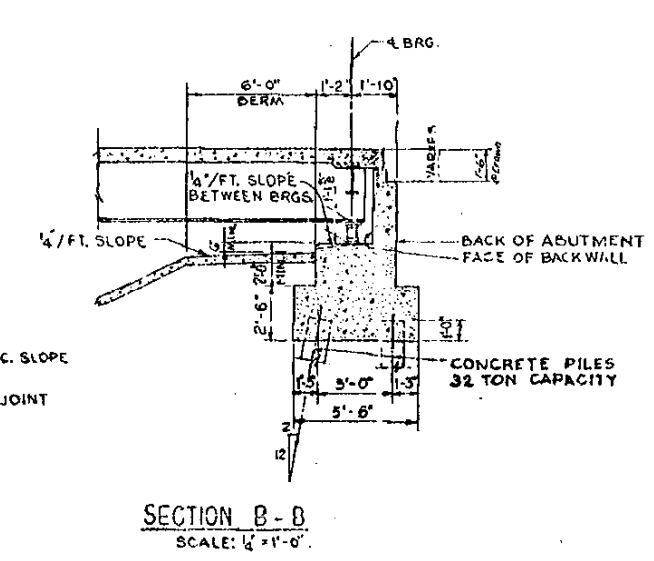
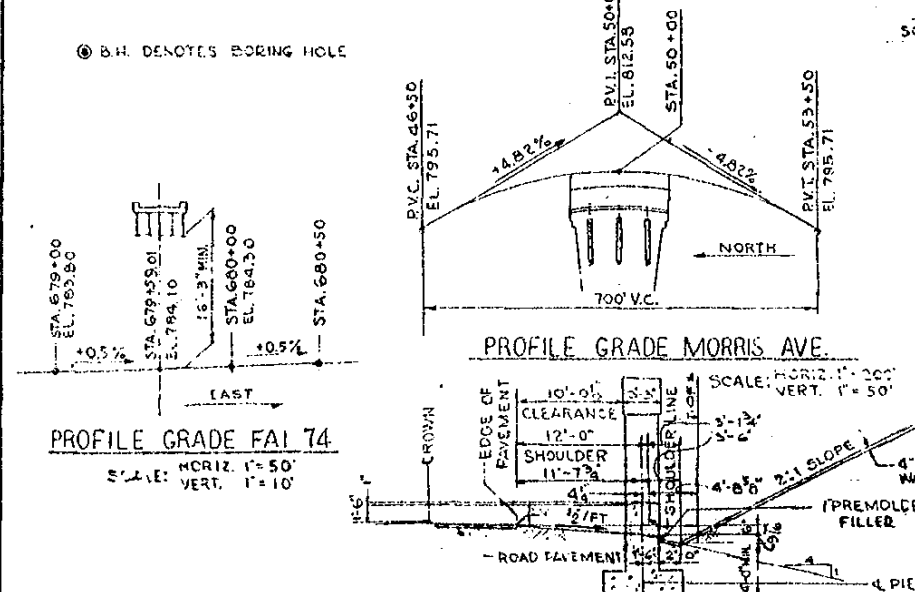
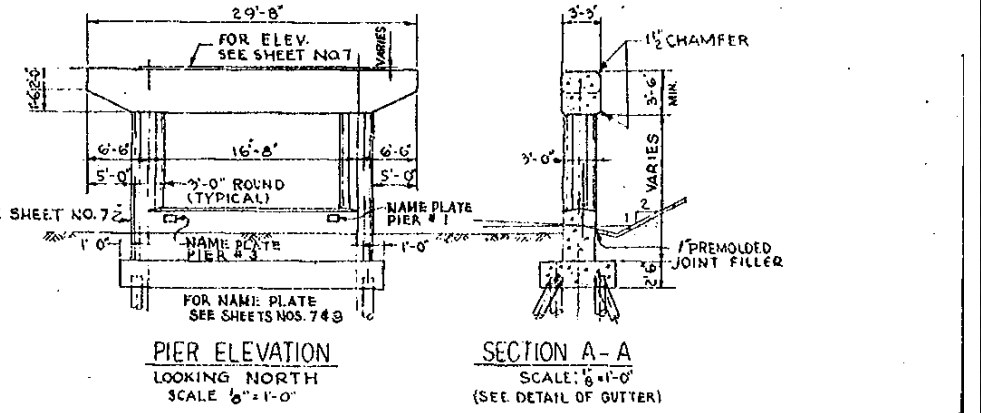
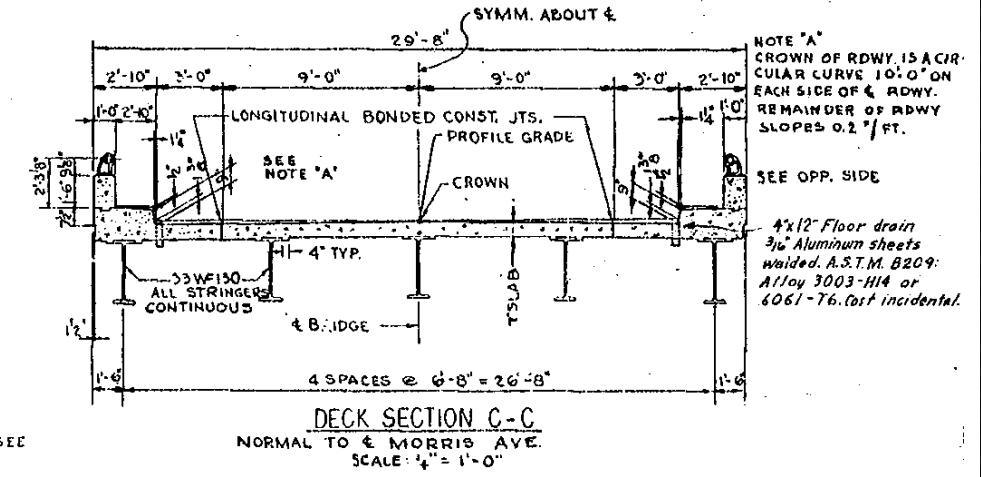
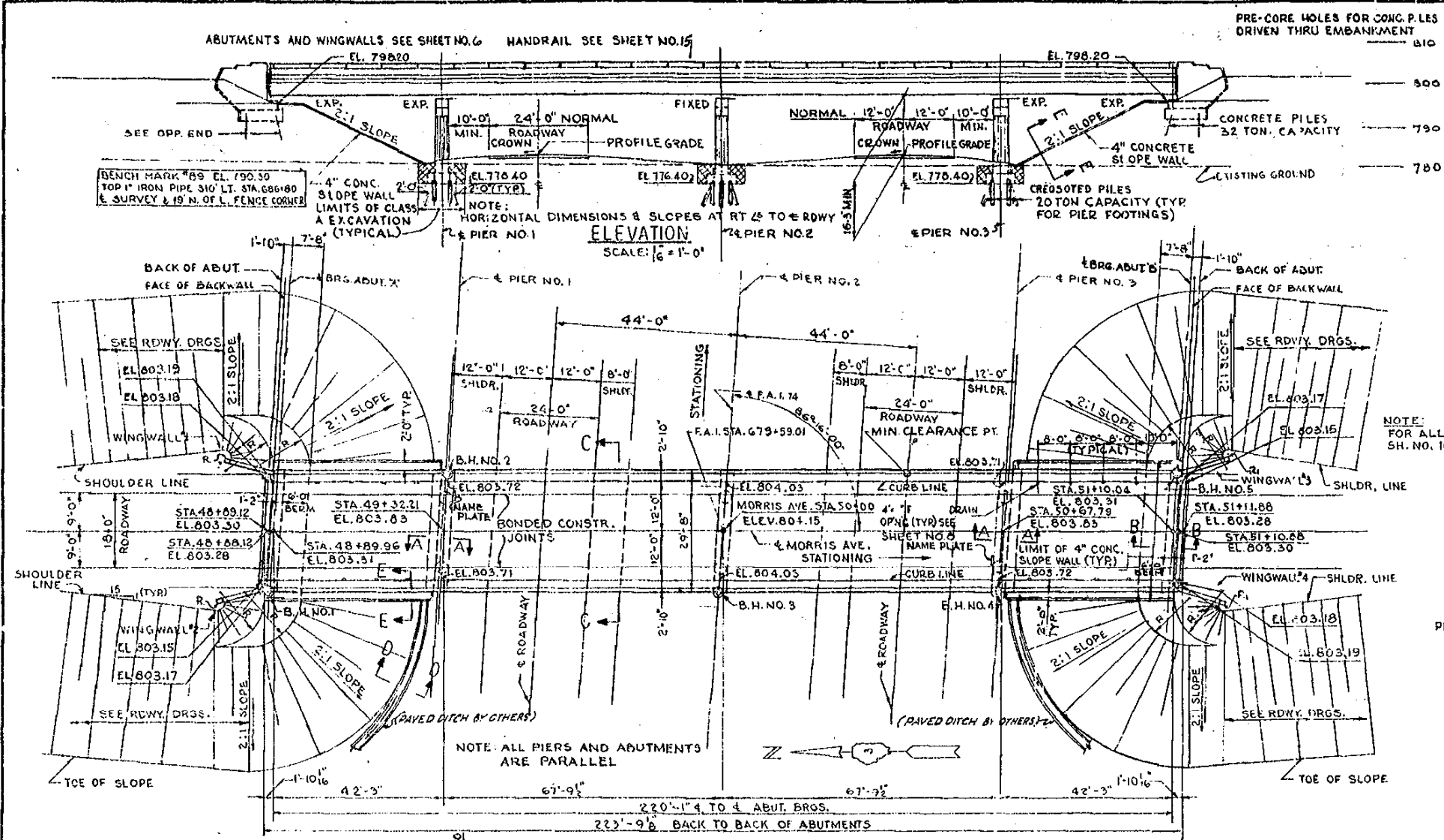


ROUTE NO.	SECTION	COUNTY	TOTAL SHEETS	SHEET NO.	SHEET NO. 1
F.A.I. 74	57-20	MCLEAN	33	7	10 SHEETS
FED. ROAD DIST. NO.	ILLINOIS	FED. AID PROJECT	1-74-519/235		



DESIGN LOADING: A.A.S.H.O. H15-S12

GENERAL PLAN & ELEVATION
 F.A.I. 74 SECTION 57-20HB-2
 F.A.I. 74 UNDER MORRIS AVE.
 MCLEAN COUNTY
 STATION 679+59.01
 SCALE: AS NOTED DATE:

DE LEUW, CATHER & CO., ENGINEERS
 DESIGNED BY Y.N. HUO
 DRAWN BY Y.N. HUO, S. LEVY
 CHECKED T. GANZ & R. G. MEIER
 IN CHARGE L.N. PIAN & A.F. MOREL

Rev. 4/11/63 VOS Rev. 4/16/63 File drain & 1st Change 2' P.I. for 1st Rev. Deck Slab to Cantilever Deck Slab.

FILE NAME =	USER NAME = cealockjd	DESIGNED -	REVISED -	STATE OF ILLINOIS DEPARTMENT OF TRANSPORTATION	EXISTING BRIDGE PLANS - INFORMATION ONLY	F.A.I. RTE.	SECTION	COUNTY	TOTAL SHEETS	SHEET NO.	
ce:\pwwork\p\p\1001\CEALOCKJD\dms83233\0570505-bridge.dgn		DRAWN -	REVISED -			74	57-20(I) & (57-4,5,6)RS-3	MCLEAN	160	97	
PLOT SCALE = 100.0000 / IN.		CHECKED -	REVISED -			CONTRACT NO. 70505					
PLOT DATE = 1/30/2009		DATE -	REVISED -			FED. ROAD DIST. NO. ILLINOIS FED. AID PROJECT					

S.N. 057-0116