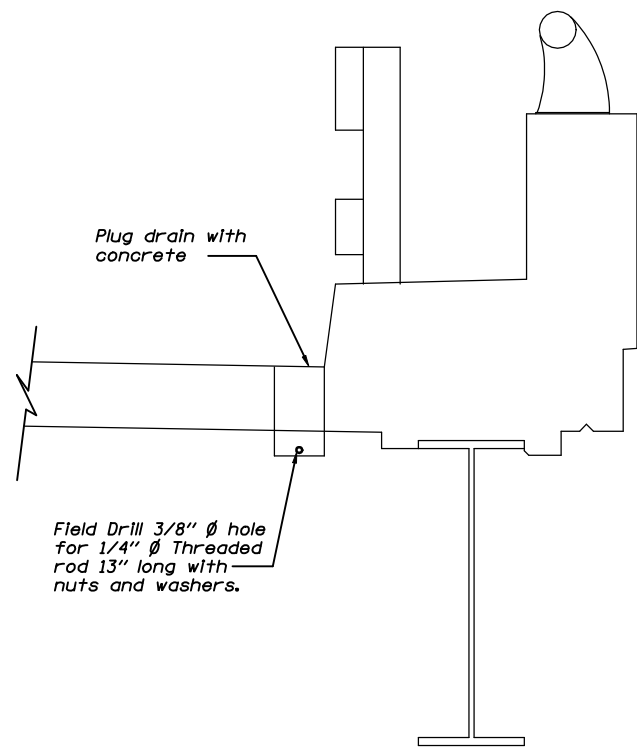
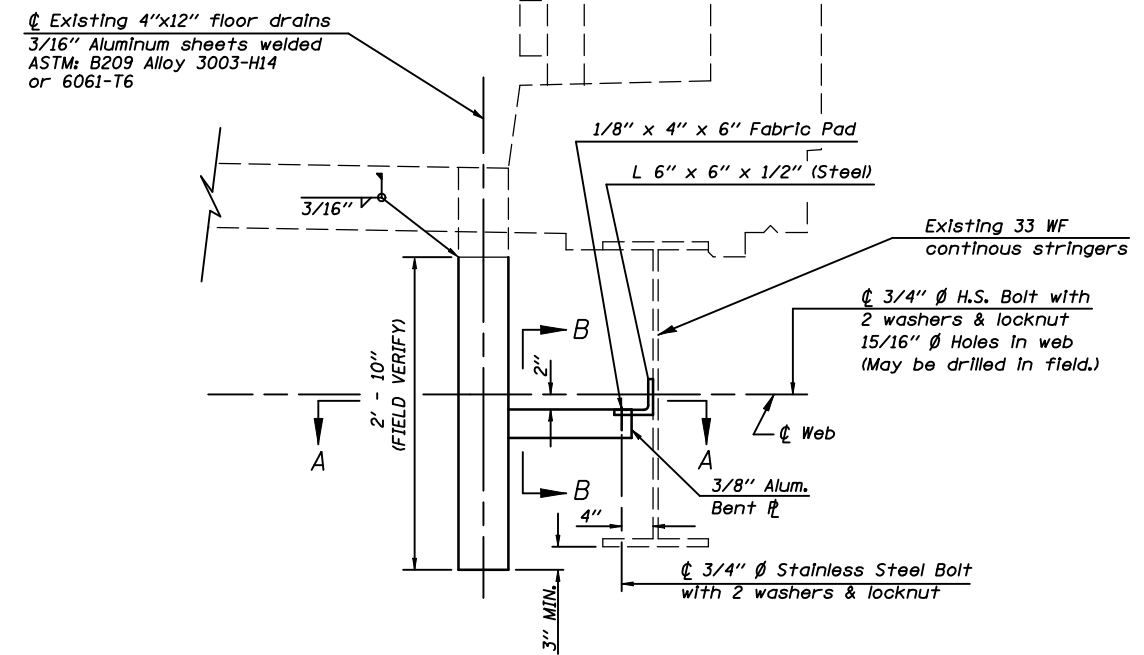


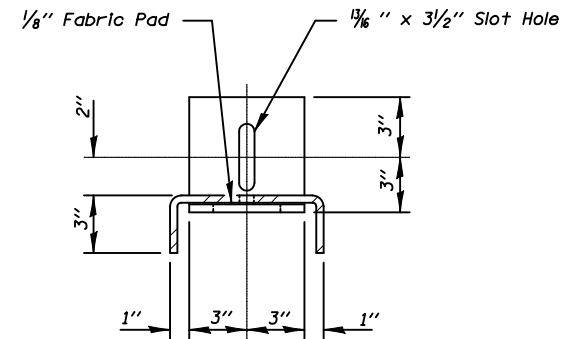
PLUG EXISTING DECK DRAINS



FLOOR DRAIN EXTENSION

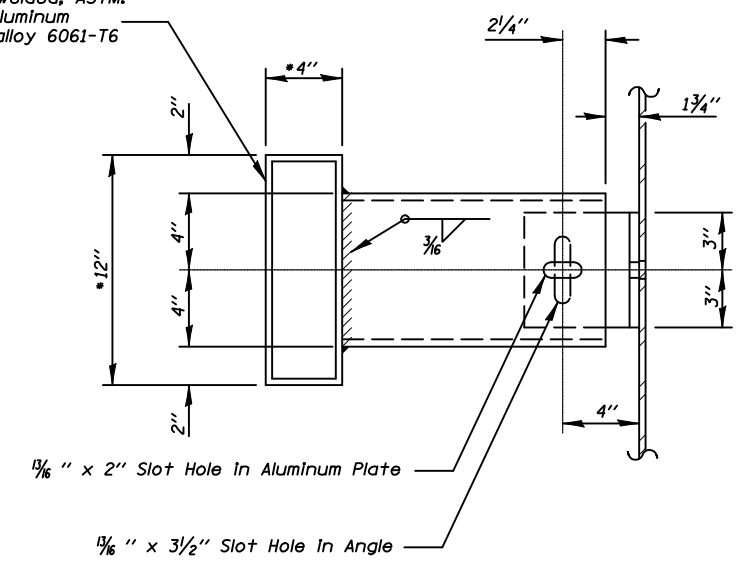


SECTION AT DRAIN



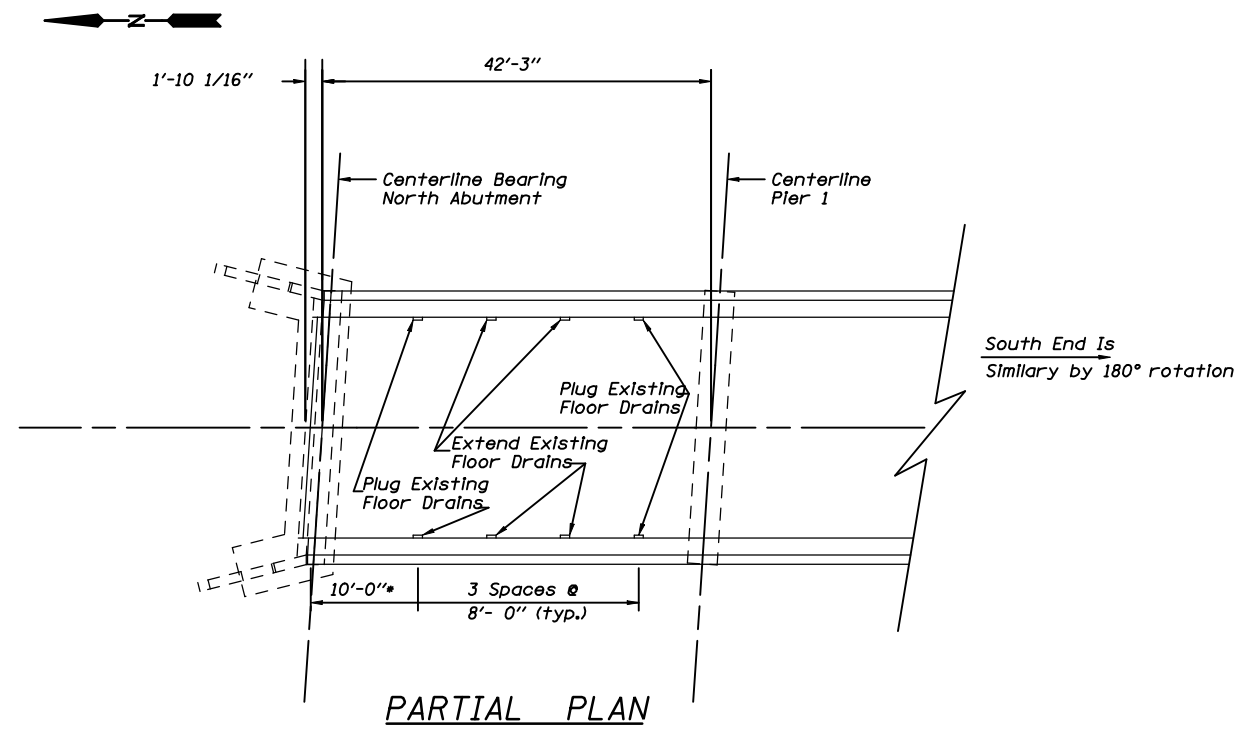
SECTION B-B

3/16" Aluminum sheets welded, ASTM: B209 alloy 6061-T6 or Aluminum Extrusions ASTM: B221 alloy 6061-T6



SECTION A - A

• Field Verify to match existing



PARTIAL PLAN

DESIGNED	JDA
CHECKED	JKC
DRAWN	JMM
CHECKED	JDA

NO.	DATE	BY	CHKD	APP
FAI 74		MCLEAN	160	96
REV.	DATE	BY	CHKD	APP

Sheet 4 of 4 Sheets

• 57-20(1) & (57-4,5,6)RS-3

CONTRACT NO. 70505

FLOOR DRAIN DETAILS
TR 210 (MORRIS AVE.) OVER F.A.I. ROUTE 74
SECTION 57-20(1) & (57-4,5,6)RS-3
MCLEAN COUNTY
SN 057-0116
STA. 679+59.01