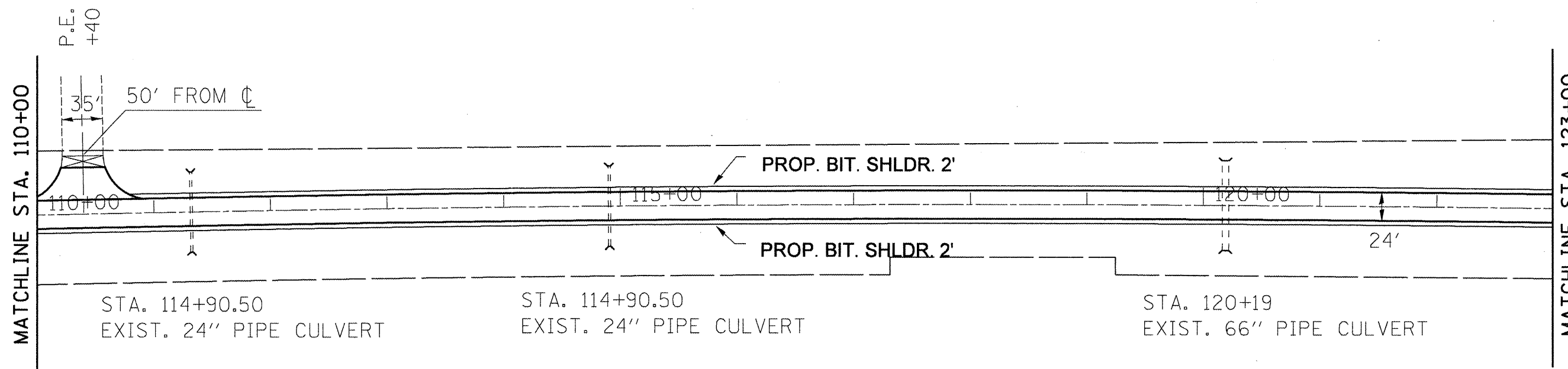


F.A.P. RTE.	SECTION	COUNTY	TOTAL SHEETS	SHEET NO.
22	*	FULTON	71	52
STA.		TO STA.		
FED. ROAD DIST. NO.	ILLINOIS	FED. AID PROJECT		
* 133RS-3;134RS-2;135RS-5				



PSCHIRRE ASPHALT



REVISIONS	
NAME	DATE

ILLINOIS DEPARTMENT OF TRANSPORTATION

**PLAN SHEET**

VERT. SCALE: HORIZ. DATE

DRAWN BY \_\_\_\_\_  
CHECKED BY \_\_\_\_\_

PLOT DATE = 2/18/2009  
FILE NAME = planbldg  
USER = 075871 / IN.  
USER NAME = wsharmon