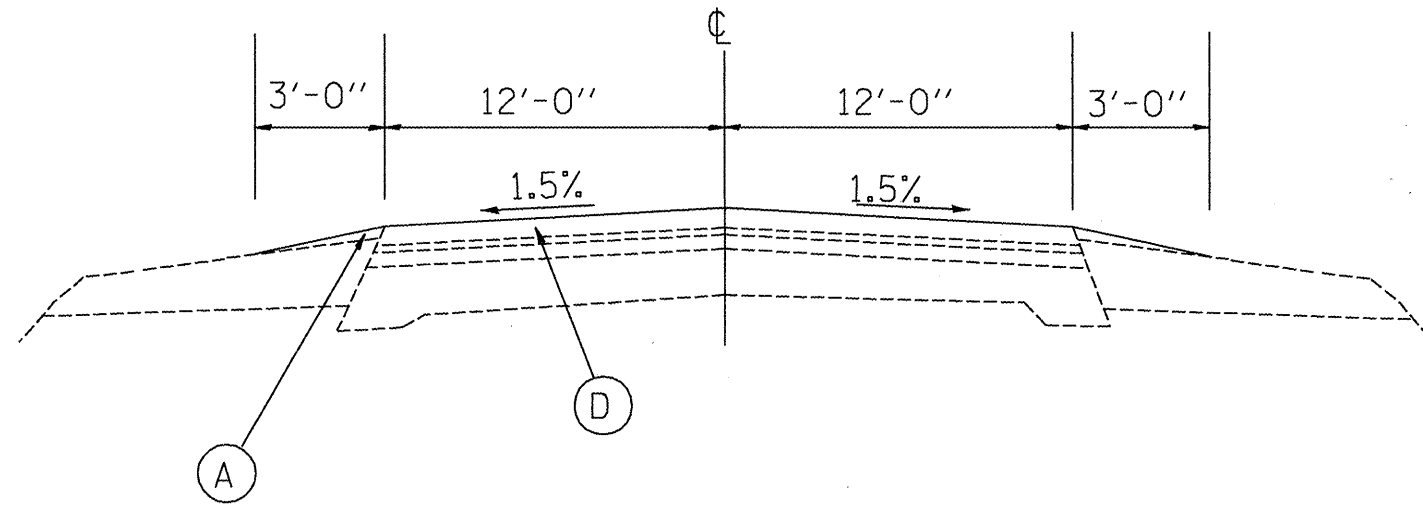


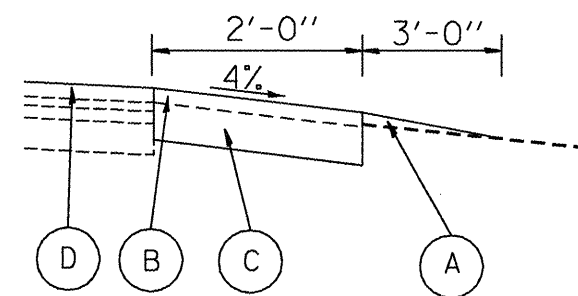
F.A.P. RTE.	SECTION	COUNTY	TOTAL SHEETS	SHEET NO.
22	*	FULTON	71	20
STA.		TO STA.		
FED. ROAD DIST. NO.		ILLINOIS	FED. AID PROJECT	
* 133RS-3;134RS-2;135RS-5				



STA 102+24 - STA 160+25

LEGEND

- (A) PROP AGGREGATE SHOULDERS, TYPE B, WEDGE
- (B) PROP HMA SHOULDERS, 8"
- (C) PROP EARTH EXCAVATION WIDENING, 8"
- (D) PROP HMA SURF CSE, MIX D, N50, 2"



RT STA 239+30 - 261+79
 RT STA 298+52 - 314+87
 RT & LT STA 315+38 - 160+25

REVISIONS	
NAME	DATE

ILLINOIS DEPARTMENT OF TRANSPORTATION

IL 78 PROPOSED
 TYPICAL SECTIONS

SCALE: VERT.
 HORIZ.
 DATE

DRAWN BY
 CHECKED BY