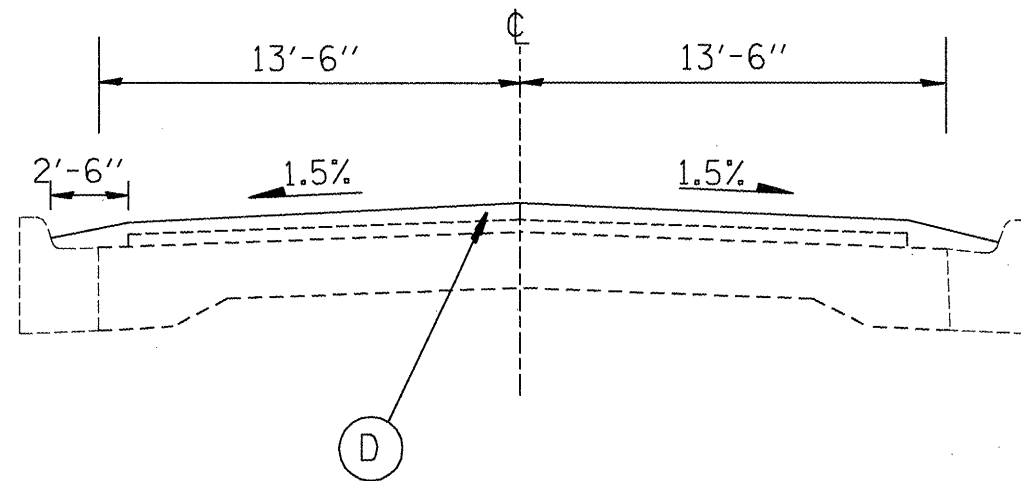
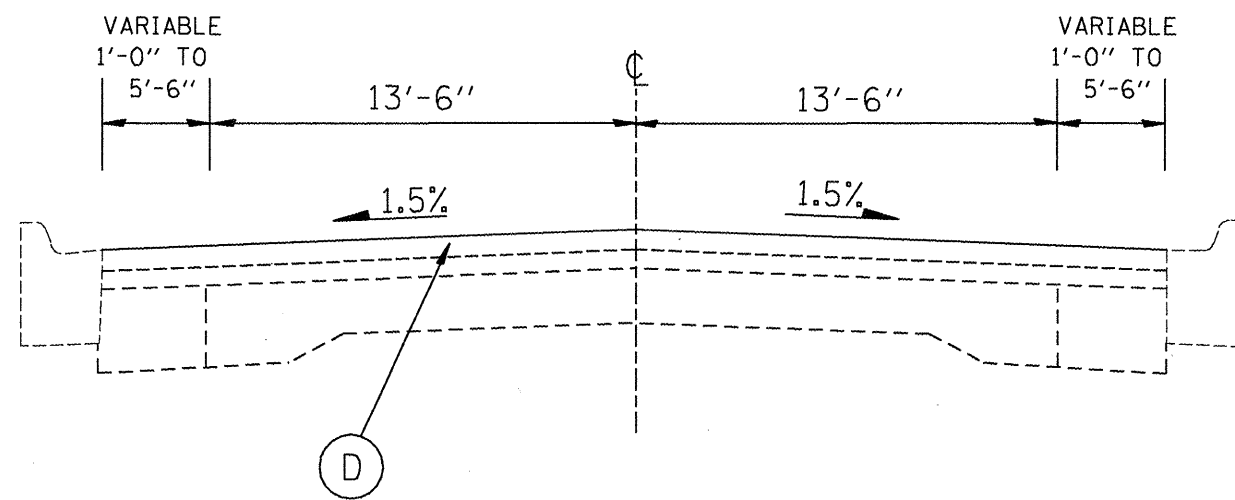


F.A.P. RTE.	SECTION	COUNTY	TOTAL SHEETS	SHEET NO.
22	*	FULTON	71	15
STA.		TO STA.		
FED. ROAD DIST. NO.		ILLINOIS	FED. AID PROJECT	
* 133RS-3;134RS-2;135RS-5				



STA 31+83 TO STA 34+87

FARMINGTON



STA 34+87 TO STA 36+09.50

FARMINGTON

LEGEND

- (A) PROP AGGREGATE SHOULDERS, TYPE B, WEDGE
- (B) PROP HMA SHOULDERS, 8"
- (C) PROP EARTH EXCAVATION WIDENING, 8"
- (D) PROP HMA SURF CSE, MIX D, N50, 2"

REVISIONS	
NAME	DATE

ILLINOIS DEPARTMENT OF TRANSPORTATION

IL 78 PROPOSED
TYPICAL SECTIONS

SCALE: VERT.
DATE: HORIZ.

DRAWN BY
CHECKED BY