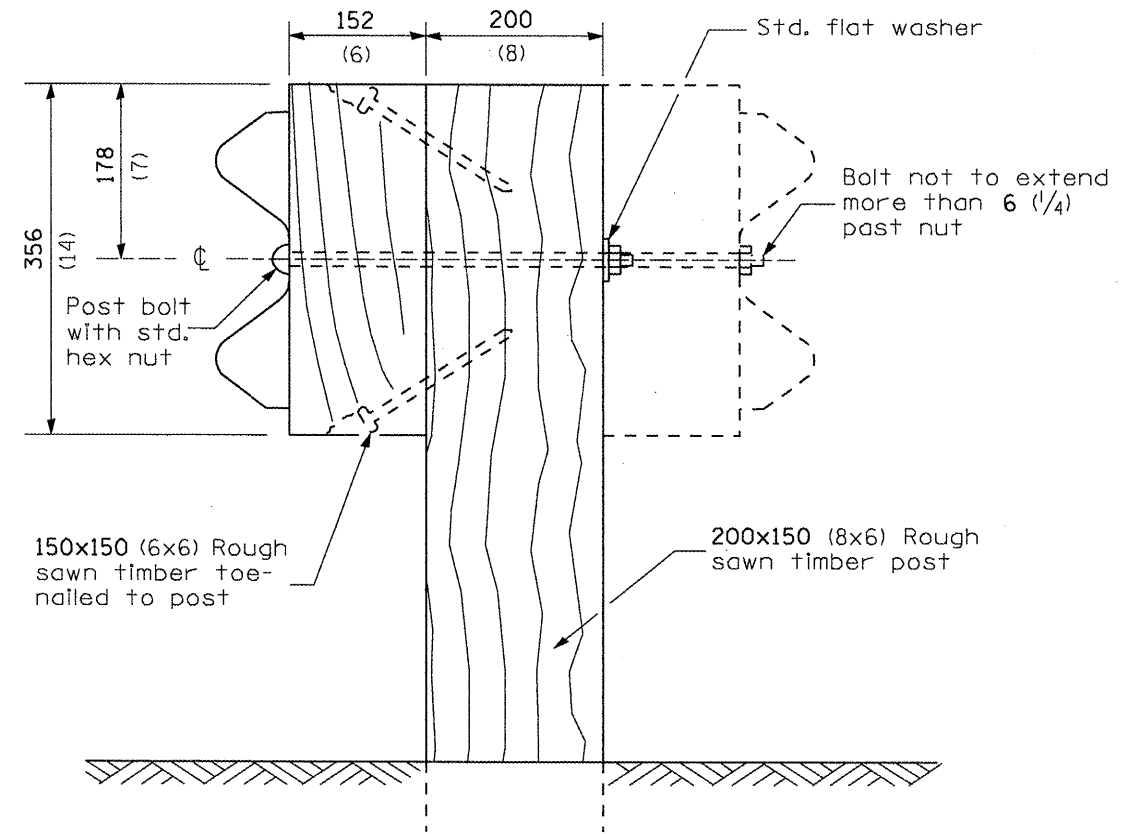
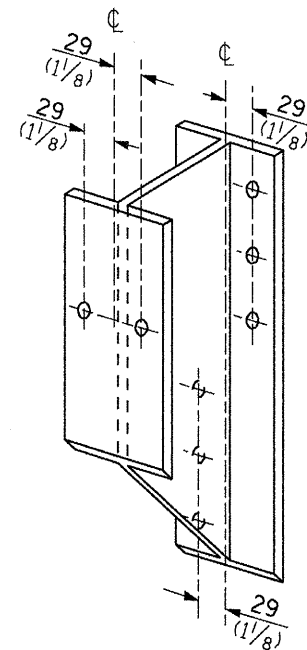


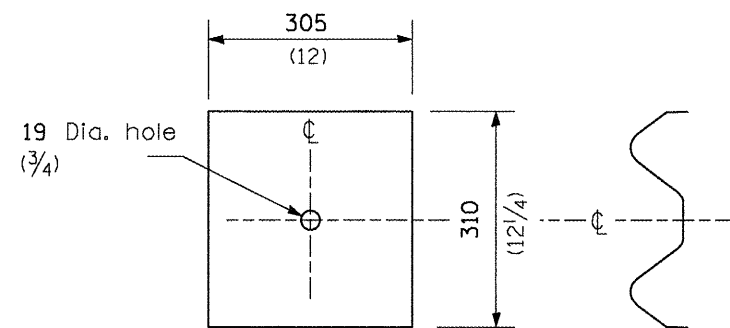
**STEEL POST CONSTRUCTION**



**WOOD POST CONSTRUCTION**



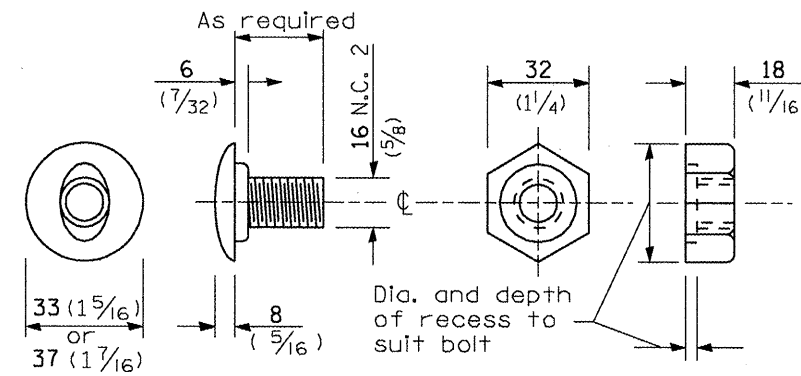
**STEEL BLOCK-OUT DETAIL**



NOTE

Plate A shall be placed between rail element and block-out at non-splice mounting points only when steel block-outs are used.

**PLATE A**



**POST OR SPLICE BOLT & NUT**

**GENERAL NOTES**

All slope ratios are expressed as units of vertical displacement to units of horizontal displacement (V:H).

All dimensions are in millimeters (inches) unless otherwise shown.

FILE NAME =	USER NAME = kilmanck
1-74 Morton General File.dgn	
PLOT SCALE = 100.0000 ' / IN.	
PLOT DATE = 2/11/2009	

DESIGNED -	REVISD -
DRAWN -	REVISD -
CHECKED -	REVISD -
DATE -	REVISD -

**STATE OF ILLINOIS  
DEPARTMENT OF TRANSPORTATION**

**STEEL PLATE BEAM GUARDRAIL  
(SPECIAL) DETAIL**

NOT TO SCALE SHEET NO. 2 OF 4 SHEETS

F.A.I. RTE.	SECTION	COUNTY	TOTAL SHEETS	SHEET NO.
74	(90-15IRS-3)	TAZEWELL	60	46
<b>CONTRACT NO. 68508</b>				
ILLINOIS FED. AID PROJECT				