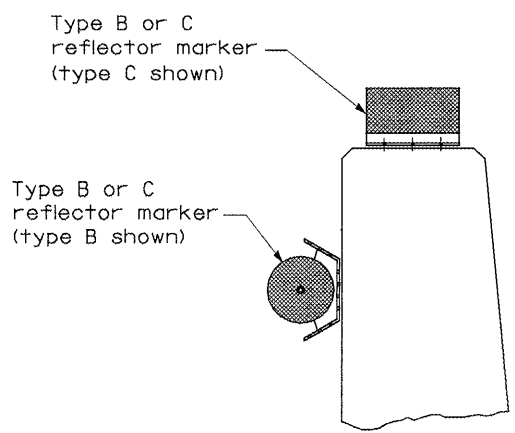
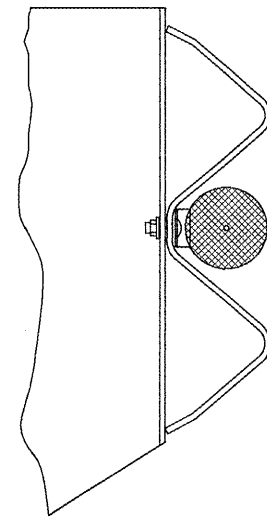
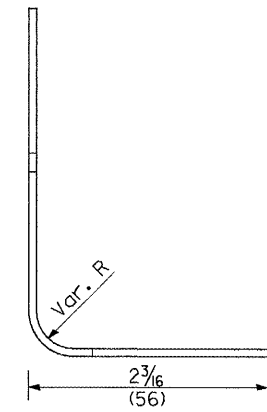
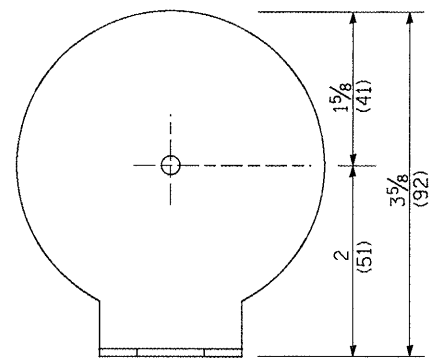
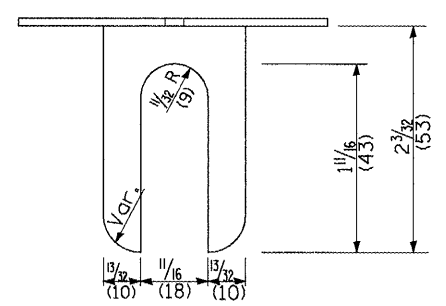


TYPICAL MOUNTING DETAIL FOR BRIDGE RAIL REFLECTOR

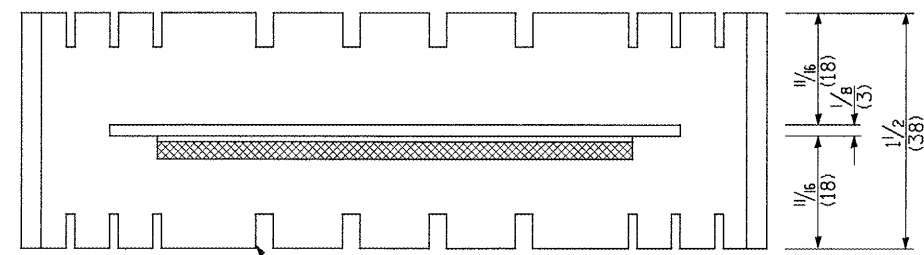


TYPICAL MOUNTING DETAIL FOR BARRIER WALL REFLECTOR

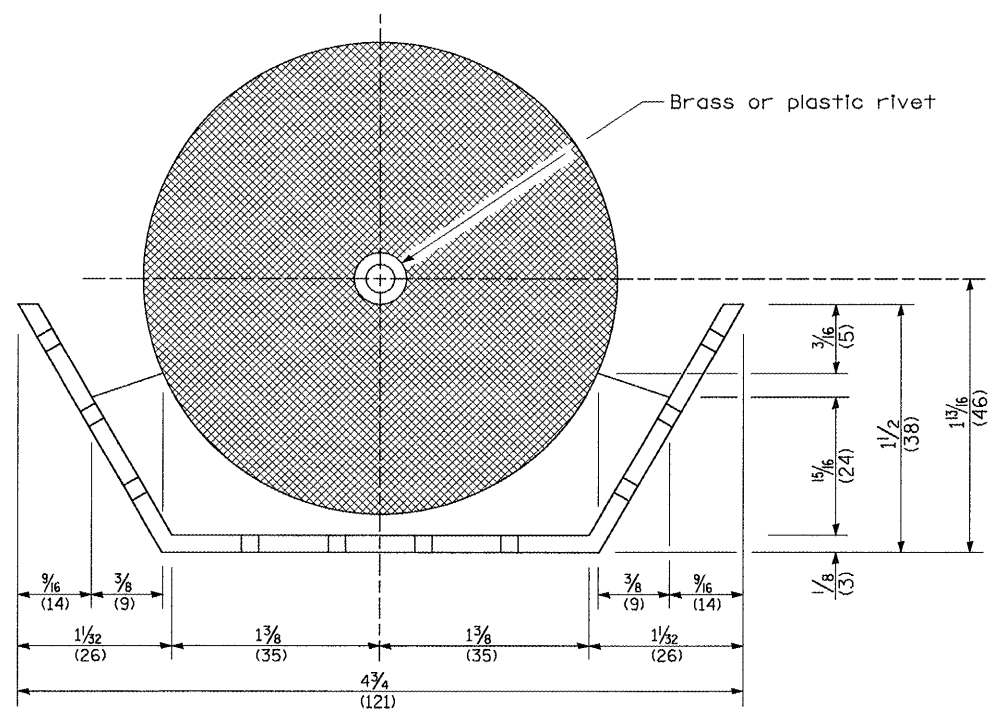
REFLECTOR MOUNTING



TYPICAL GUARDRAIL MOUNTING WITH REFLECTOR MARKER TYPE A



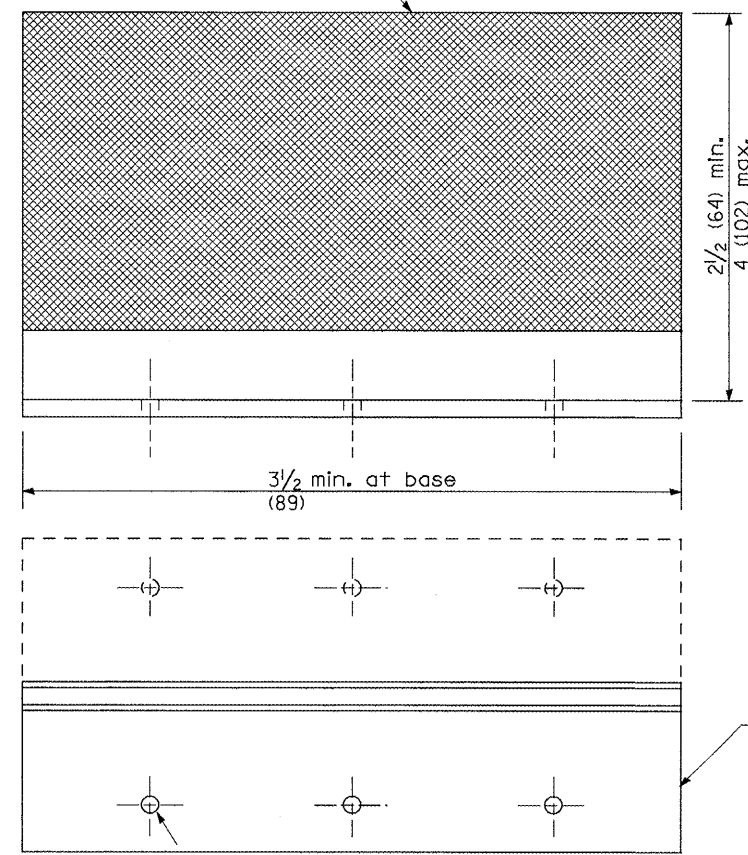
Adhesive weep slots or holes equally spaced on both sides



REFLECTOR MARKER TYPE B

Min. reflective area 6 1/2 sq. in. (4,194 mm²) each side. May be rectangular or slight trapezoid.

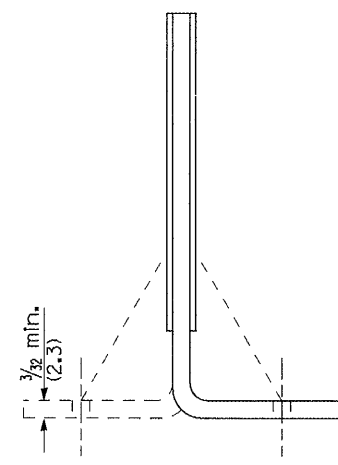
REFLECTOR MARKER TYPE A



3 min. adhesive weep holes or slots each side, variable spacing.

REFLECTOR MARKER TYPE C

Minimum total area of base 7.0 Sq. in. (4,516 mm²)



Cross section may be "T" or "L" shaped and may have side supports at ends.

REFLECTORS

All dimensions are in inches (millimeters) unless otherwise noted.

F.A.I. RTE.	SECTION	COUNTY	TOTAL SHEETS	SHEET NO.
74	72[5RS-2,5B-1p6RS-1]	PEORIA	59	57
CONTRACT NO. 68391				
FED. ROAD DIST. NO.		[ILLINOIS] FED. AID PROJECT		