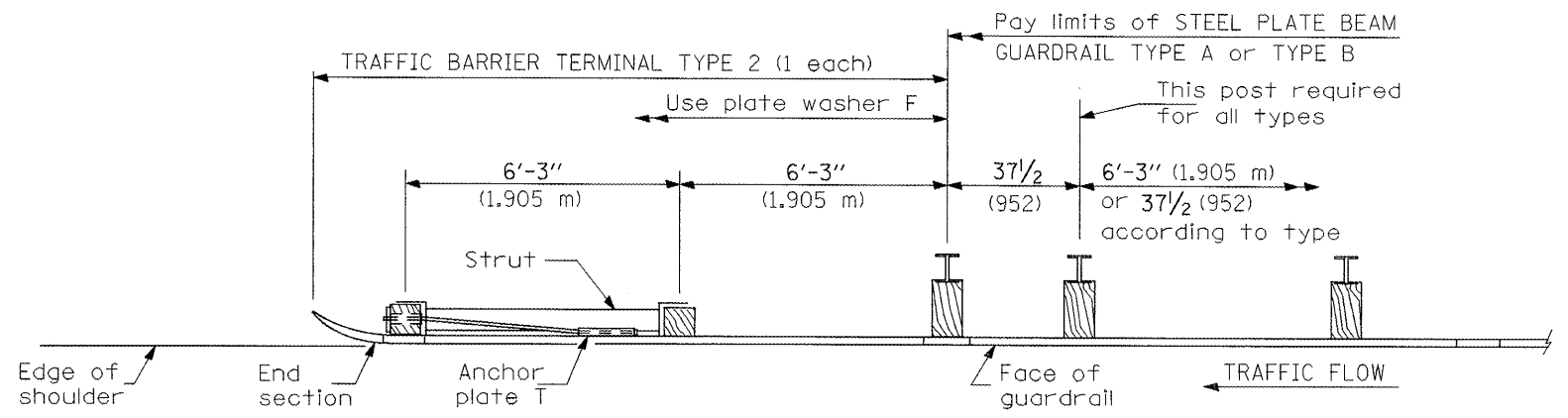
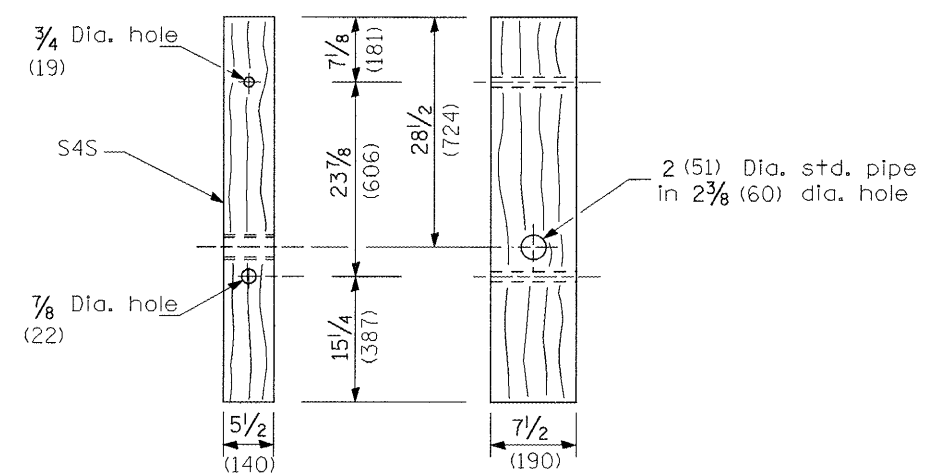


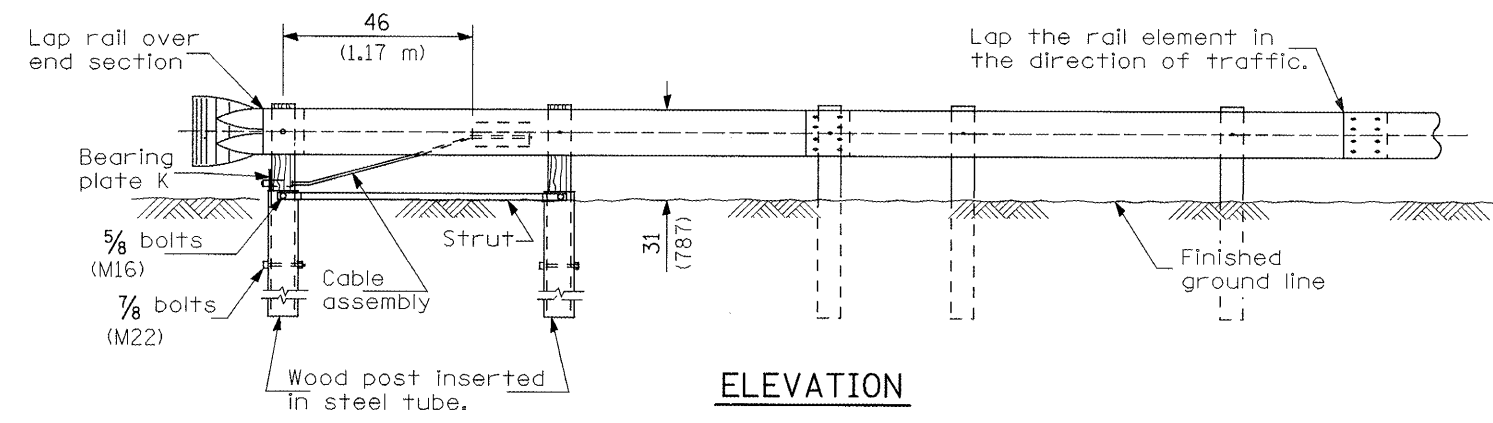
BEARING PLATE K



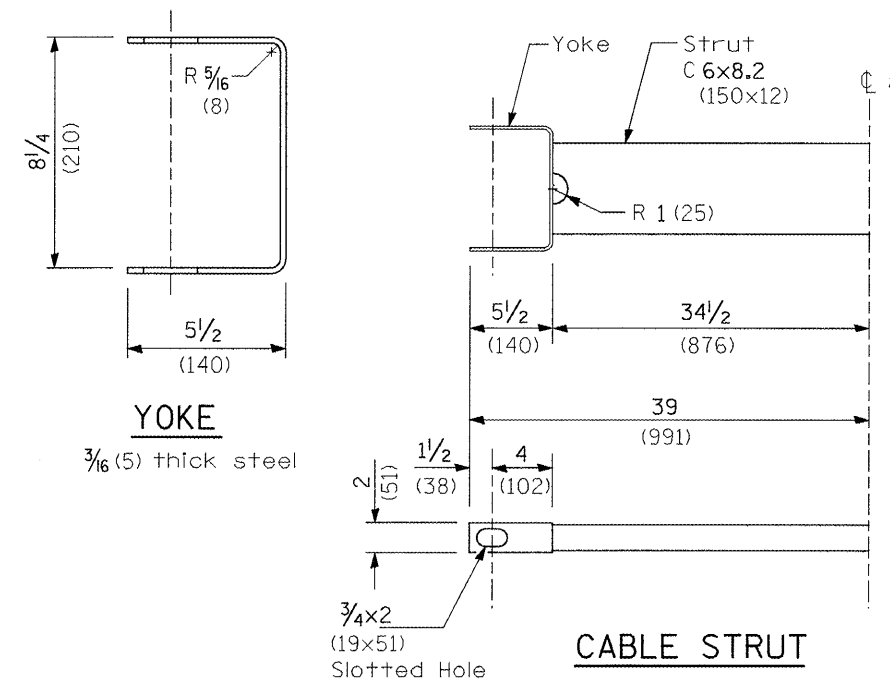
PLAN



WOOD POST

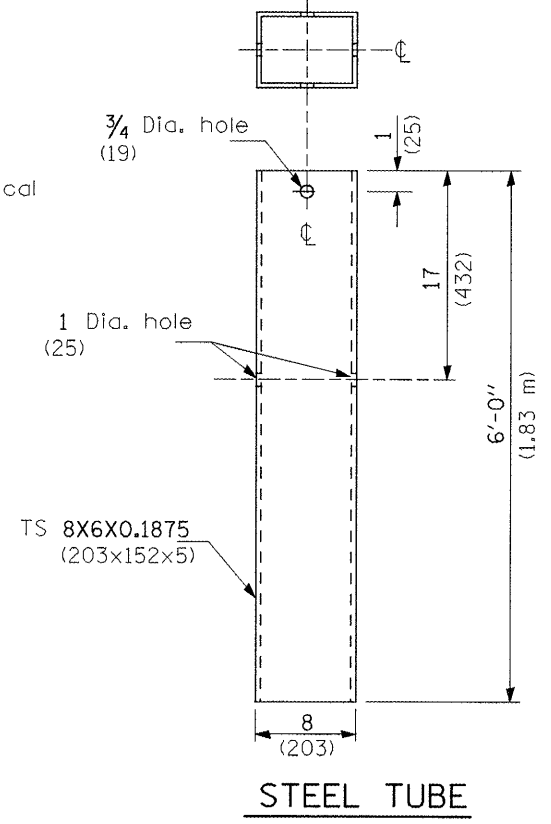


ELEVATION



YOKE

CABLE STRUT



STEEL TUBE

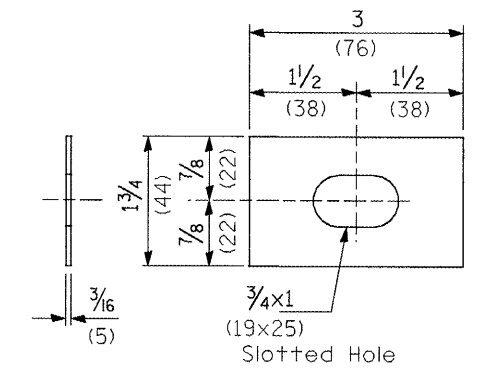


PLATE WASHER F

GENERAL NOTES

See Standard 630001 for details of guardrail not shown.
The bearing plate K shall be held in position by (2) two eight penny nails driven into the post and bent over the top of the plate.

03-01-07	NEW DETAIL	RJD			
----------	------------	-----	--	--	--

**STATE OF ILLINOIS
DEPARTMENT OF TRANSPORTATION**

TRAFFIC BARRIER TERMINAL, TYPE 2
NOT TO SCALE
CADD STD. 631011-D4

F.A.I. RTE.	SECTION	COUNTY	TOTAL SHEETS	SHEET NO.
74	72(CRS-2,5B-1,6RS-1)	PEORIA	59	53
CONTRACT NO. 68391			FED. ROAD DIST. NO. ILLINOIS FED. AID PROJECT	

All dimensions are in Inches (millimeters) unless otherwise noted.