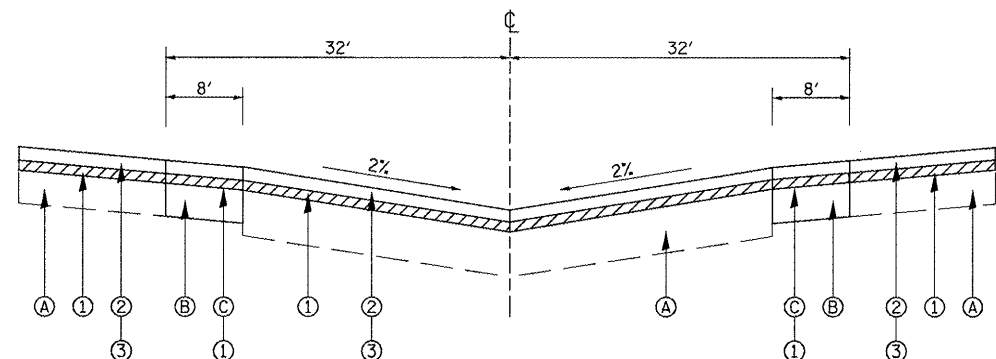
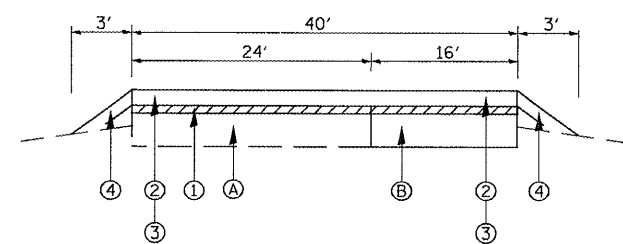


MEDIAN TURNAROUND DETAIL
 STA. 63+42
 STA. 215+35



SECTION A-A



SECTION C-C

LEGEND

- (A) EXISTING PAVEMENT
- (B) EXISTING BITUMINOUS WIDENING
- (C) EXISTING BITUMINOUS SHOULDERS
- (1) PROPOSED HOT-MIX ASPHALT SURFACE REMOVAL 2"
- (2) PROPOSED POLYMERIZED HOT-MIX ASPHALT BINDER CSE. 2-1/4"
- (3) PROPOSED POLYMERIZED HOT-MIX ASPHALT SURFACE CSE. 1-1/2"
- (4) PROPOSED AGGREGATE SHOULDER, TYPE B

NOTES

1) OMIT RUMBLE STRIPS ON SHOULDERS WITHIN THESE LIMITS.

FILE NAME = Plan Sheets.dgn	USER NAME = toreja	DESIGNED -	REVISED -	STATE OF ILLINOIS DEPARTMENT OF TRANSPORTATION	MEDIAN TURNAROUND DETAIL		F.A.I. RTE. 74	SECTION 72[5RS-2,5B-1]6RS-1J	COUNTY PEORIA	TOTAL SHEETS 59	SHEET NO. 42	
	PLOT SCALE = 100.0000' / IN.	DRAWN -	REVISED -		SCALE:	SHEET NO. 1 OF 1 SHEETS	STA.	TO STA.	CONTRACT NO. 68391			
	PLOT DATE = 2/13/2009	CHECKED -	REVISED -		ILLINOIS FED. AID PROJECT							
		DATE -	REVISED -									